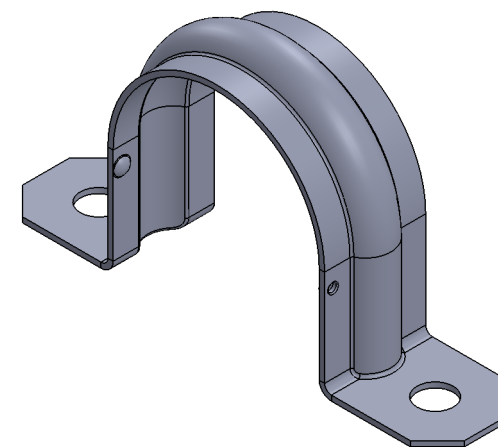
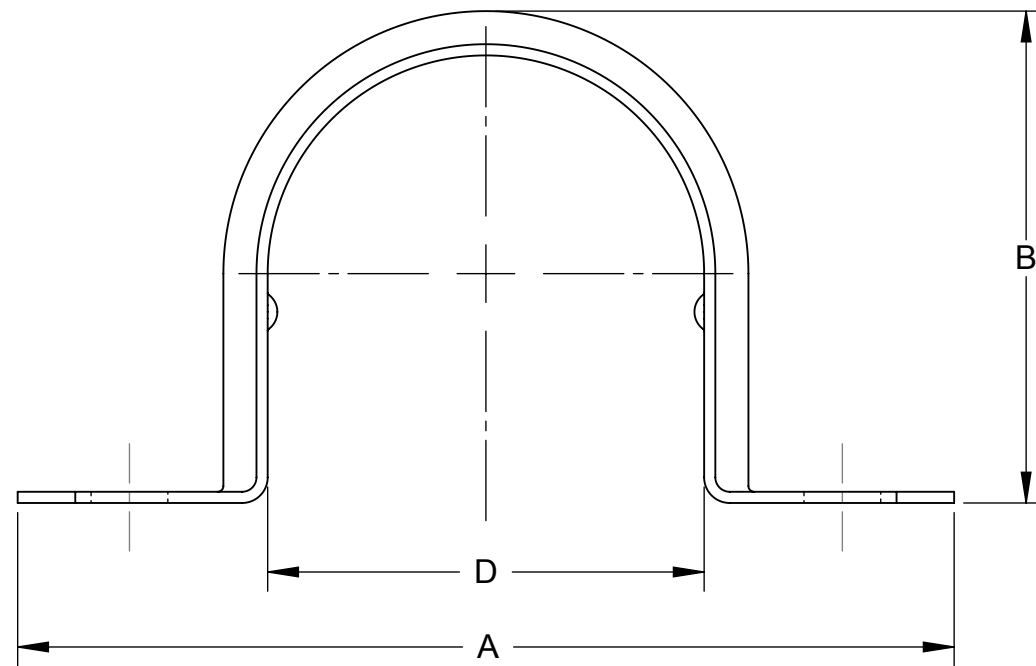
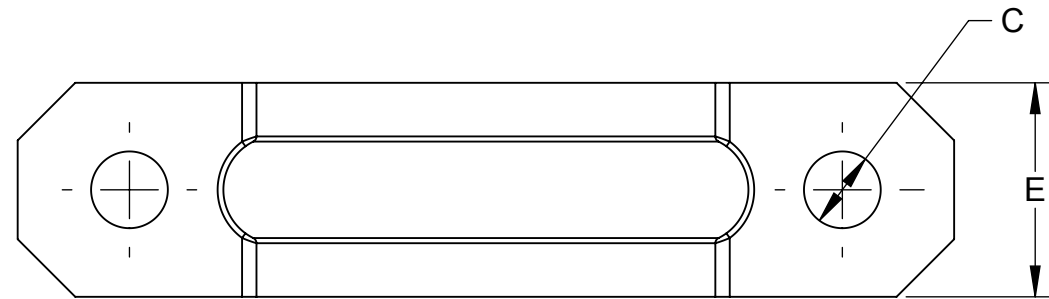


CAT NO.	TRADE SIZE	A	B	C	D	E
2092	1/2"	1.95 [49.5]	0.72 [18.3]	0.18 [4.5]	0.67 [17.0]	0.54 [13.8]
2093	3/4"	2.23 [56.7]	1.02 [25.6]	0.19 [4.8]	0.90 [22.8]	0.58 [14.8]
2094	1"	2.80 [71.1]	1.29 [32.9]	0.27 [6.9]	1.16 [29.5]	0.69 [17.5]
2095	1-1/4"	3.25 [82.55]	1.66 [42.16]	0.27 [6.8]	1.52 [38.6]	.74 [18.8]
2096	1-1/2"	3.88 [98.6]	1.84 [46.8]	0.27 [6.9]	1.78 [45.2]	0.86 [21.8]
2098	2"	4.81 [122.2]	2.36 [59.9]	0.39 [9.9]	2.25 [57.2]	0.98 [24.9]



- NOTES:
- ALL DIMENSIONS ARE IN INCHES AND [MILLIMETERS].
 - 2092,2093 AND 2095 ARE cULus LISTED.

LIST OF PARTS		
DESCRIPTION	MATERIAL	FINISH
EMT TWO HOLE STRAPS	STEEL	GALVANIZED

INITIAL RELEASE	M.S	07-14-15
SYM.	REVISION DESCRIPTION	APP DATE

THE DESIGN AND DIMENSIONS OF THE PRODUCT SHOWN ON THIS DRAWING ARE SUBJECT TO CHANGE WITHOUT NOTICE

TITLE:
EMT TWO HOLE STRAPS

<small>TOLERANCE UNLESS OTHERWISE SPECIFIED</small> .XX DECIMAL ±.015 .XXX DECIMAL ±.005 ANGLE ±2°	RACO South Bend, Indiana		SCALE: 1:1
	DRAWN BY:	M.S	
	APP. BY:	X.X.	
DATE:	07/09/2015		

FILE NO. : EMT TWO HOLE STRAPS CUS
 DIMENSION SHEET FOR CAT. NO.
SEE CHART
 SIZE: **B**