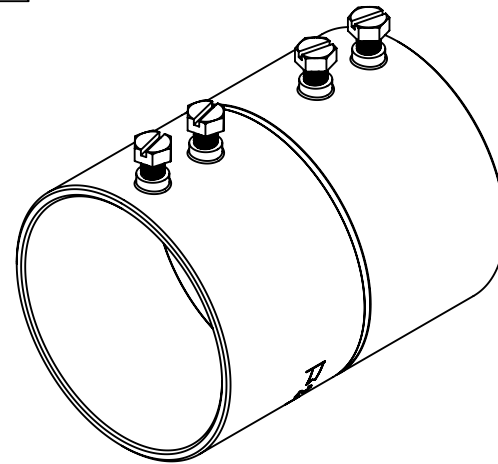


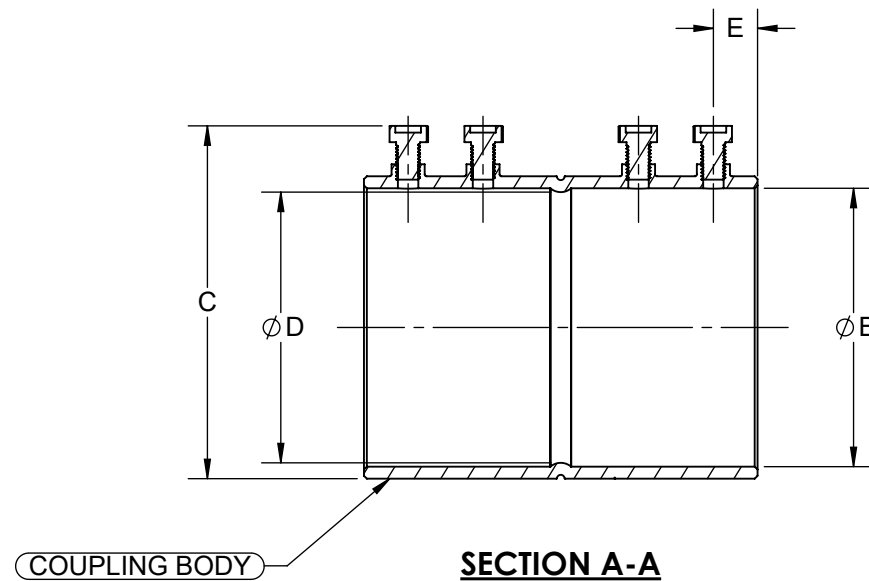
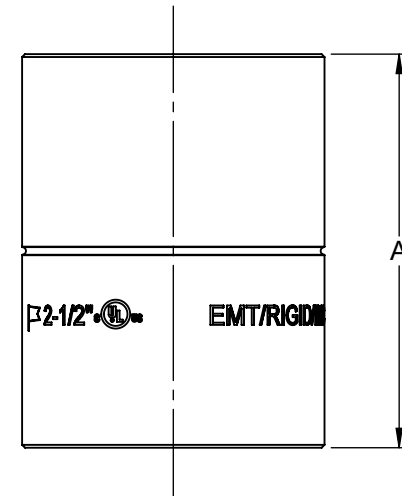
CAT. #	SIZE	A	B	C	D	E	F	UNS/UNF THREAD
2150	2-1/2"	4.10 [104.1]	2.90 [73.7]	3.67 [93.2]	2.82 [71.6]	0.46 [11.7]	3.15 [80.0]	1/4-24 UNS
2152	3"	4.38 [111.1]	3.54 [90.0]	4.29 [108.9]	3.50 [89.0]	0.48 [12.2]	3.79 [96.1]	1/4-24 UNS
2154	3-1/2"	4.57 [116.0]	4.04 [102.6]	4.69 [119.1]	4.00 [101.5]	0.48 [12.2]	4.28 [108.7]	1/4-24 UNS
2156	4"	4.72 [119.9]	4.53 [115.1]	5.21 [132.3]	4.49 [114.0]	0.44 [11.2]	4.78 [121.4]	1/4-24 UNS

REVISIONS			
REV.	DATE	DESCRIPTION	BY:
-	07-22-21	INITIAL RELEASE OF DRAWING	VS

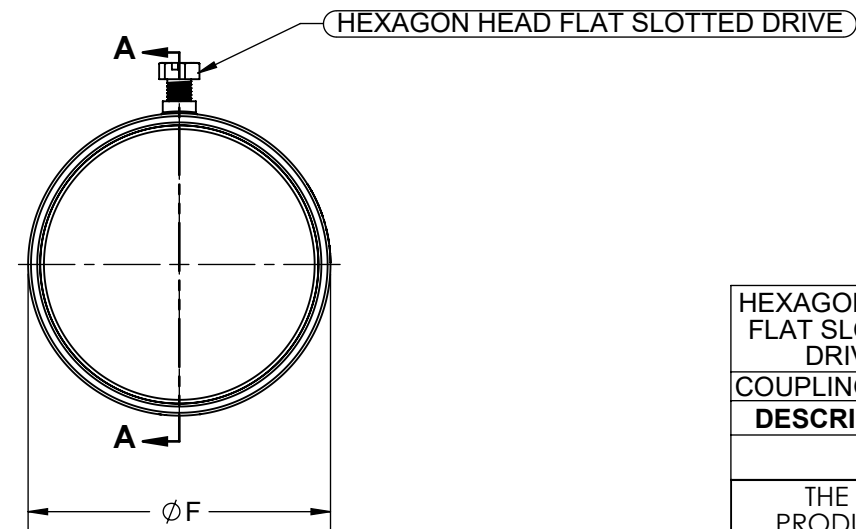
FILE NO.:
SET SCREW COUPLING-STEEL 2.50 to 4.00 CUS



ISOMETRIC VIEW



SECTION A-A



HEXAGON HEAD FLAT SLOTTED DRIVE	STEEL	ZINC
COUPLING BODY	STEEL	ZINC
DESCRIPTION	MATERIAL	FINISH

LIST OF PARTS

THE DESIGN AND DIMENSIONS OF THE PRODUCT SHOWN ON THIS DRAWING ARE SUBJECT TO CHANGE WITHOUT NOTICE

TITLE:
SET SCREW COUPLING-STEEL 2.50 to 4.00 CUS

TOLERANCE UNLESS OTHERWISE SPECIFIED
.XX DECIMAL ±.015
.XXX DECIMAL ±.005
ANGLE ±2°



DRAWN BY: VS
APP. BY: N.S.
DATE: 07-22-21

SCALE: 1:2
SIZE: B

NOTES:

- ALL DIMENSIONS ARE IN INCHES AND [MILLIMETERS].
- cULus LISTED.

DIMENSION SHEET FOR CAT. NO.
SEE CHART

1 1/4" x 1 1/4"