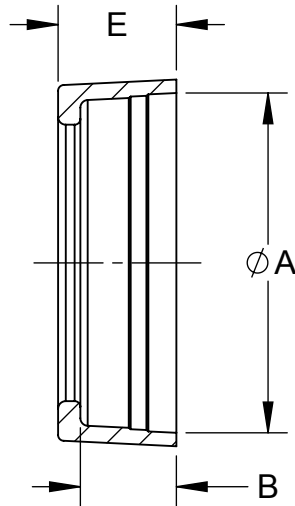
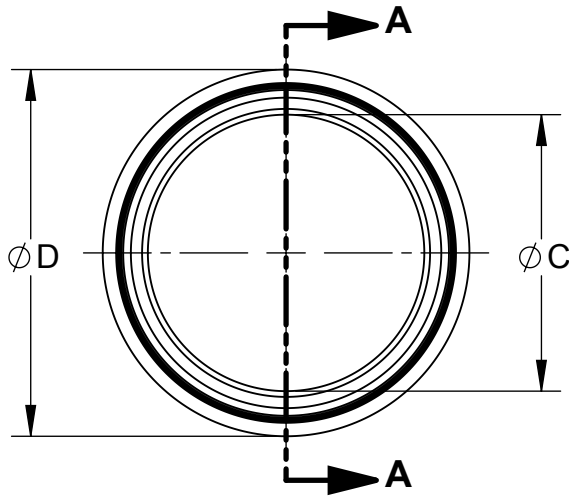
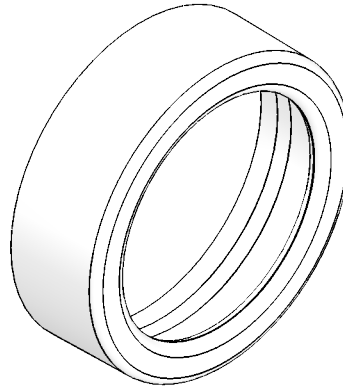


CAT.	SIZE	A	B	C	D	E
2172RAC	1/2"	0.72 [18.3]	0.41 [10.4]	0.56 [14.2]	0.84 [21.3]	0.54 [13.7]
2173RAC	3/4"	0.93 [23.6]	0.40 [10.2]	0.74 [18.8]	1.05 [26.7]	0.53 [13.5]
2174RAC	1"	1.18 [30]	0.50 [12.7]	0.96 [24.4]	1.30 [33]	0.64 [16.3]
2175RAC	1-1/4"	1.53 [38.9]	0.50 [12.7]	1.24 [31.5]	1.65 [41.9]	0.63 [16]
2176RAC	1-1/2"	1.77 [45]	0.49 [12.4]	1.44 [36.6]	1.91 [48.5]	0.62 [15.7]
2178RAC	2"	2.22 [56.4]	0.50 [12.7]	1.90 [48.3]	2.38 [60.5]	0.63 [16]
2180RAC	2-1/2"	2.93 [74.4]	1.11 [28.2]	2.24 [56.9]	3.05 [77.5]	1.23 [31.2]
2182RAC	3"	3.54 [89.9]	1.11 [28.2]	3.57 [90.7]	3.70 [94]	1.23 [31.2]
2184RAC	3-1/2"	4.04 [102.6]	1.11 [28.2]	4.07 [103.4]	4.21 [106.9]	1.24 [31.5]
2186RAC	4"	4.54 [115.3]	1.09 [27.7]	4.56 [115.8]	4.80 [121.9]	1.23 [31.2]



SECTION A-A

NOTES:

ALL DIMENSIONS ARE IN INCHES AND [MILLIMETERS].

LIST OF PARTS

DESCRIPTION	MATERIAL	FINISH
EMT INSULATING BUSHING	POLYETHYLENE	WHITE

EMT INSULATING BUSHING CUS

	INITIAL RELEASE	S.J.	02/01/2017
SYM.	REVISION DESCRIPTION	APP	DATE

THE DESIGN AND DIMENSIONS OF THE PRODUCT SHOWN ON THIS DRAWING ARE SUBJECT TO CHANGE WITHOUT NOTICE

TITLE:

EMT INSULATING BUSHINGS

TOLERANCE UNLESS OTHERWISE SPECIFIED

.XX DECIMAL \pm .015
.XXX DECIMAL \pm .005
ANGLE \pm 2°

RACO
South Bend, Indiana

DRAWN BY:

S.K

SCALE:

APP. BY:

S.J

1:1

DATE:

02/01/2017

SEE CHART

DIMENSION SHEET FOR CAT. NO.

SIZE:

A