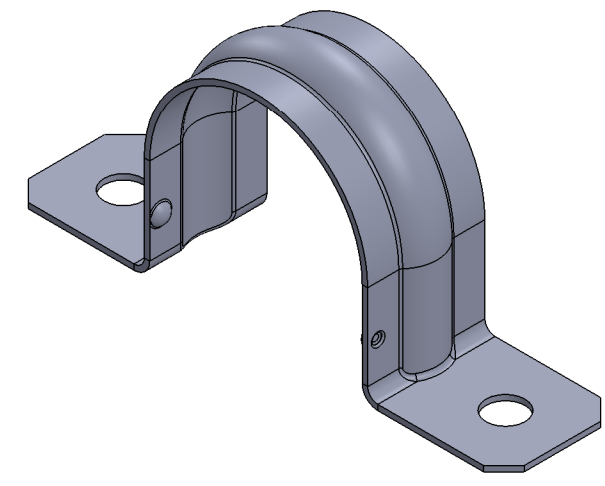
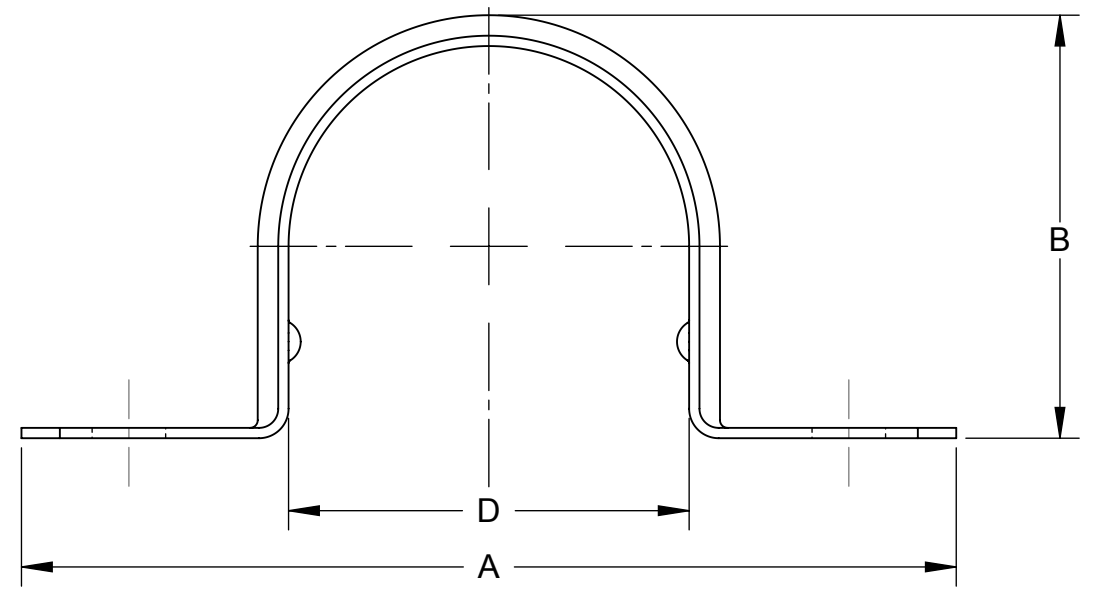
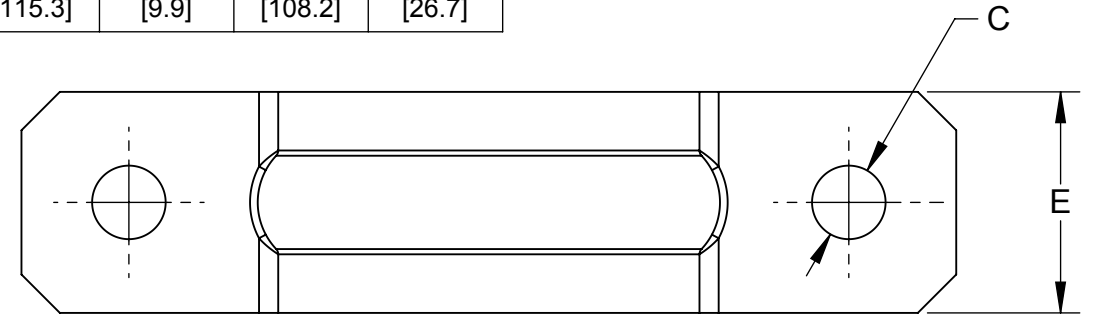


CAT NO.	TRADE SIZE	A	B	C	D	E
2232	1/2"	2.17 [55.1]	0.92 [23.4]	0.19 [4.9]	0.84 [21.4]	0.59 [15.0]
2233	3/4"	2.43 [61.7]	1.12 [28.4]	0.19 [4.9]	1.04 [26.4]	0.58 [14.7]
2234	1"	3.10 [78.7]	1.47 [37.3]	0.27 [6.9]	1.31 [33.3]	0.76 [19.3]
2235	1-1/4"	3.67 [93.2]	1.72 [43.7]	0.26 [6.6]	1.65 [41.9]	0.75 [19.1]
2236	1-1/2"	3.88 [98.6]	1.96 [49.8]	0.26 [6.6]	1.82 [46.2]	0.90 [22.9]
2238	2"	5.01 [127.3]	2.42 [61.5]	0.38 [9.7]	2.32 [58.9]	0.94 [23.9]
2239	2-1/2"	6.01 [152.7]	2.84 [72.1]	0.39 [9.9]	2.65 [67.3]	1.09 [27.7]
2240	3"	6.90 [175.3]	3.50 [88.9]	0.39 [10]	3.30 [83.8]	1.08 [27.4]
2241	3-1/2"	6.97 [177.0]	4.08 [103.6]	.47 [12.0]	4.00 [101.5]	1.10 [28.0]
2242	4"	7.09 [180.1]	4.54 [115.3]	0.39 [9.9]	4.26 [108.2]	1.05 [26.7]



LIST OF PARTS		
DESCRIPTION	MATERIAL	FINISH
RIGID TWO HOLE STRAPS	STEEL	GALVANIZED

SYM.	REVISION DESCRIPTION	APP	DATE
	INITIAL RELEASE	M.S	07-14-15

THE DESIGN AND DIMENSIONS OF THE PRODUCT SHOWN ON THIS DRAWING ARE SUBJECT TO CHANGE WITHOUT NOTICE

TITLE:  
**RIGID TWO HOLE STRAPS**

TOLERANCE UNLESS OTHERWISE SPECIFIED  .XX DECIMAL ±.015 .XXX DECIMAL ±.005 ANGLE ±2°	<b>RACO</b> South Bend, Indiana		SCALE: <b>1:1</b>
	DRAWN BY:	M.S	
	APP. BY:	X.X.	
	DATE:	07/09/2015	

NOTES:  
1. ALL DIMENSIONS ARE IN INCHES AND [MILLIMETERS].  
2. ALL SHOWN CATALOGS ARE cULus LISTED.