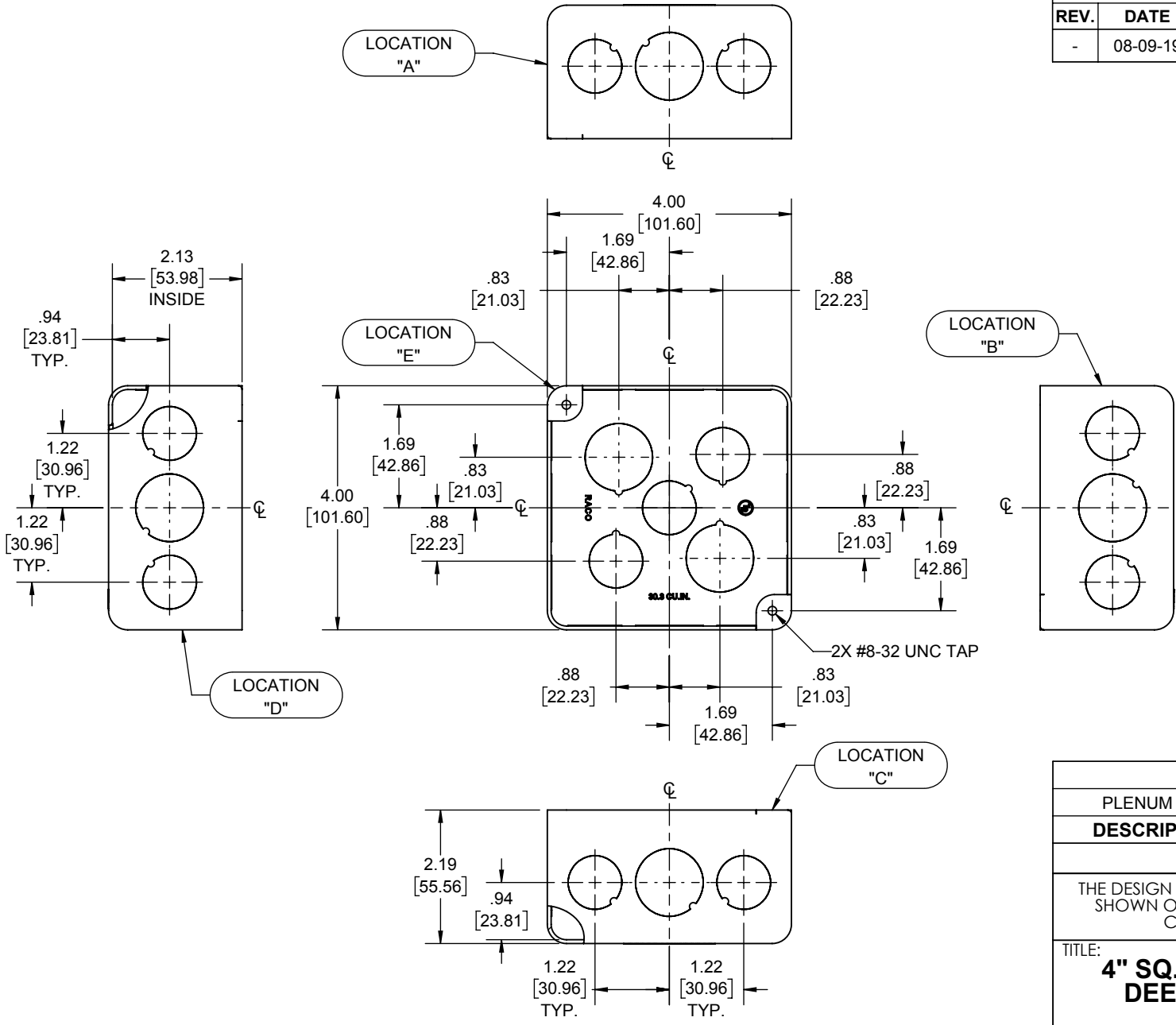
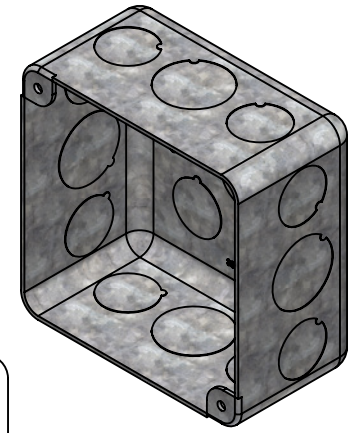


REVISIONS			
REV.	DATE	DESCRIPTION	BY:
-	08-09-19	INITIAL RELEASE	RMV



PLENUM BOX	STEEL	GALVANIZED
DESCRIPTION	MATERIAL	FINISH

LIST OF PARTS
 THE DESIGN AND DIMENSIONS OF THE PRODUCT SHOWN ON THIS DRAWING ARE SUBJECT TO CHANGE WITHOUT NOTICE

TITLE:
4" SQ. PLENUM BOX, 2-1/8" DEEP, 1/2"-3/4" KO'S W/ BARCODE

KNOCKOUTS		
TRADE SIZE	LOCATION	QTY.
1/2" KO	A, B, C, D	2
3/4" KO	A, B, C, D	1
1/2" KO	E	3
3/4" KO	E	2

TOLERANCE UNLESS OTHERWISE SPECIFIED
 .XX DECIMAL ± .015
 .XXX DECIMAL ± .005
 ANGLE ± 2°



DRAWN BY:	RMV	SCALE:	SIZE:
APP. BY:	N.S.		
DATE:	08-09-19	1:2.5	A

- NOTES:
1. ALL DIMENSIONS ARE IN INCHES AND [MILLIMETERS]
 2. BOX VOLUME: 30.3 IN³ [496.5 CM³]
 3. UL LISTED