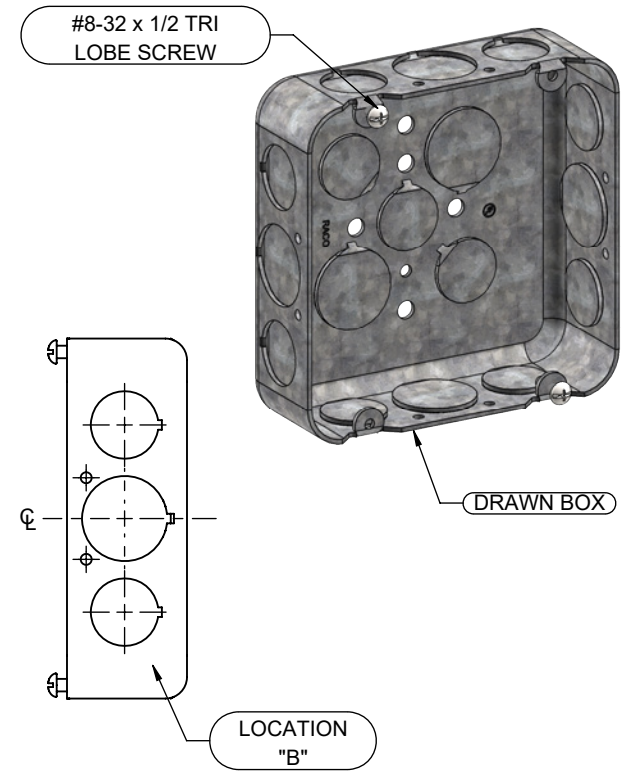
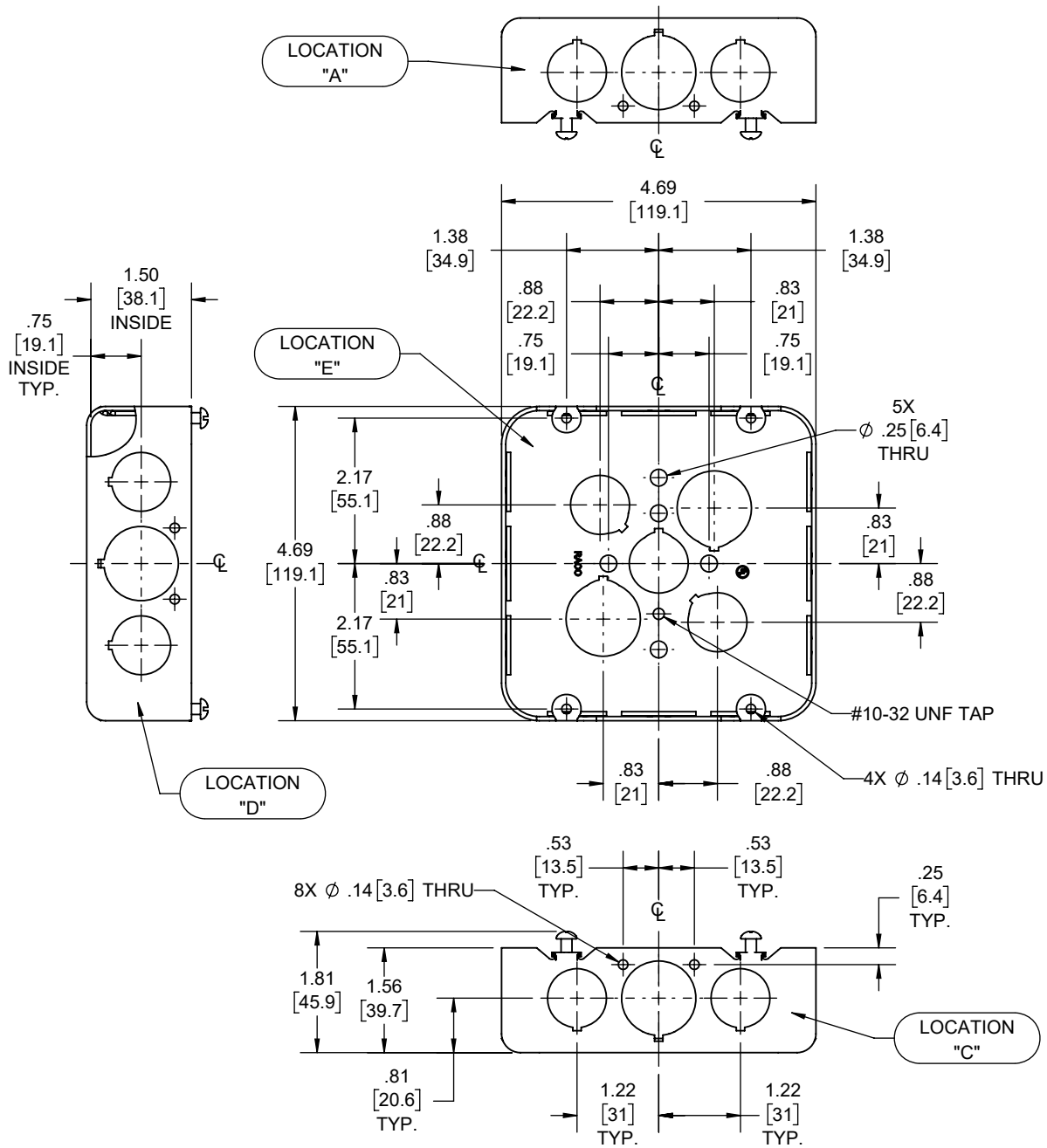


REVISIONS			
REV.	DATE	DESCRIPTION	BY
-	05-28-20	INITIAL RELEASE	RMV



DESCRIPTION	MATERIAL	FINISH
FASTENERS	STEEL	GALVANIZED
DRAWN BOX	STEEL	GALVANIZED

**LIST OF PARTS**

THE DESIGN AND DIMENSIONS OF THE PRODUCT SHOWN ON THIS DRAWING ARE SUBJECT TO CHANGE WITHOUT NOTICE

TITLE:  
**4-11/16" SQ. DRAWN OUTLET BOX, 1-1/2" DP., WITH 1/2"-3/4" KO'S**

KNOCKOUTS		
TRADE SIZE	LOCATION	QTY.
1/2" KO	E	3
1/2" KO	A, B, C, D	2
3/4" KO	E	2
3/4" KO	A, B, C, D	1

TOLERANCE UNLESS OTHERWISE SPECIFIED  
.XX DECIMAL ± .015  
.XXX DECIMAL ± .005  
ANGLE ± 2°



DRAWN BY:	RMV	SCALE:	SIZE:
APP. BY:	N.S.		
DATE:	05-28-20	1:2.5	<b>A</b>

- NOTES:
- ALL DIMENSIONS ARE IN INCHES AND [MILLIMETERS]
  - BOX VOLUME: 29.5 IN<sup>3</sup> [483.4 CM<sup>3</sup>]
  - UL LISTED