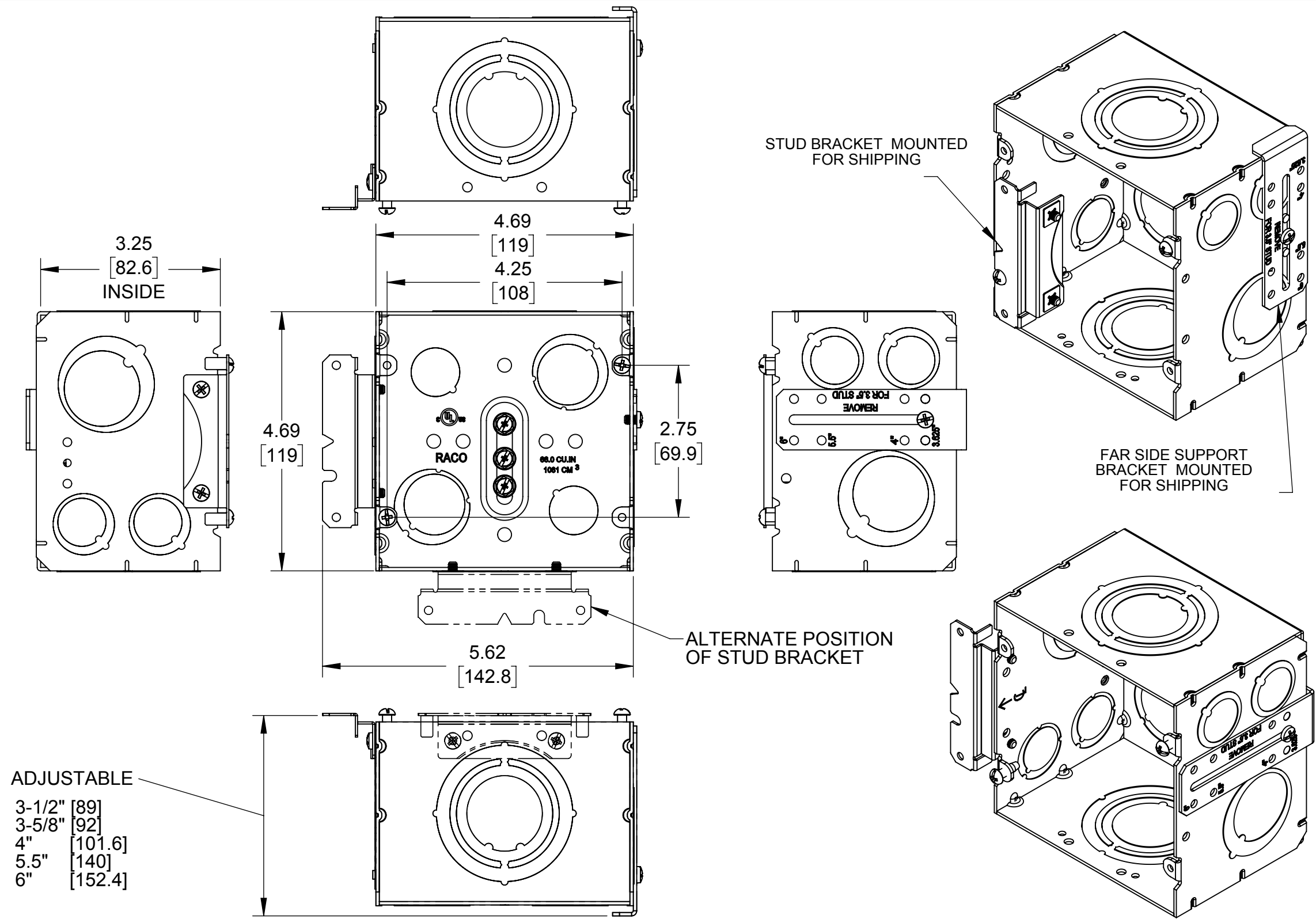


LIST OF PARTS

DESCRIPTION	MATERIAL	FINISH
SPACER	STEEL	GALVANIZED
SIDES	STEEL	GALVANIZED
STUD BRACKET	STEEL	GALVANIZED
FAR SIDE SUPPORT	STEEL	GALVANIZED
SCREW RETAINER	PVC	N/A
FASTENERS	STEEL	GALVANIZED



- NOTES:**
1. ALL DIMENSIONS ARE IN INCHES AND [MILLIMETERS]
 2. BOX VOLUME: 66 IN³ [1061 CM³]
 3. FAR SIDE (WALL) SUPPORT INCLUDED. ADJUSTABLE FOR STEEL AND WOOD STUDS
 4. STUD MOUNTING BRACKET INCLUDED. COULD BE REPOSITIONED
 5. 3 GREEN #10-32 GROUND SCREWS INCLUDED
 6. ACCEPTS # 981 PARTITION, SOLD SEPARATELY
 7. cULus LISTED

KNOCKOUTS	
TRADE SIZE	LOCATION
1/2" KO	2- BOTTOM
1/2", 3/4" TKO®	2- ONE ON EACH SIDE
3/4", 1" TKO®	2- BOTTOM
1", 1-1/4" TKO®	2- ONE ON EACH SIDE
1", 1-1/4", 1-1/2", 2" COMB. KO	2- ONE ON EACH SIDE OF SPACER

SYMBOL	INITIAL RELEASE	K.K.	DATE

THE DESIGN AND DIMENSIONS OF THE PRODUCT SHOWN ON THIS DRAWING ARE SUBJECT TO CHANGE WITHOUT NOTICE

TITLE: **4 11/16" SQ. 3 1/4" DEEP WELDED DATA BOX WITH STUD MOUNTING BRACKET**

TOLERANCE UNLESS OTHERWISE SPECIFIED		<p>RACO South Bend, Indiana</p>	SCALE: 1:2
.XX DECIMAL ±.015	DRAWN BY: K.K.		
.XXX DECIMAL ±.005	APP. BY: N.S.		
ANGLE ±2°	DATE: 2/09/2015		