

**NOTE:** FOR INSTRUCTION CARD SCROLL DOWN TO NEXT SHEET

**NOTES:**

1. ALL DIMENSIONS ARE IN INCHES AND [MILLIMETERS]
2. BOX VOLUME: 42 IN<sup>3</sup> [688.2 CM<sup>3</sup>]
3. ACCEPTS ALL 4-11/16" COVERS, 707RAC & 709 PARTITIONS, ALL SOLD SEPARATELY
4. UL LISTED

KNOCKOUTS		
TRADE SIZE	LOCATION	QTY.
1/2"	A	1
(1/2"-3/4") TKO®	A	3
(1/2"-3/4") TKO®	B, C, D	3

**LIST OF PARTS**

DESCRIPTION	MATERIAL	FINISH
SPACER	STEEL	GALVANIZED
SIDE	STEEL	GALVANIZED
FASTENERS	STEEL	GALVANIZED
FAR SIDE BOX SUPPORT	PLASTIC	N/A
INSTRUCTION CARD	PAPER	N/A
BOX-LOC® BRACKET	STEEL	HEAT TREATED / ZINC PHOSPHATE

266 CUS

SYM.	REVISION DESCRIPTION	APP	DATE
	INITIAL RELEASE	J.R.	06/22/2015

THE DESIGN AND DIMENSIONS OF THE PRODUCT SHOWN ON THIS DRAWING ARE SUBJECT TO CHANGE WITHOUT NOTICE

TITLE: **4-11/16" SQUARE WELDED BOX 2-1/8" DEEP WITH RAISED GROUND, FAR SIDE SUPPORT, AND BOX-LOC® BRACKET**

TOLERANCE UNLESS OTHERWISE SPECIFIED

.XX DECIMAL ±.015  
.XXX DECIMAL ±.005  
ANGLE ±2°

**RACO**

South Bend, Indiana

DRAWN BY:

J.R.

APP. BY:

N.S.

DATE:

06/22/2015

SCALE:

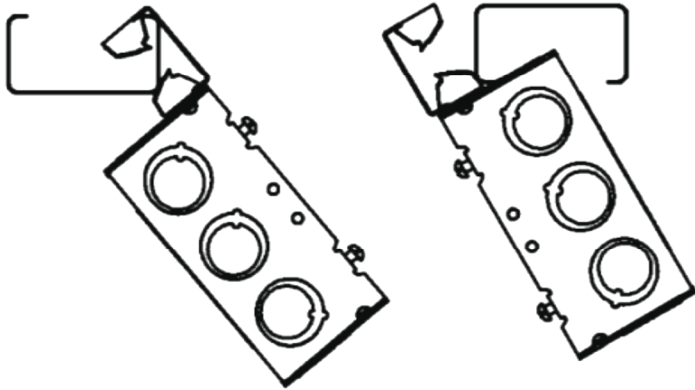
1:3

266

DIMENSION SHEET FOR CAT. NO.

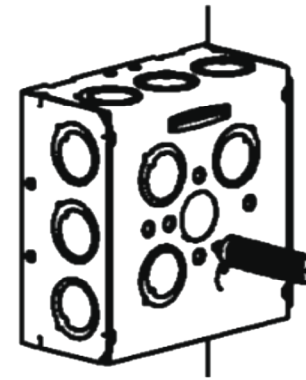
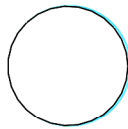
SIZE:

**A**



Engage bracket to open side of stud and hinge box into position.

No screws needed.



Snap Far Side Box Support into hole in back of box. Support suited for 1-1/2" deep box in 3-1/2" wall.

Snip support to desired length to accommodate deeper box and/or narrower wall cavity.

