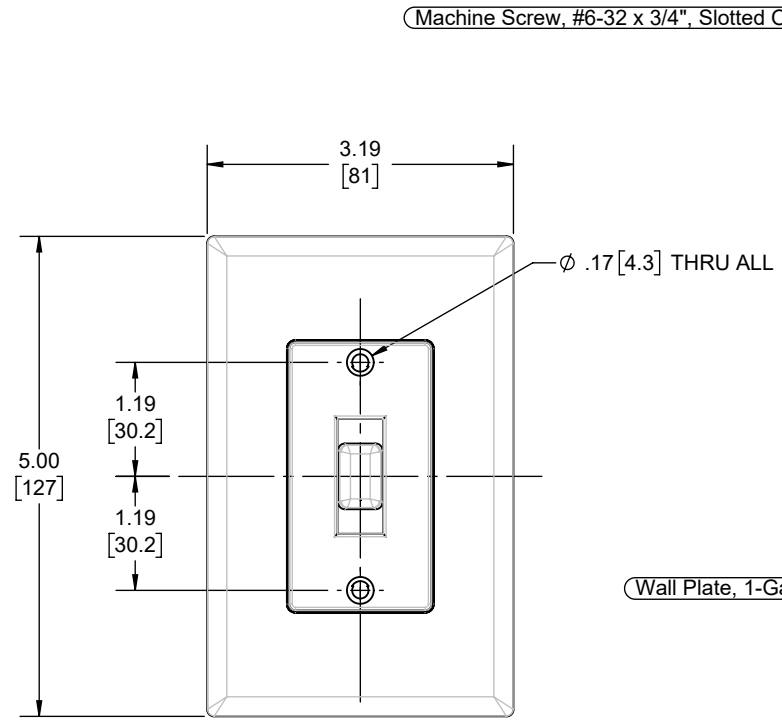
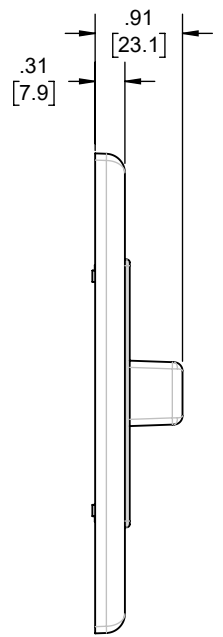
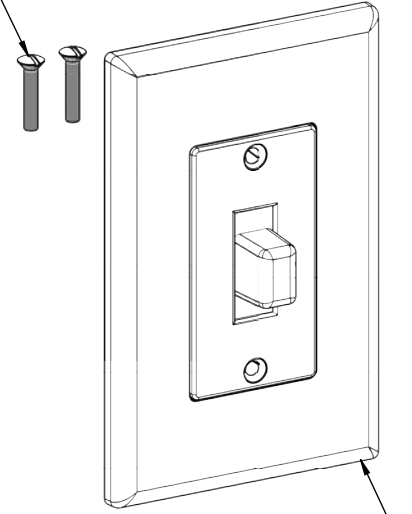


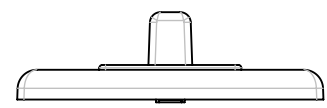
| REVISIONS | | | |
|-----------|----------|-----------------|-----|
| REV. | DATE | DESCRIPTION | BY |
| - | 05-17-23 | INITIAL RELEASE | RMV |



Machine Screw, #6-32 x 3/4", Slotted Oval Head



Wall Plate, 1-Gang, Toggle Switch Cover-Up, Large, Decorator Style



| DESCRIPTION | MATERIAL | FINISH |
|-------------|----------|------------|
| FASTENERS | STEEL | GALVANIZED |
| WALL PLATE | PVC | - |

LIST OF PARTS

THE DESIGN AND DIMENSIONS OF THE PRODUCT SHOWN ON THIS DRAWING ARE SUBJECT TO CHANGE WITHOUT NOTICE

TITLE:
1-GANG DECORATOR COVER, TOGGLE, WHITE

TOLERANCE UNLESS OTHERWISE SPECIFIED
.XX DECIMAL ± .015
.XXX DECIMAL ± .005
ANGLE ± 2°

| | | | | |
|--|-----------|----------|--------|-------------------|
| | DRAWN BY: | RMV | SCALE: | SIZE: A |
| | APP. BY: | N.S. | | |
| | DATE: | 05-17-23 | 1:2 | |

NOTES:
1. ALL DIMENSIONS ARE IN INCHES AND [MILLIMETERS]