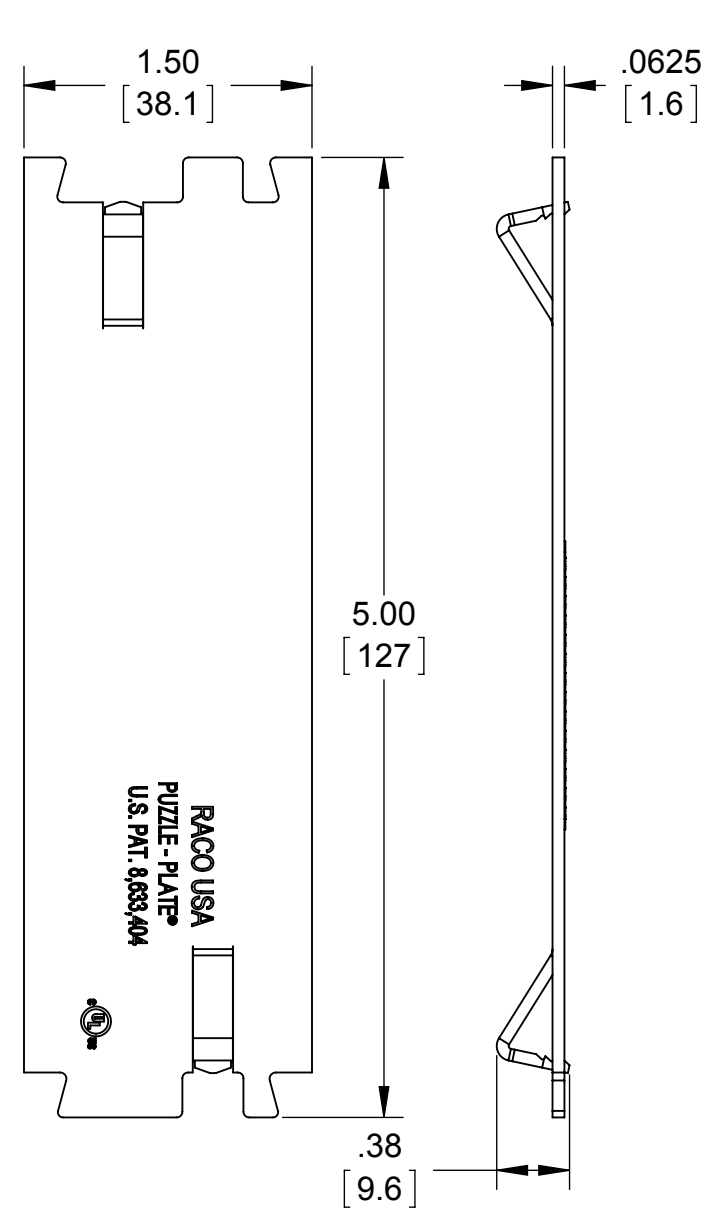
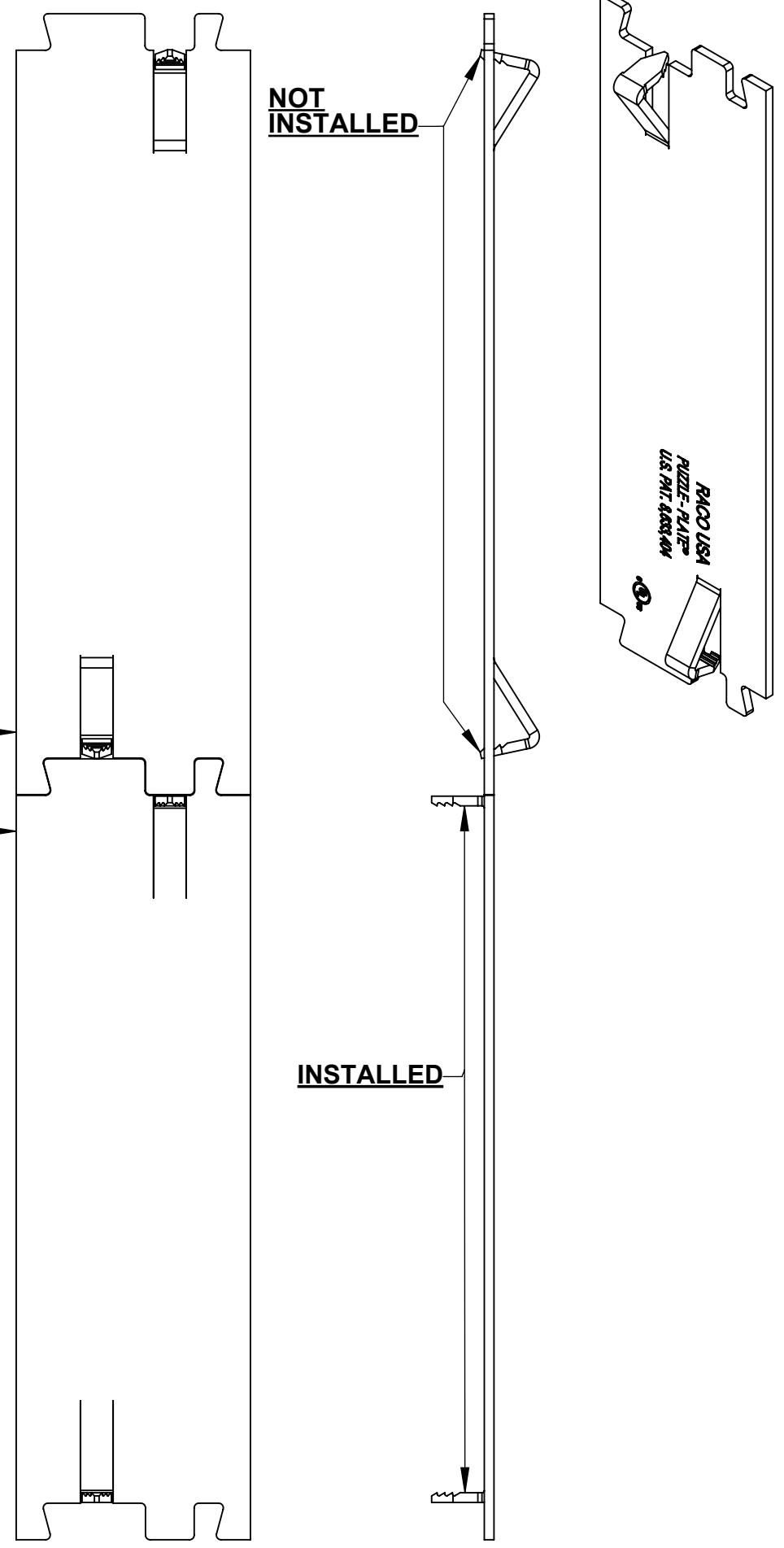


**LIST OF PARTS**

DESCRIPTION	MATERIAL	FINISH
PROTECTOR PLATE	STEEL	GALVANIZED



**GANGABLE  
FOR USE IN  
MULTIPLE  
APPLICATIONS**



- NOTES:
1. ALL DIMENSIONS ARE IN INCHES AND [MILLIMETERS]
  2. PART MAY BE PAIRED WITH PARTS 2712R & 2712-9R FOR DIFFERENT LENGTH CONFIGURATIONS
  3. FOR USE WITH WOOD STUDS
  4. U.S. PAT. 8,633,404
  5. cULus LISTED

SYM.	REVISION DESCRIPTION	APP	DATE
	INITIAL RELEASE	N.S.	08-18-2015

THE DESIGN AND DIMENSIONS OF THE PRODUCT SHOWN ON THIS DRAWING ARE SUBJECT TO CHANGE WITHOUT NOTICE

TITLE: **PUZZLE-PLATE®:  
GANGABLE PROTECTOR PLATE**

<small>TOLERANCE UNLESS OTHERWISE SPECIFIED</small>  .XX DECIMAL ±.015 .XXX DECIMAL ±.005 ANGLE ±2°	<b>RACO</b> South Bend, Indiana		SCALE: <b>1:1</b>
	DRAWN BY:	J.R.	
	APP. BY:	N.S.	
DATE:	08-18-2015		