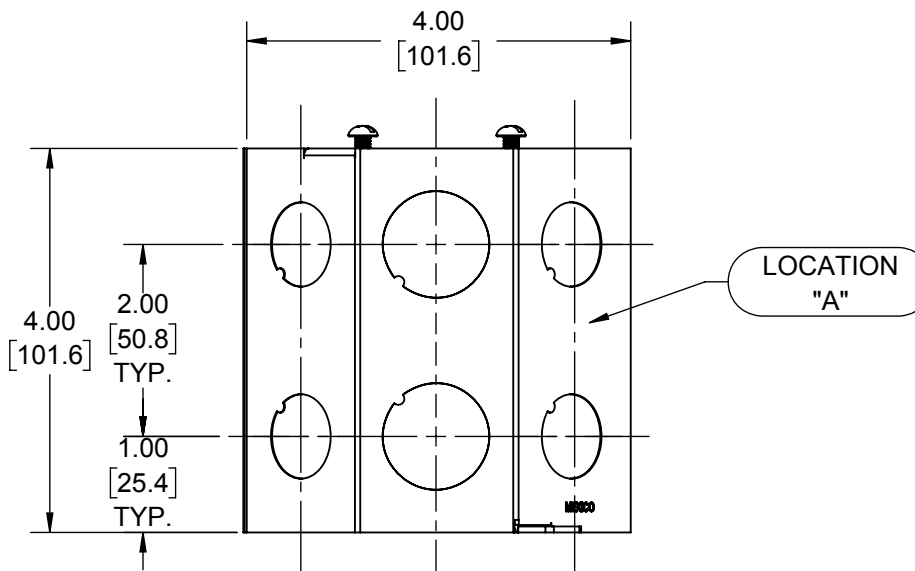
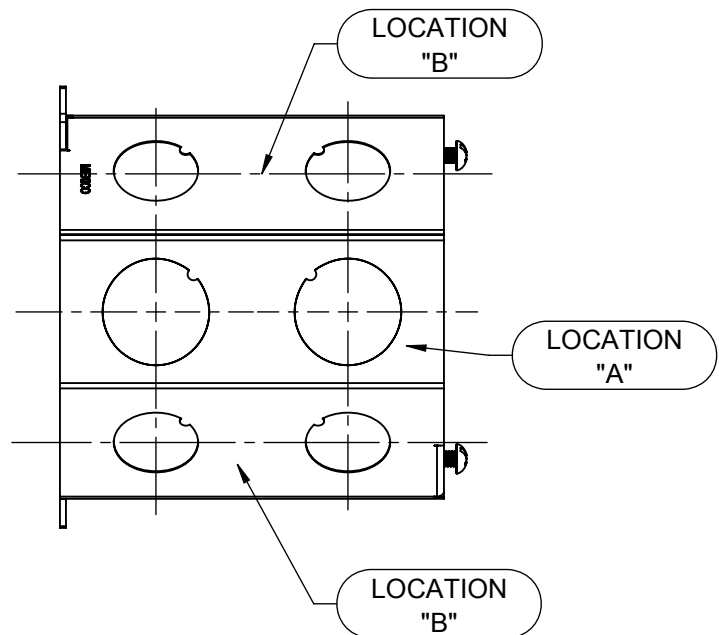
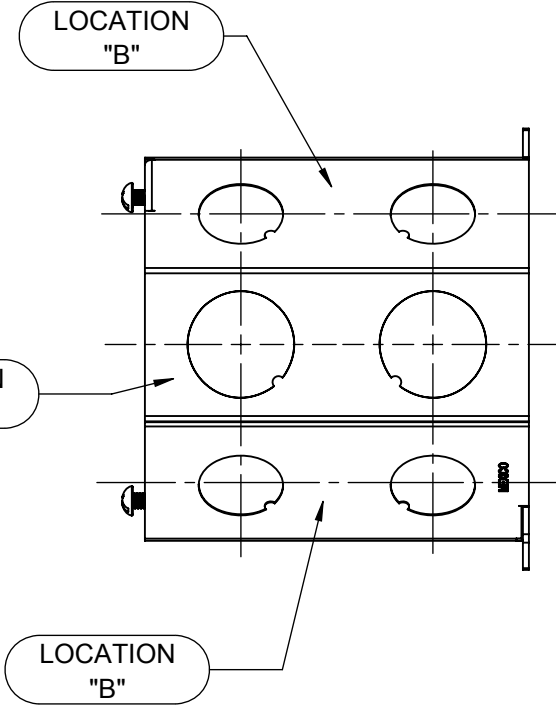
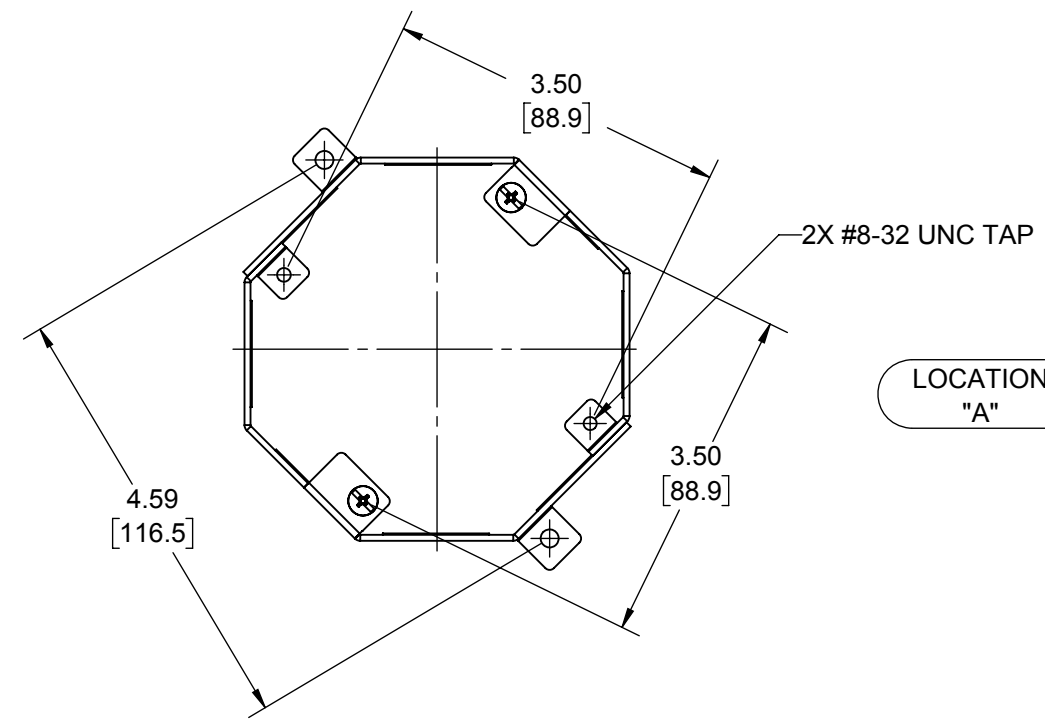
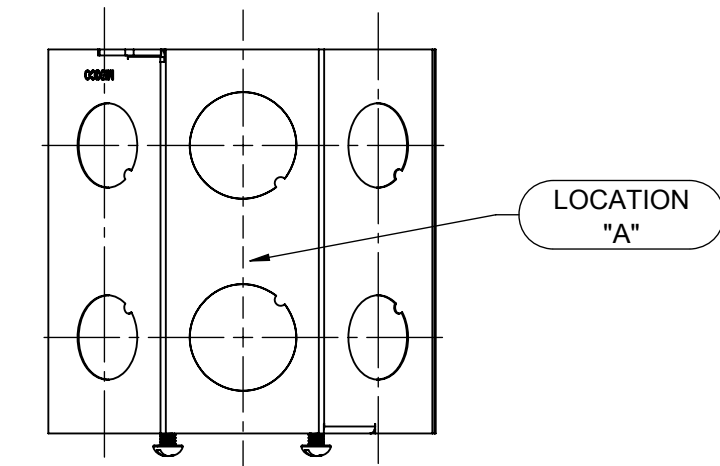
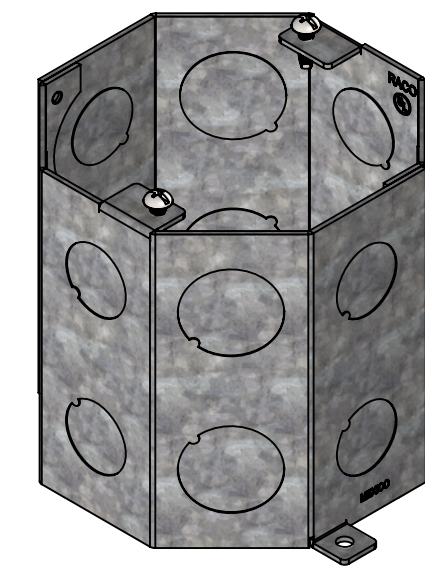


REVISIONS			
REV.	DATE	DESCRIPTION	BY:
-	10-23-19	INITIAL RELEASE	RMV



DESCRIPTION	MATERIAL	FINISH
FASTENERS	STEEL	GALVANIZED
FOOT	STEEL	GALVANIZED
CONCRETE RING	STEEL	GALVANIZED

**LIST OF PARTS**

THE DESIGN AND DIMENSIONS OF THE PRODUCT SHOWN ON THIS DRAWING ARE SUBJECT TO CHANGE WITHOUT NOTICE

TITLE:  
**4 IN DP. CONCRETE RING W/ 1/2"-3/4" KO'S**

KNOCKOUTS		
TRADE SIZE	LOCATION	QTY.
1/2" KO	B	2 ON EACH SIDE
3/4" KO	A	2 ON EACH SIDE

TOLERANCE UNLESS OTHERWISE SPECIFIED	<b>RACO</b>	
.XX DECIMAL ±.015	DRAWN BY: RMV	SCALE: 1:2
.XXX DECIMAL ±.005	APP. BY: N.S.	
ANGLE ±2°	DATE: 10-23-19	

NOTES:  
 1. ALL DIMENSIONS ARE IN INCHES AND [MILLIMETERS]  
 2. BOX VOLUME: 49.3 IN³ [807.9 CM³]  
 3. UL LISTED