

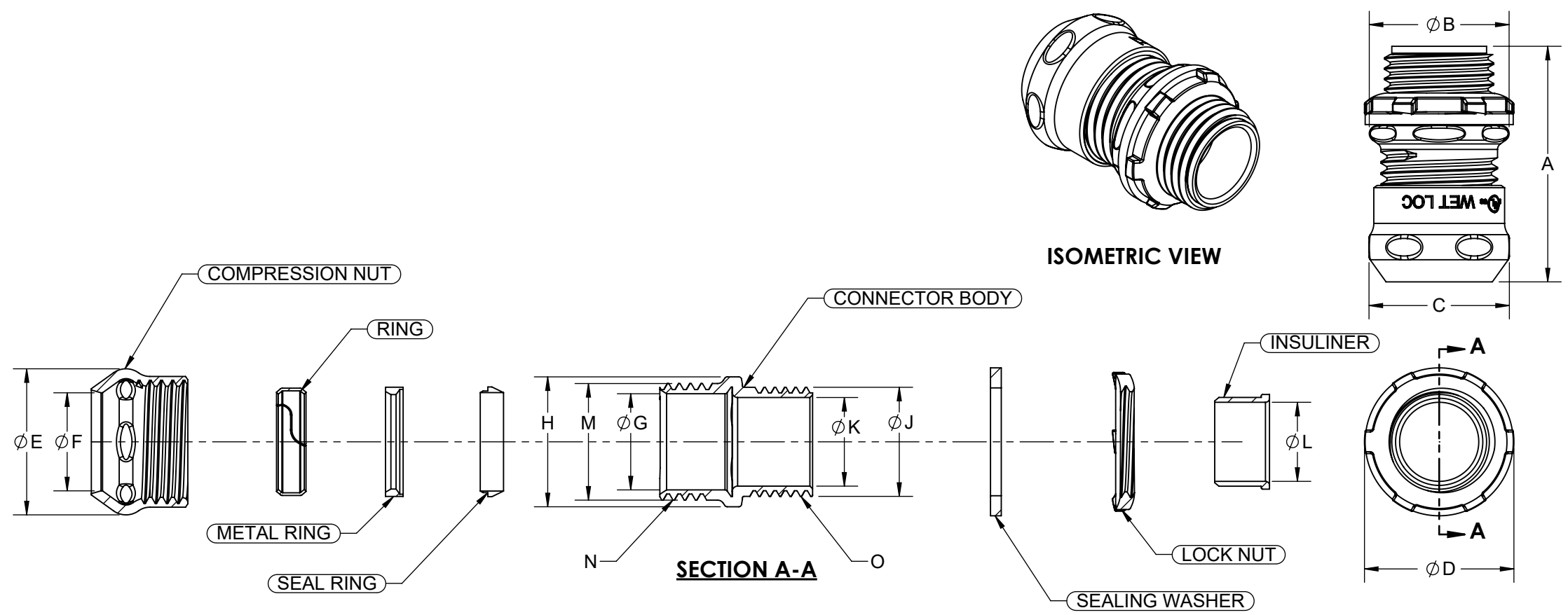
CAT. #	SIZE	A	B	C	D	E	F	G	H	J	K	L	M	N	O
2912RT	1/2"	1.76 [24.7]	1.04 [26.4]	1.04 [26.4]	1.11 [28.2]	1.09 [27.6]	0.73 [18.5]	0.72 [18.3]	0.97 [24.6]	0.81 [20.6]	0.66 [16.8]	0.59 [15.0]	0.87 [22.1]	0.858-14UNS	1/2-14NPSM
2913RT	3/4"	1.93 [49.0]	1.31 [33.3]	1.29 [32.8]	1.33 [33.8]	1.39 [35.3]	0.94 [23.9]	0.94 [23.9]	1.20 [30.5]	1.01 [25.7]	0.87 [22.1]	0.79 [20.6]	1.08 [27.4]	1.087-14UNS	3/4-14NPSM
2914RT	1"	2.01 [51.1]	1.59 [40.4]	1.54 [39.1]	1.71 [43.4]	1.64 [41.7]	1.17 [29.7]	1.18 [30.0]	1.49 [37.8]	1.26 [32.0]	1.12 [28.4]	1.04 [26.4]	1.32 [33.5]	1.331-18UNS	1-11.5NPSM
2915RT	1-1/4"	2.44 [62.0]	1.99 [50.5]	1.93 [49.0]	2.09 [53.3]	2.03 [51.6]	1.54 [39.1]	1.52 [38.6]	1.83 [46.5]	1.59 [40.4]	1.41 [35.8]	1.26 [32.0]	1.70 [43.2]	1.701-14UNS	1-1/4-11.5 NPSM
2916RT	1-1/2"	2.47 [62.7]	2.26 [57.4]	2.14 [54.4]	2.37 [60.2]	2.29 [58.2]	1.78 [45.2]	1.76 [44.7]	2.13 [54.1]	1.83 [46.4]	1.64 [41.9]	1.50 [38.1]	1.94 [49.3]	1.933-14UNS	1-1/2-11.5 NPSM
2918RT	2"	2.72 [69.1]	2.82 [71.6]	2.63 [66.8]	2.89 [73.4]	2.78 [70.6]	2.24 [56.9]	2.21 [56.1]	2.62 [66.5]	2.32 [58.9]	2.12 [53.8]	2.00 [50.8]	2.41 [61.2]	2.398-14UNS	2-11.5NPSM
2960RT	2-1/2"	4.04 [102.6]	3.64 [92.5]	3.40 [86.4]	3.42 [86.9]	3.62 [91.9]	2.91 [73.9]	2.91 [73.9]	3.34 [84.8]	2.80 [71.1]	2.57 [65.3]	2.35 [59.7]	3.14 [79.8]	3.142-11.5UNS	2-1/2-8NPSM
2962RT	3"	4.00 [101.6]	4.28 [108.7]	4.05 [102.9]	4.08 [103.4]	4.26 [108.2]	3.55 [90.2]	3.54 [89.9]	3.95 [100.3]	3.43 [87.1]	3.19 [81.0]	3.01 [76.7]	3.78 [96.0]	3.776-11.5UNS	3-8NPSM
2964RT	3-1/2"	4.19 [106.4]	4.69 [119.1]	4.56 [115.8]	4.71 [119.6]	4.78 [121.4]	4.04 [102.6]	4.04 [102.6]	4.38 [111.3]	3.93 [99.8]	3.69 [93.7]	3.50 [88.9]	4.29 [109.0]	4.276-11.5UNS	3-1/2-8NPSM
2966RT	4"	4.25 [108.0]	5.28 [134.1]	5.06 [128.5]	5.31 [134.9]	5.31 [134.9]	4.54 [115.3]	4.56 [115.8]	4.92 [125.0]	4.43 [112.5]	4.20 [106.7]	3.98 [100.8]	4.79 [121.7]	4.776-11.5UNS	4-8NPSM

TIGHTENING TORQUE			
(SEE CLAUSES 6.2.1 8.17.2.1 8.27.2.1, 8.28.2.2, and 8.28.2.5.)			
TRADE SIZE OF FITTING	METRIC DESIGNATOR	TIGHTENING TORQUE	
		N-m	(lbf-in)
1/4a	10	19.8	175
3/8	12	22.6b	200
1/2	16	33.9	300
3/4	21	56.5	500
1	27	79.1	700
1-1/4	35	113	1000
1-1/2	41	136	1200
2	53	181	1600
2-1/2	63	181	1600
3	78	181	1600
3-1/2	91	181	1600
4	103	181	1600

a APPLIES TO FLEXIBLE CORD FITTINGS ONLY

b A 3/8 (12) TRADE-SIZE FITTING FOR USE WITH LIQUID-TIGHT FLEXIBLE METAL CONDUIT SHALL BE TIGHTENED WITH A TORQUE OF 26.5 N-M (235 LBF-IN).

REVISIONS			
REV.	DATE	DESCRIPTION	BY:
-	11-13-20	INITIAL RELEASE OF DRAWING	VS



- NOTES:**
1. ALL DIMENSIONS ARE IN INCHES AND [MILLIMETERS].
 2. LOCKNUT SHALL BE HAND-TIGHTENED AND THEN FURTHER TIGHTENED 1/4 TURN WITH A HAMMER AND A FLAT BLADED SCREWDRIVER OR BY AN EQUIVALENT METHOD.
 3. RAIN TIGHT.
 4. cULus LISTED.

DESCRIPTION	MATERIAL	FINISH
INSULINER	NYLON	-
SEALING WASHER	NYLON	-
LOCK NUT	STEEL	ZINC
SEAL RING	POLYPROPYLENE	-
METAL RING	STEEL	ZINC
RING	STEEL	ZINC
COMPRESSION NUT	STEEL	ZINC
COUPLING BODY	STEEL	ZINC

LIST OF PARTS

THE DESIGN AND DIMENSIONS OF THE PRODUCT SHOWN ON THIS DRAWING ARE SUBJECT TO CHANGE WITHOUT NOTICE

TITLE: **RainTight Compression Connector Insulated**

TOLERANCE UNLESS OTHERWISE SPECIFIED .XX DECIMAL ±.015 .XXX DECIMAL ±.005 ANGLE ±2°	RACO		
	DRAWN BY:	VS	SCALE: SIZE:
	APP. BY:	N.S.	1:1
	DATE:	11-13-20	