

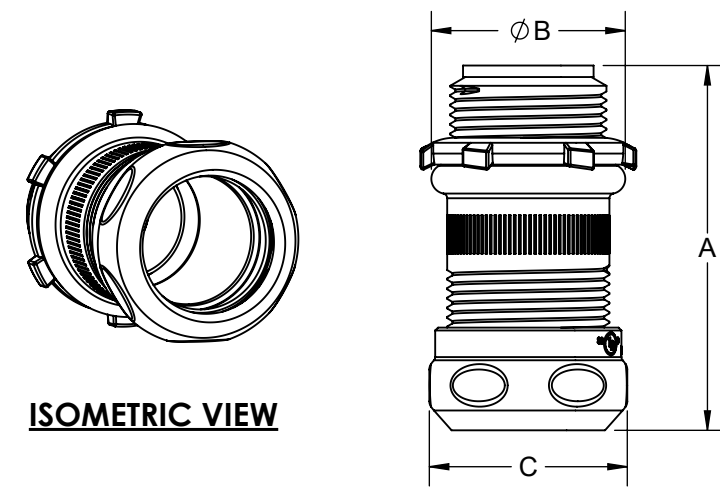
CAT. #	SIZE	A	B	C	D	E	F	G	H	J	K	L	M	N
2912	1/2"	1.90 [48.3]	1.01 [25.7]	1.03 [26.2]	1.13 [28.6]	1.08 [27.5]	0.72 [18.4]	0.69 [17.4]	0.81 [20.7]	0.64 [16.3]	0.60 [15.1]	0.84 [21.5]	0.858-14 UNS	1/2-14 NPSM
2913	3/4"	2.00 [50.7]	1.25 [31.7]	1.29 [32.7]	1.40 [35.1]	1.37 [34.8]	0.94 [23.9]	0.92 [23.3]	1.01 [25.7]	0.80 [20.2]	0.76 [19.3]	1.07 [27.3]	1.087-14 UNS	3/4-14 NPSM
2914	1"	2.17 [55.0]	1.50 [38.0]	1.54 [39.0]	1.70 [43.3]	1.63 [41.5]	1.18 [29.9]	1.16 [29.6]	1.26 [32.0]	1.02 [25.9]	1.00 [25.4]	1.32 [33.4]	1.331-18 UNS	1-11.5 NPSM
2915	1-1/4"	2.59 [65.8]	1.86 [47.2]	1.89 [48.0]	2.07 [53.4]	2.03 [51.4]	1.54 [39.0]	1.55 [39.3]	1.60 [40.7]	1.35 [34.3]	1.32 [33.4]	1.71 [43.4]	1.701-14 UNS	1 1/4-11.5 NPSM
2916	1-1/2"	2.95 [74.8]	2.16 [54.9]	2.14 [54.3]	2.36 [60.2]	2.26 [57.5]	1.76 [44.8]	1.79 [45.3]	1.85 [46.9]	1.59 [40.4]	1.53 [38.8]	1.94 [49.4]	1.933-14 UNS	1 1/2-11.5 NPSM
2918	2"	3.27 [83.0]	2.60 [65.9]	2.64 [67.1]	2.85 [73.0]	2.77 [70.3]	2.23 [56.6]	2.25 [57.0]	2.33 [59.1]	2.02 [51.3]	1.97 [49.9]	2.42 [61.5]	2.398-14 UNS	2-11.5 NPSM
2960	2-1/2"	4.08 [103.7]	3.37 [85.5]	3.43 [87.1]	3.43 [87.0]	3.60 [91.4]	2.92 [74.2]	2.92 [74.2]	2.82 [71.5]	2.43 [61.6]	2.26 [57.3]	3.16 [80.3]	3.142-11.5 UNS	2 1/2-8 NPSM
2962	3"	4.54 [115.4]	4.06 [103.1]	4.05 [102.9]	4.11 [104.4]	4.28 [108.8]	3.54 [90.0]	3.55 [90.2]	3.44 [87.3]	3.01 [76.5]	2.84 [72.2]	3.80 [96.5]	3.776-11.5 UNS	3-8 NPSM
2964	3-1/2"	4.75 [120.8]	4.56 [115.8]	4.57 [116.0]	4.70 [119.4]	4.77 [121.2]	4.06 [103.0]	4.05 [102.8]	3.94 [100.0]	3.48 [88.4]	3.27 [83.1]	4.29 [108.9]	4.276-11.5 UNS	3 1/2-8 NPSM
2966	4"	4.93 [125.1]	5.05 [128.4]	5.05 [128.1]	5.27 [133.8]	5.27 [133.9]	4.54 [115.3]	4.60 [116.8]	4.44 [112.7]	3.97 [100.7]	3.78 [96.0]	4.78 [121.4]	4.776-11.5 UNS	4-8 NPSM

TIGHTENING TORQUE			
(SEE CLAUSES 6.2.1 8.17.2.1 8.27.2.1, 8.28.2.2, and 8.28.2.5.)			
TRADE SIZE OF FITTING	METRIC DESIGNATOR	TIGHTENING TORQUE	
		N-m	(lbf-in)
1/4a	10	19.8	175
3/8	12	22.6b	200
1/2	16	33.9	300
3/4	21	56.5	500
1	27	79.1	700
1-1/4	35	113	1000
1-1/2	41	136	1200
2	53	181	1600
2-1/2	63	181	1600
3	78	181	1600
3-1/2	91	181	1600
4	103	181	1600

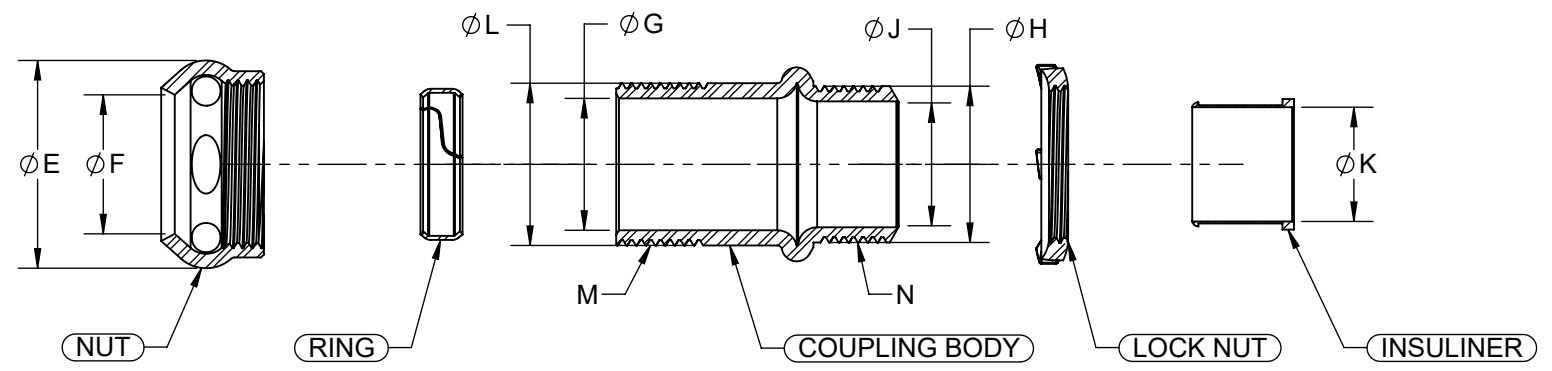
a APPLIES TO FLEXIBLE CORD FITTINGS ONLY

b A 3/8 (12) TRADE-SIZE FITTING FOR USE WITH LIQUID-TIGHT FLEXIBLE METAL CONDUIT SHALL BE TIGHTENED WITH A TORQUE OF 26.5 N-M (235 LBF-IN).

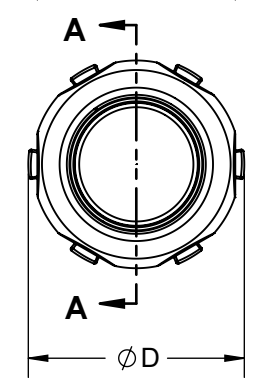
REVISIONS			
REV.	DATE	DESCRIPTION	BY:
-	07-29-21	INITIAL RELEASE OF DRAWING	MS



**ISOMETRIC VIEW**



**SECTION A-A**



- NOTES:**
1. ALL DIMENSIONS ARE IN INCHES AND [MILLIMETERS].
  2. LOCKNUT SHALL BE HAND-TIGHTENED AND THEN FURTHER TIGHTENED 1/4 TURN WITH A HAMMER AND A FLAT BLADED SCREWDRIVER OR BY AN EQUIVALENT METHOD.
  3. cULus LISTED.

DESCRIPTION	MATERIAL	FINISH
INSULINER	NYLON	-
LOCK NUT	STEEL	ZINC
RING	STEEL	ZINC
COMPRESSION NUT	STEEL	ZINC
COUPLING BODY	STEEL	ZINC

**LIST OF PARTS**

THE DESIGN AND DIMENSIONS OF THE PRODUCT SHOWN ON THIS DRAWING ARE SUBJECT TO CHANGE WITHOUT NOTICE

TITLE:  
**COMPRESSION CONNECTOR-STEEL INSULATED CUS**

TOLERANCE UNLESS OTHERWISE SPECIFIED			DRAWN BY: MS	SCALE: SIZE:
.XX DECIMAL ±.015 .XXX DECIMAL ±.005 ANGLE ±2°			APP. BY: N.S.	1:1
	DATE: 07-29-21			