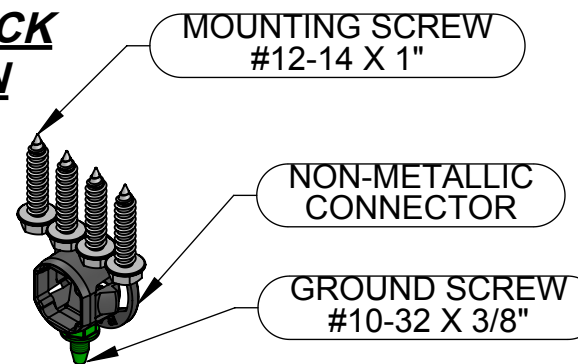
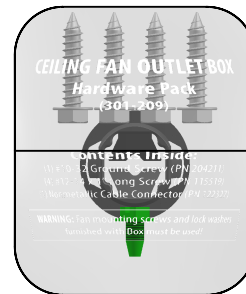
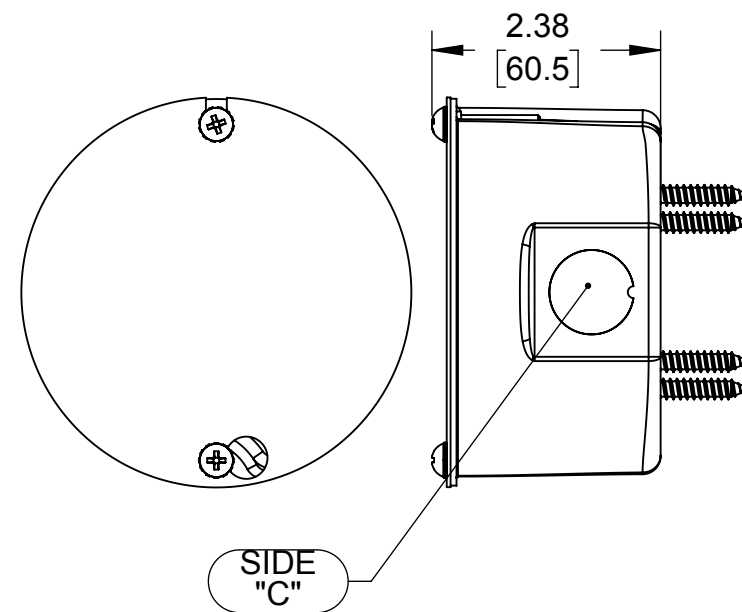
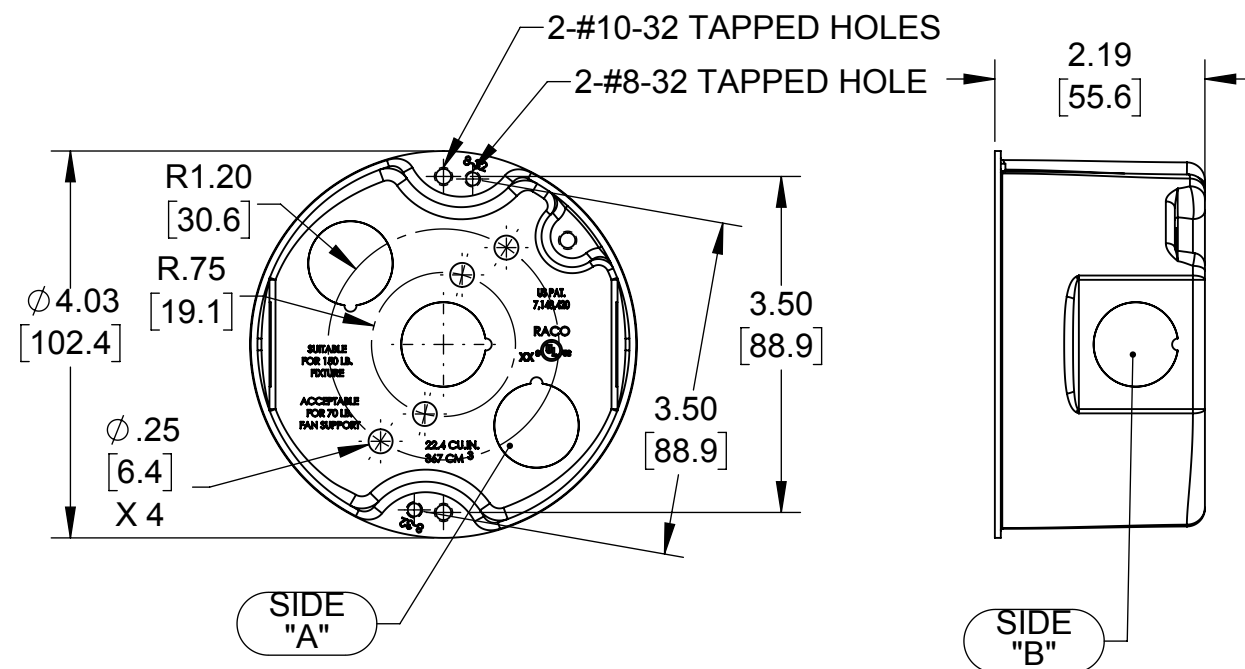


CEILING BOX

**HARDWARE PACK
BREAK DOWN**



**CEILING BOX
INSTALLED WITH DUST COVER**



SCROLL TO NEXT SHEET FOR PRINTABLE INSTRUCTIONS
(INSTRUCTION SHEET IS TO BE PRINTED ON 8.5" X 11" PAPER ACTUAL SIZE IS 8.5" X 5.5")

NOTES:

1. ALL DIMENSIONS ARE IN INCHES AND [MILLIMETERS]
2. BOX VOLUME: 22.4 IN³ [367 CM³]
3. FAN SUPPORT 70LBS [31.75KG]; FIXTURE SUPPORT 150LBS [68.03KG]
4. cULus® LISTED

LIST OF PARTS

DESCRIPTION	MATERIAL	FINISH
CEILING BOX	STEEL	GALVANIZED
INSTRUCTION SHEET	PAPER	N/A
HARDWARE PACK	SEE BELOW	SEE BELOW
DUST COVER	STEEL	GALVANIZED
FAN BOX SCREW	STEEL	GALVANIZED
HARDWARE PACK		
MOUNTING SCREW	STEEL	GALVANIZED
GROUND SCREW	STEEL	GALVANIZED/ GREEN
NON-METALLIC CONNECTOR	POLYCARBONATE	BLACK
KNOCKOUTS		
TRADE SIZE	LOCATION	QTY.
1/2" KO	SIDE "A"	3
1/2" KO	SIDE "B"	1
1/2" KO	SIDE "C"	1

SYM.	REVISION DESCRIPTION	APP	DATE
	INITIAL RELEASE	N.S.	7/8/2016

THE DESIGN AND DIMENSIONS OF THE PRODUCT SHOWN ON THIS DRAWING ARE SUBJECT TO CHANGE WITHOUT NOTICE

TITLE:
**4" ROUND CEILING FAN BOX
 2-1/8" DEEP**

TOLERANCE UNLESS OTHERWISE SPECIFIED		RACO South Bend, Indiana	
.XX DECIMAL ±.015	DRAWN BY: J.R.	SCALE: 1:2	SIZE: B
.XXX DECIMAL ±.005	APP. BY: N.S.		
ANGLE ±2°	DATE: 7/8/2016		



RACO

A Division of Hubbell Incorporated (Delaware)

Installation Instructions
RACO Cat. #s 296, 296-1 & 299

1-1/2" Deep ceiling box. 296, 296-1, Cubic capacity 15.8 Cu.in.

2-1/8" Deep ceiling box. 299 Cubic capacity 22.4 Cu.In.

Maximum Support: Fan – 70 lbs, Fixture- 150 lbs

U.S. Patent 7,148,420

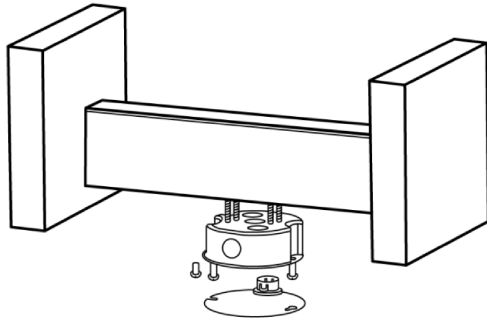
For use with new construction and remodel applications. Mounts to support in between joists. Includes mounting holes for fan or fixture.

Use disposable steel protection cover for mudding/painting operation.

Cover will protect wiring while router is used to cut drywall.

Included:

Steel box, Disposable Steel Protection Cover, 2 x #10-32 (Grade 5) Fan mounting screws 4 x Wood screws, 1 x Ground screw, 1 x Nonmetallic connector.



Installation Instructions: New Construction

- Install 2" x 4" support between joist, setback (see diagram).
- Remove desired knock out (side or bottom).
- Mount box on wood using 4 wood screws provided. **Screws must be driven perpendicular to joist. Screws should be fully embedded but not over tightened.**
- Install NM connector through inside of box in knockout and run Nonmetallic sheathed wiring.
- Install ground screw provided and connect ground wire.
- Follow fan or fixture mounting instructions.
- Use 10-32 screws (provided) if mounting a fan, or fixture over 50 lbs.
- Use 8-32 (not provided) screws if mounting a light fixture.

Installation Instructions: Remodeling (Attic access required)

- Cut 4-1/8" dia. hole through drywall
- Continue as described in new construction instructions.

"A" Setback for 5/8" drywall

Cat.No.	296	296-1	299
English	1"	1"	1-5/8"
Metric	2.5cm	2.5cm	4.1cm

Caution: Disconnect power supply. Use RACO® supplied screws only (except 8-32 screws for light fixtures). Connector installation through inside of the box. Maximum NM cable 10-3 with ground.