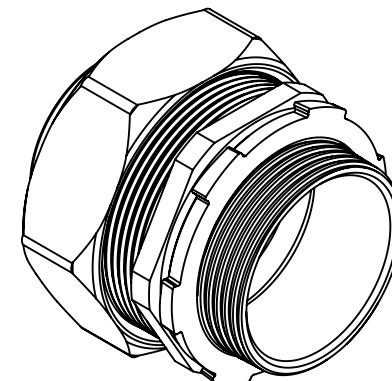
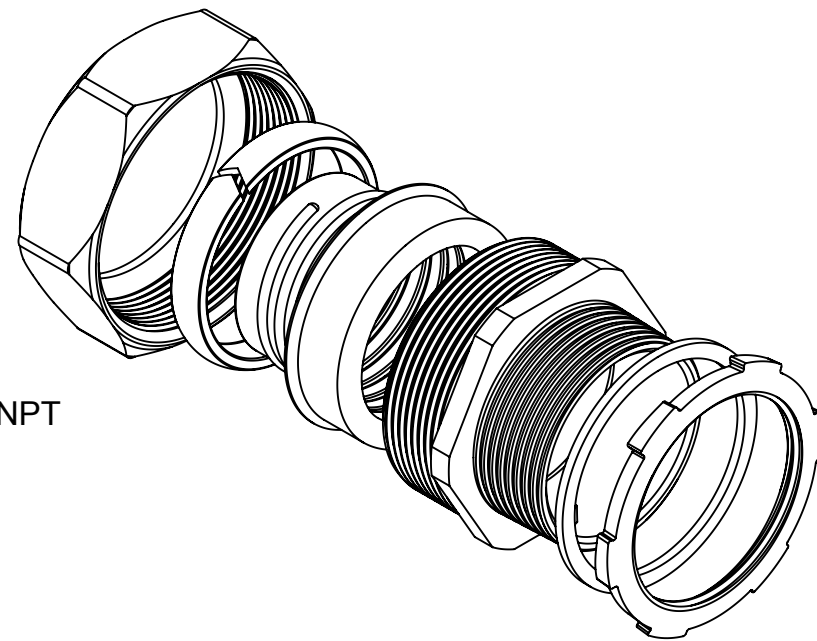
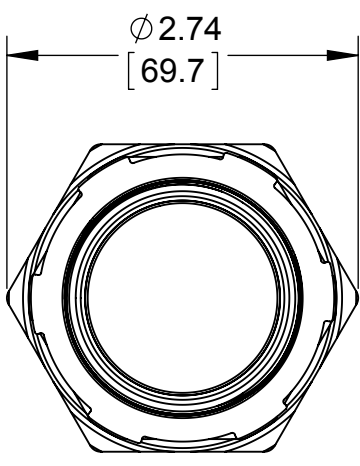
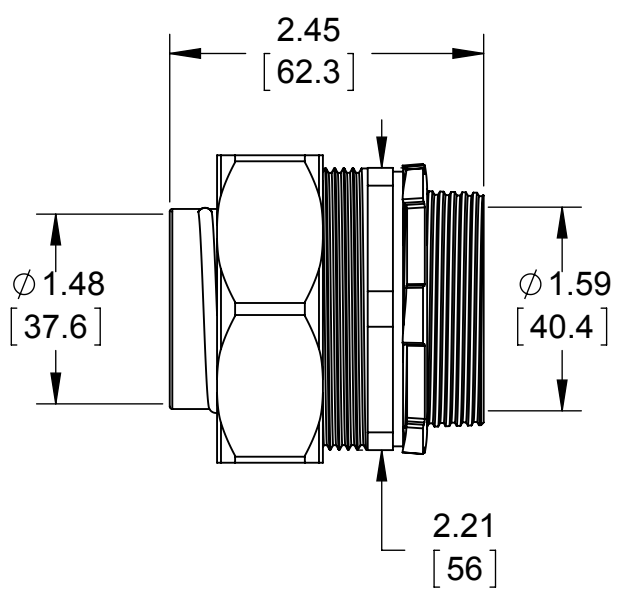
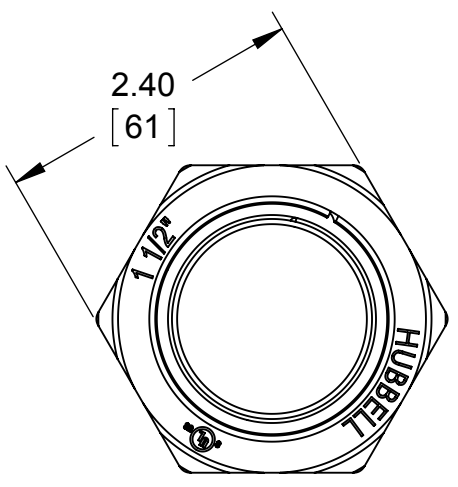
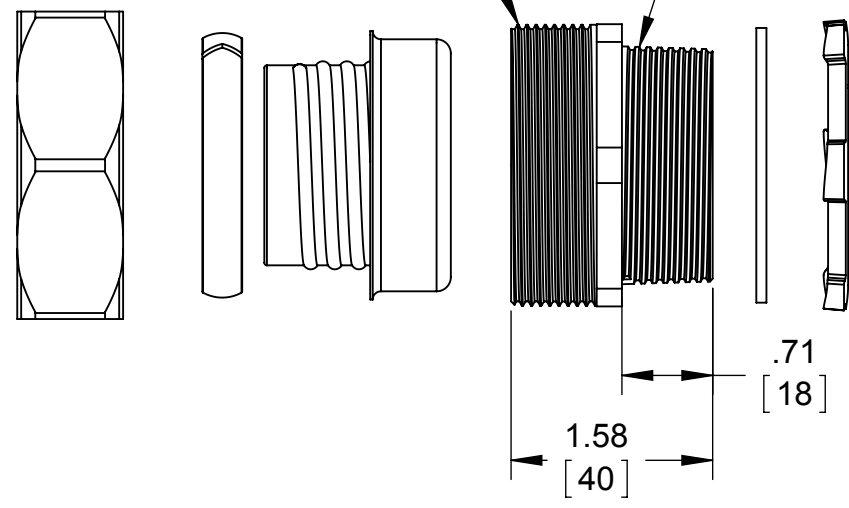


**LIST OF PARTS**

DESCRIPTION	MATERIAL	FINISH
STRAIGHT BODY	MALEABLE IRON	GALVANIZED
FERRULE	STEEL	GALVANIZED
GLAND RING	NYLON	YELLOW
COMPRESSION NUT	MALEABLE IRON	GALVANIZED
WASHER	NYLON	YELLOW
LOCK NUT	STEEL	GALVANIZED



2.213-14 CUSTOM THREAD      1-1/2-11.5 NPT



**NOTES:**  
 1. ALL DIMENSIONS ARE IN INCHES AND [MILLIMETERS]  
 2. cULus LISTED

INITIAL RELEASE	J.R.	03/16/2015
SYM.	REVISION DESCRIPTION	APP DATE

THE DESIGN AND DIMENSIONS OF THE PRODUCT SHOWN ON THIS DRAWING ARE SUBJECT TO CHANGE WITHOUT NOTICE

TITLE:  
**3406 1-1/2" LIQUIDTIGHT STRAIGHT CONNECTOR**

TOLERANCE UNLESS OTHERWISE SPECIFIED		<b>RACO</b> South Bend, Indiana	
DRAWN BY:	J.R.	SCALE:	2:3
APP. BY:	M.C.		
DATE:	03/16/2015		

.XX DECIMAL ±.015  
 .XXX DECIMAL ±.005  
 ANGLE ±2°