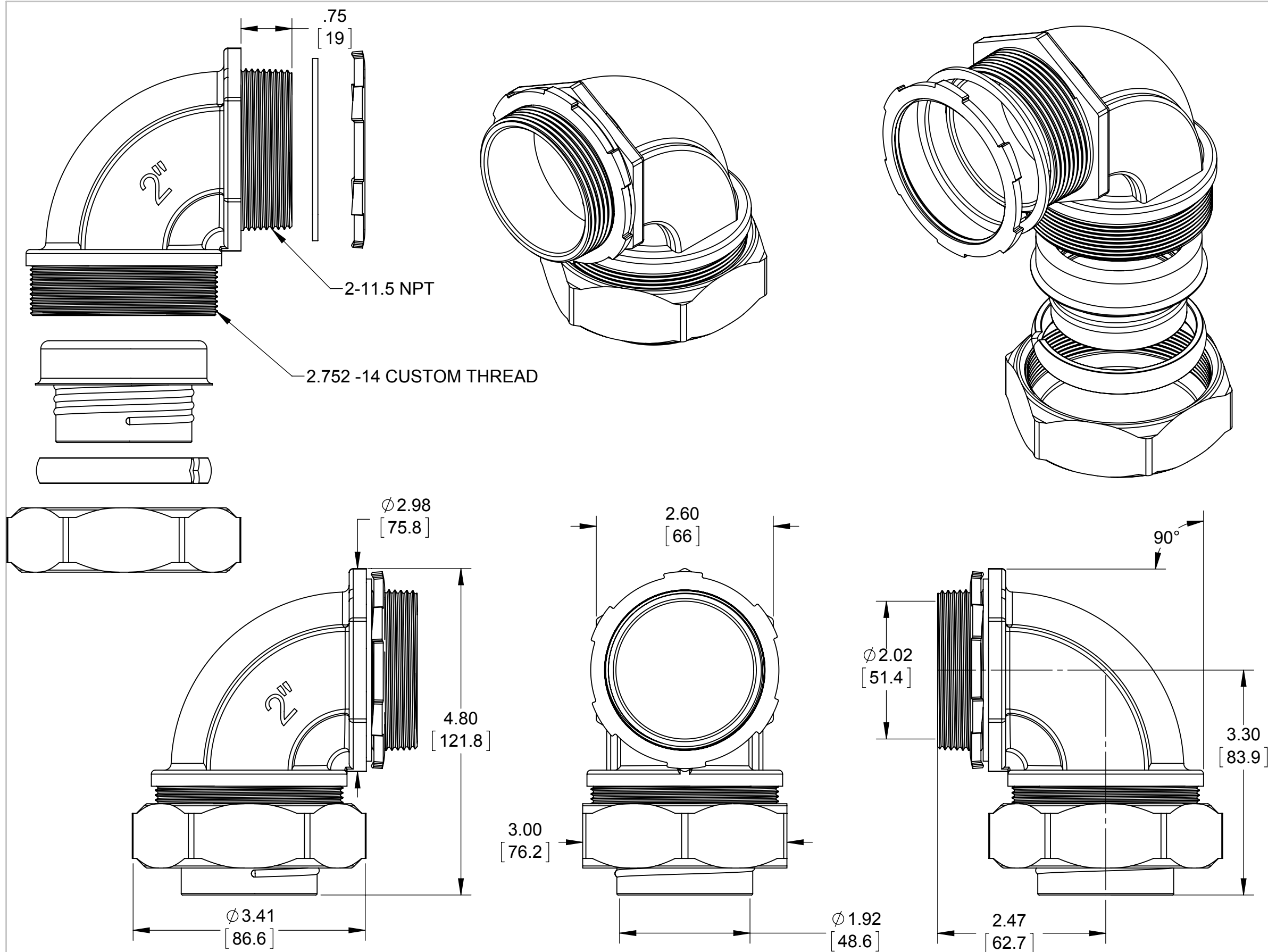


LIST OF PARTS

DESCRIPTION	MATERIAL	FINISH
90° BODY	MALEABLE IRON	GALVANIZED
FERRULE	STEEL	GALVANIZED
GLAND RING	NYLON	YELLOW
COMPRESSION NUT	MALEABLE IRON	GALVANIZED
WASHER	NYLON	YELLOW
LOCK NUT	STEEL	GALVANIZED



NOTES:
 1. ALL DIMENSIONS ARE IN INCHES AND [MILLIMETERS]
 2. cULus LISTED

SYM.	REVISION DESCRIPTION	APP	DATE
	INITIAL RELEASE	J.R.	03/25/2015

THE DESIGN AND DIMENSIONS OF THE PRODUCT SHOWN ON THIS DRAWING ARE SUBJECT TO CHANGE WITHOUT NOTICE

TITLE:
3428 2" LIQUIDTIGHT 90° CONNECTOR

TOLERANCE UNLESS OTHERWISE SPECIFIED		RACO South Bend, Indiana		SIZE: B
.XX DECIMAL ±.015	.XXX DECIMAL ±.005			
DRAWN BY:	J.R.	SCALE:	2:3	
APP. BY:	M.C.	DATE:		