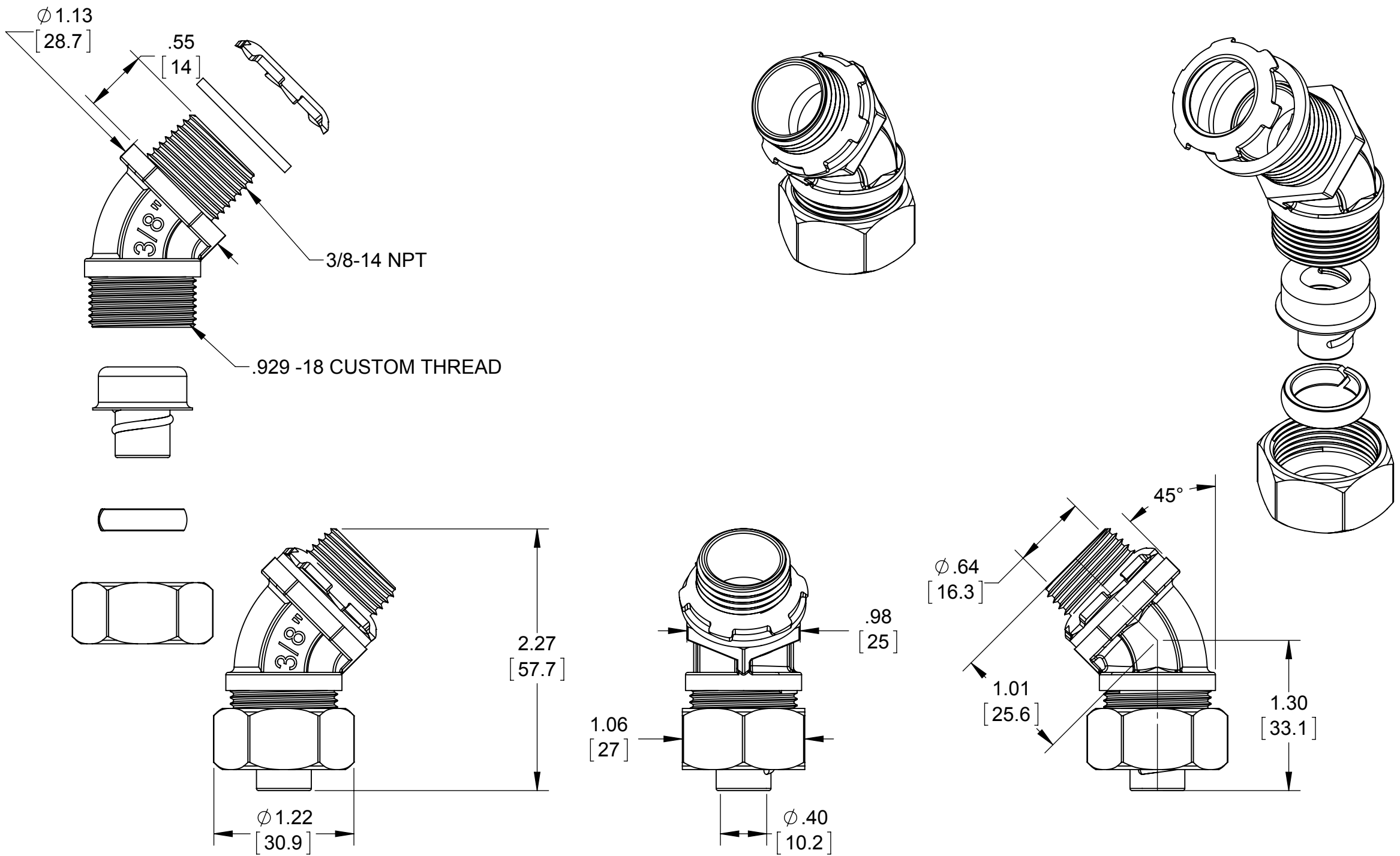


LIST OF PARTS

DESCRIPTION	MATERIAL	FINISH
45° BODY	MALEABLE IRON	GALVANIZED
FERRULE	STEEL	GALVANIZED
GLAND RING	NYLON	YELLOW
COMPRESSION NUT	STEEL	GALVANIZED
WASHER	NYLON	YELLOW
LOCK NUT	STEEL	GALVANIZED



NOTES:
 1. ALL DIMENSIONS ARE IN INCHES AND [MILLIMETERS]
 2. cULus LISTED

INITIAL RELEASE	J.R.	03/17/2015
SYM. REVISION DESCRIPTION	APP	DATE

THE DESIGN AND DIMENSIONS OF THE PRODUCT SHOWN ON THIS DRAWING ARE SUBJECT TO CHANGE WITHOUT NOTICE

TITLE:
3441 3/8" LIQUIDTIGHT 45° CONNECTOR

TOLERANCE UNLESS OTHERWISE SPECIFIED .XX DECIMAL ±.015 .XXX DECIMAL ±.005 ANGLE ±2°		RACO South Bend, Indiana	
DRAWN BY:	J.R.	SCALE:	1:1
APP. BY:	M.C.	DATE:	03/17/2015