

| CAT.   | SIZE   | A               | B               | C               | D               | E              | F              | G              | H              | J              | K                       | L                        |
|--------|--------|-----------------|-----------------|-----------------|-----------------|----------------|----------------|----------------|----------------|----------------|-------------------------|--------------------------|
| 3511DC | 3/8"   | 1.55<br>[39.4]  | 1.28<br>[32.5]  | 1.28<br>[32.5]  | 1.37<br>[34.8]  | 0.61<br>[15.5] | 1.16<br>[29.5] | 0.78<br>[19.8] | 0.59<br>[15]   | 0.47<br>[11.9] | 1/2" - 14<br>NPT        | 1 3/16" - 18<br>UNEF     |
| 3512DC | 1/2"   | 1.49<br>[37.8]  | 1.28<br>[32.5]  | 1.29<br>[32.8]  | 1.38<br>[35.1]  | 0.61<br>[15.5] | 1.07<br>[27.2] | 0.8<br>[20.3]  | 0.58<br>[14.7] | 0.48<br>[12.2] | 1/2" - 14<br>NPT        | 1 3/16" - 18<br>UNEF     |
| 3513DC | 3/4"   | 1.52<br>[38.6]  | 1.48<br>[37.6]  | 1.58<br>[40.1]  | 1.69<br>[42.9]  | 0.82<br>[20.8] | 1.05<br>[26.7] | 0.81<br>[20.6] | 0.81<br>[20.6] | 0.52<br>[13.2] | 3/4" - 14<br>NPT        | 1 7/16" -<br>18UNEF      |
| 3514DC | 1"     | 1.95<br>[49.5]  | 1.75<br>[44.5]  | 1.84<br>[46.7]  | 1.94<br>[49.3]  | 1<br>[25.4]    | 1.36<br>[34.5] | 1.09<br>[27.7] | 0.7<br>[17.8]  | 0.65<br>[16.5] | 1" - 11-1/2<br>NPT      | 1" - 11/16<br>UNEF       |
| 3515DC | 1-1/4" | 1.95<br>[49.5]  | 2.23<br>[56.6]  | 2.27<br>[57.7]  | 2.42<br>[61.5]  | 1.36<br>[34.5] | 1.5<br>[38.1]  | 1.09<br>[27.7] | 0.85<br>[21.6] | 0.65<br>[16.5] | 1 1/4" - 11-<br>1/2 NPT | 2 1/8" - 16<br>UNEF      |
| 3516DC | 1-1/2" | 2.05<br>[52.1]  | 2.48<br>[63]    | 2.48<br>[63]    | 2.64<br>[67.1]  | 1.6<br>[40.6]  | 1.45<br>[36.8] | 1.21<br>[30.7] | 0.85<br>[21.6] | 0.71<br>[18]   | 1 1/2" - 11-<br>1/2 NPT | 2 3/8" - 16<br>UNEF      |
| 3518DC | 2"     | 2.04<br>[51.8]  | 2.9<br>[73.7]   | 3.01<br>[76.5]  | 3.25<br>[82.6]  | 2.07<br>[52.6] | 1.48<br>[37.6] | 0.13<br>[3.3]  | 0.84<br>[21.3] | 0.64<br>[16.3] | 2" - 11-1/2<br>NPT      | 2 1/2" - 11-<br>1/2 UNEF |
| 3520DC | 2-1/2" | 3.43<br>[87.1]  | 3.58<br>[90.9]  | 3.78<br>[96]    | 4.13<br>[104.9] | 2.52<br>[64]   | 2.02<br>[51.3] | 2.12<br>[53.9] | 1.24<br>[31.5] | 0.96<br>[24.4] | 2 1/2" - 8<br>NPT       | 3 1/2" - 14<br>UNS       |
| 3522DC | 3"     | 3.43<br>[87.1]  | 4.21<br>[106.9] | 4.35<br>[110.5] | 4.9<br>[124.5]  | 3.15<br>[80]   | 2.2<br>[55.9]  | 2.13<br>[54.1] | 1.2<br>[30.5]  | 0.98<br>[24.9] | 3" - 8 NPT              | 4" - 14 UNS              |
| 3524DC | 3-1/2" | 4.08<br>[103.6] | 4.77<br>[121.2] | 4.85<br>[123.2] | 5.49<br>[139.4] | 3.6<br>[91.4]  | 2.39<br>[60.7] | 2.57<br>[65.3] | 1.22<br>[31]   | 1<br>[25.4]    | 3 1/2" - 8<br>NPT       | 4 1/2" - 14<br>UNS       |
| 3526DC | 4"     | 4.05<br>[102.9] | 5.17<br>[131.3] | 5.25<br>[133.4] | 5.94<br>[150.9] | 4.1<br>[104.1] | 2.35<br>[59.7] | 2.55<br>[64.8] | 1.22<br>[31]   | 1.18<br>[30]   | 4" - 8 NPT              | 5" - 14 UNS              |

| TIGHTENING TORQUE     |                   |                   |          |
|-----------------------|-------------------|-------------------|----------|
| TRADE SIZE OF FITTING | METRIC DESIGNATOR | TIGHTENING TORQUE |          |
|                       |                   | N-m               | (lbf-in) |
| 1/4a                  | 10                | 19.8              | 175      |
| 3/8                   | 12                | 22.6b             | 200      |
| 1/2                   | 16                | 33.9              | 300      |
| 3/4                   | 21                | 56.5              | 500      |
| 1                     | 27                | 79.1              | 700      |
| 1-1/4                 | 35                | 113               | 1000     |
| 1-1/2                 | 41                | 136               | 1200     |
| 2                     | 53                | 181               | 1600     |
| 2-1/2                 | 63                | 181               | 1600     |
| 3                     | 78                | 181               | 1600     |
| 3-1/2                 | 91                | 181               | 1600     |
| 4                     | 103               | 181               | 1600     |

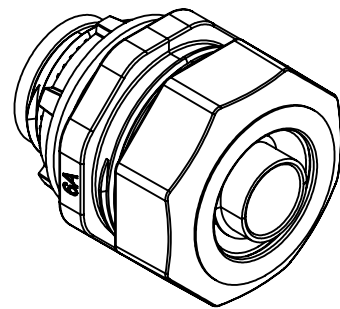
a APPLIES TO FLEXIBLE CORD FITTINGS ONLY

b A 3/8 (12) TRADE-SIZE FITTING FOR USE WITH LIQUID-TIGHT FLEXIBLE METAL CONDUIT SHALL BE TIGHTENED WITH A TORQUE OF 26.5 N-M (235 LBF-IN).

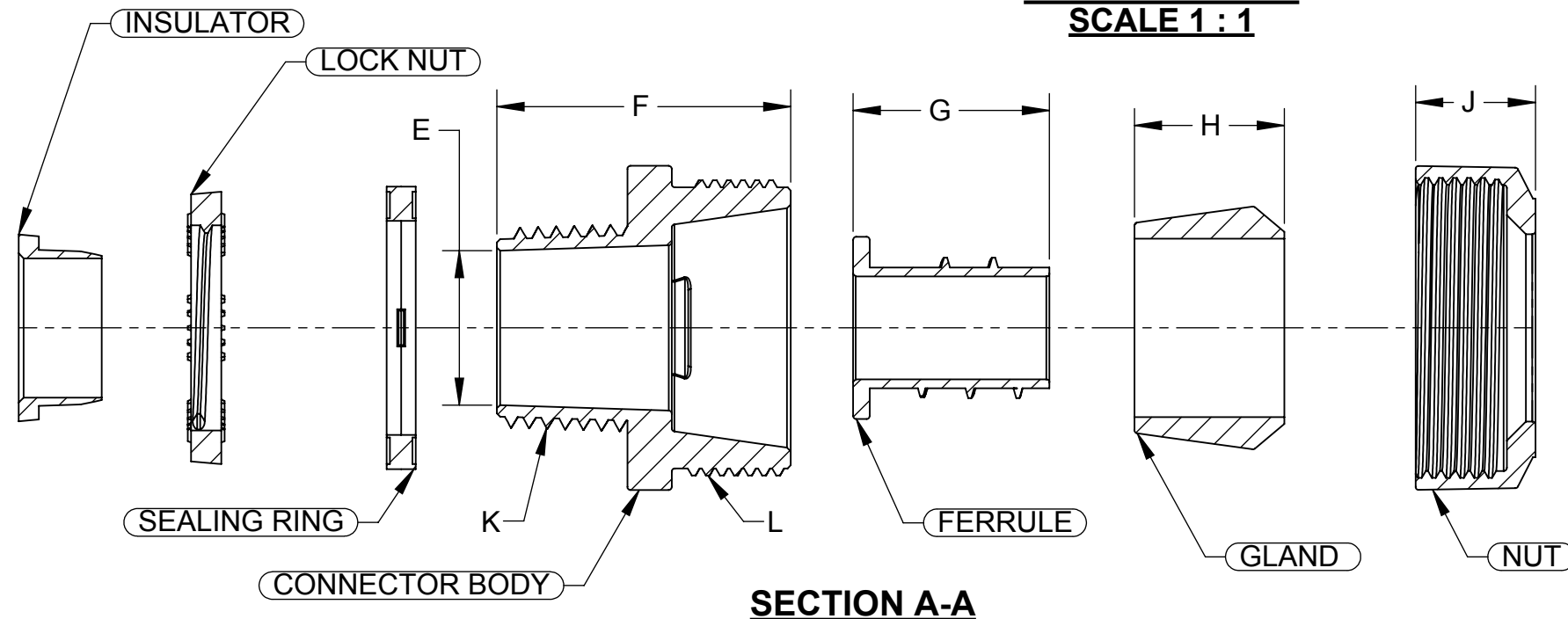
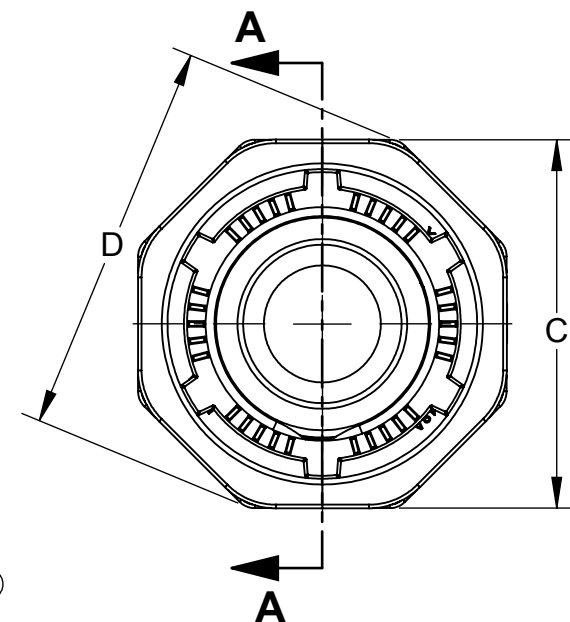
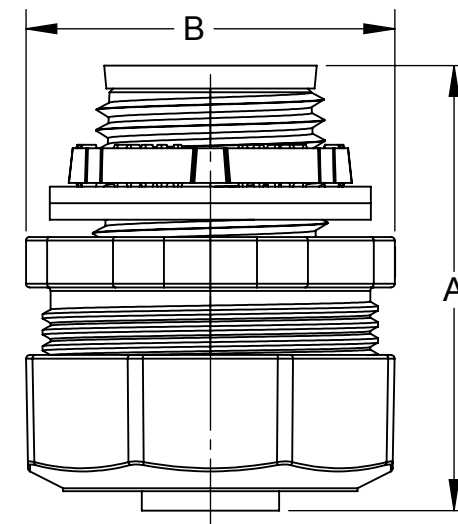
| LIST OF PARTS |               |           |
|---------------|---------------|-----------|
| DESCRIPTION   | MATERIAL      | FINISH    |
| BODY          | ZINC ALLOY    | BURNISHED |
| NUT           | ZINC ALLOY    | BURNISHED |
| LOCK NUT      | ZINC ALLOY    | BURNISHED |
| FERRULE       | ZINC ALLOY    | BURNISHED |
| SEALING RING  | POLYPROPYLENE | PURPLE    |
| GLAND         | POLYPROPYLENE | PURPLE    |
| INSULATOR     | POLYCARBONATE | PURPLE    |

**NOTES:**

- ALL DIMENSIONS ARE IN INCHES AND [MILLIMETERS].
- LOCKNUT SHALL BE HAND-TIGHTENED AND THEN FURTHER TIGHTENED 1/4 TURN WITH A HAMMER AND A FLAT BLADED SCREWDRIVER OR BY AN EQUIVALENT METHOD.
- cULus LISTED.



**ISOMETRIC VIEW  
SCALE 1 : 1**



|                                                                                                     |                             |            |
|-----------------------------------------------------------------------------------------------------|-----------------------------|------------|
| INITIAL RELEASE                                                                                     | F.P.                        |            |
| REVISION DESCRIPTION                                                                                | APP                         | DATE       |
| THE DESIGN AND DIMENSIONS OF THE PRODUCT SHOWN ON THIS DRAWING ARE SUBJECT TO CHANGE WITHOUT NOTICE |                             |            |
| TITLE:<br><b>ZINC DIE-CAST LIQUID TIGHT CONNECTOR-INSULATED CUS</b>                                 |                             |            |
| TOLERANCE UNLESS OTHERWISE SPECIFIED                                                                |                             |            |
| .XX DECIMAL ±.015                                                                                   | RACO<br>South Bend, Indiana |            |
| .XXX DECIMAL ±.005                                                                                  | DRAWN BY: S.K               | SCALE: 3:2 |
| ANGLE ±2°                                                                                           | APP. BY: S.J.               |            |
|                                                                                                     | DATE: 05/03/2017            |            |