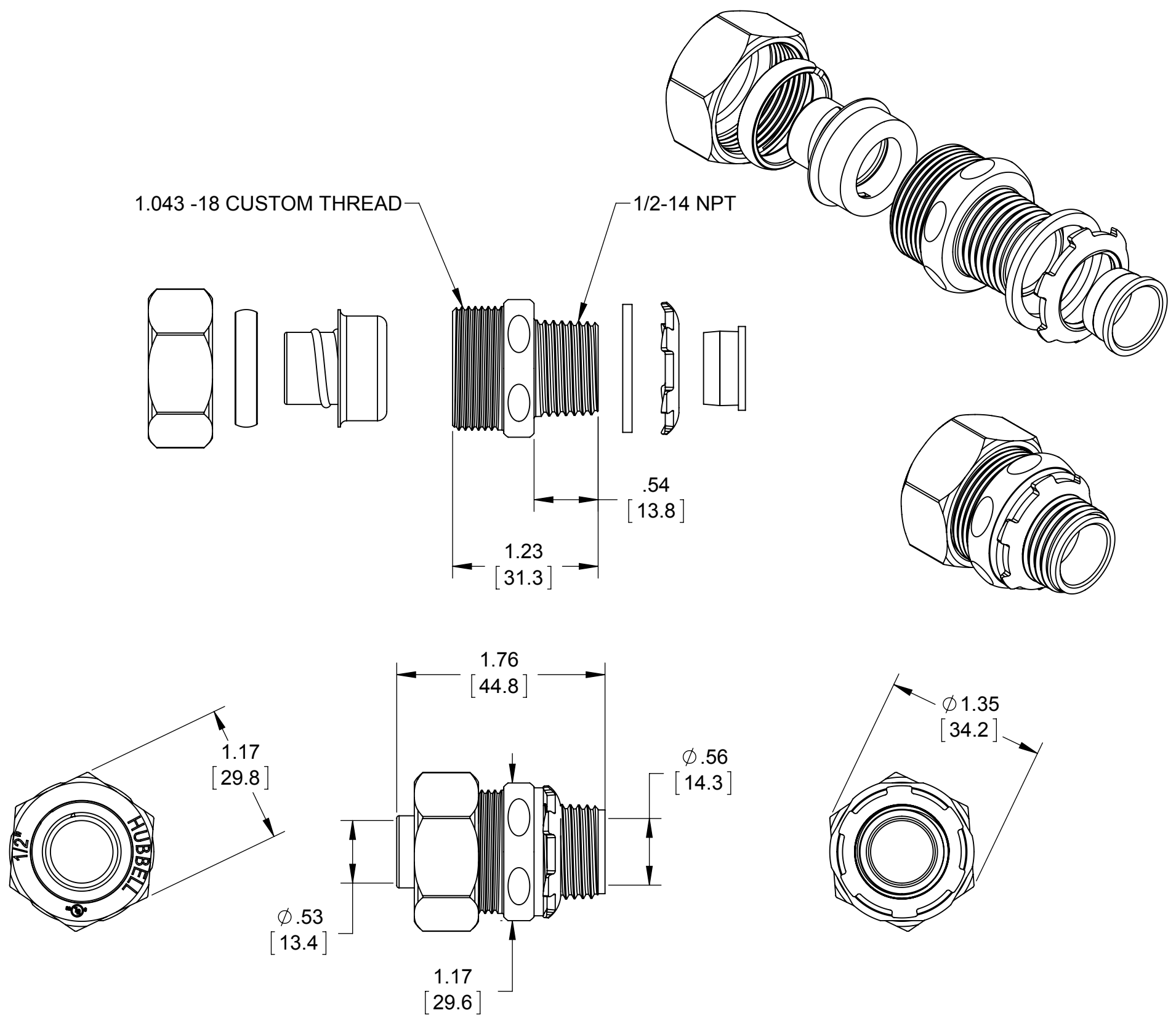


**LIST OF PARTS**

DESCRIPTION	MATERIAL	FINISH
STRAIGHT BODY	STEEL	GALVANIZED
FERRULE	STEEL	GALVANIZED
GLAND RING	NYLON	YELLOW
COMPRESSION NUT	STEEL	GALVANIZED
WASHER	NYLON	YELLOW
LOCK NUT	STEEL	GALVANIZED
INSULATION BUSHING	NYLON	YELLOW



NOTES:  
 1. ALL DIMENSIONS ARE IN INCHES AND [MILLIMETERS]  
 2. cULus LISTED

INITIAL RELEASE	J.R.	03/12/2015
SYM.	REVISION DESCRIPTION	APP DATE

THE DESIGN AND DIMENSIONS OF THE PRODUCT SHOWN ON THIS DRAWING ARE SUBJECT TO CHANGE WITHOUT NOTICE

TITLE:  
**3512RAC 1/2" LIQUIDTIGHT INSULATED STRAIGHT CONNECTOR**

TOLERANCE UNLESS OTHERWISE SPECIFIED  .XX DECIMAL ±.015 .XXX DECIMAL ±.005 ANGLE ±2°	<b>RACO</b> South Bend, Indiana		SIZE: <b>B</b>
	DRAWN BY:	J.R.	SCALE:
	APP. BY:	M.C.	1:1
DATE:	03/12/2015		