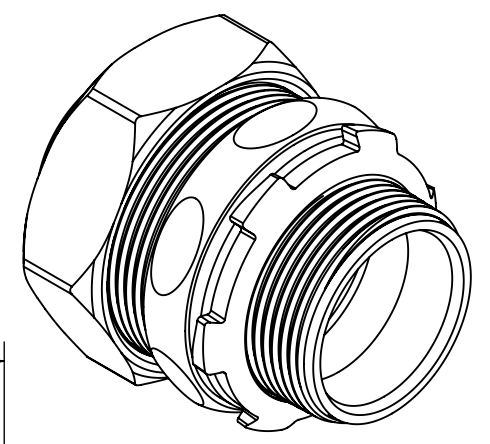
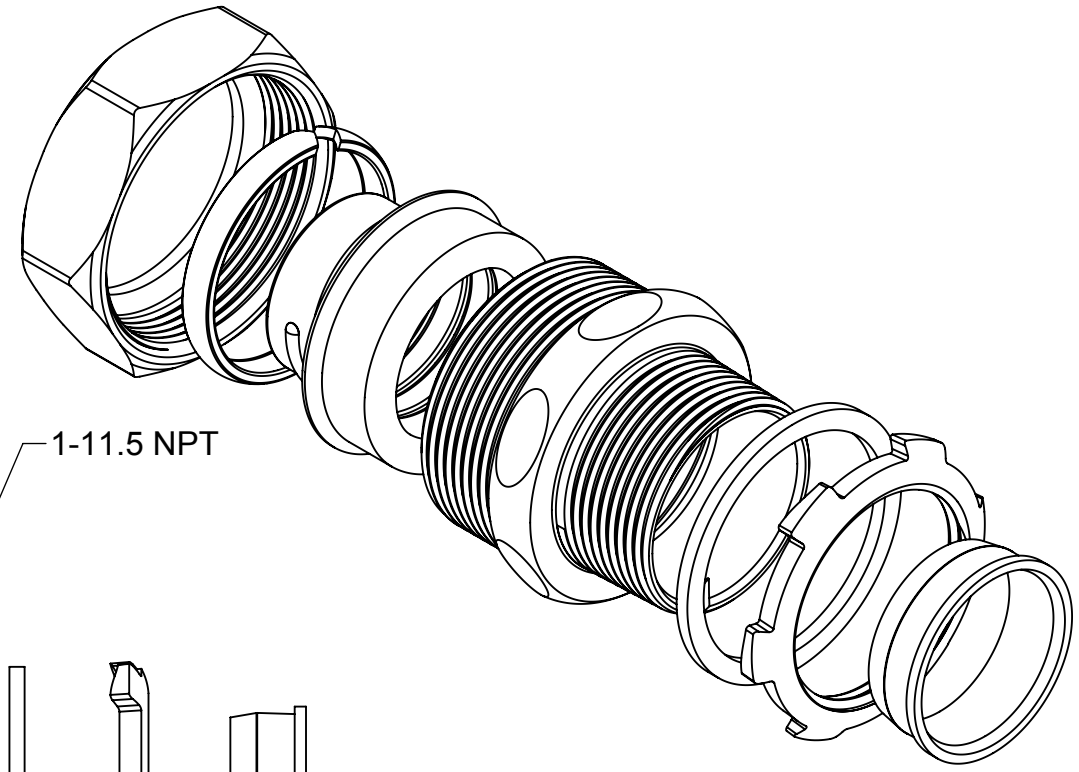


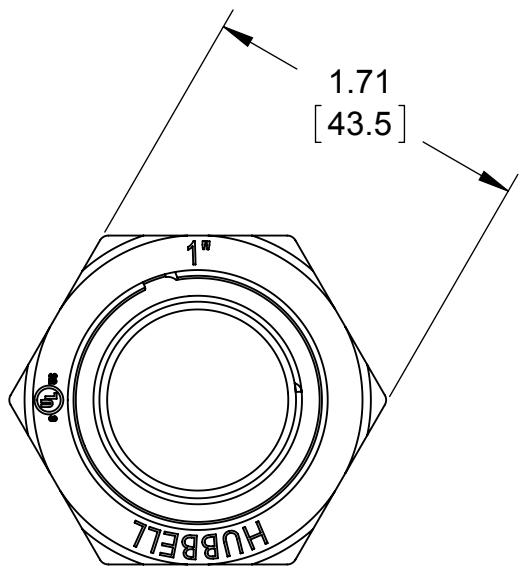
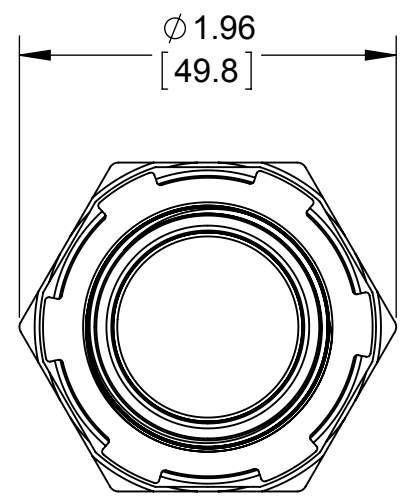
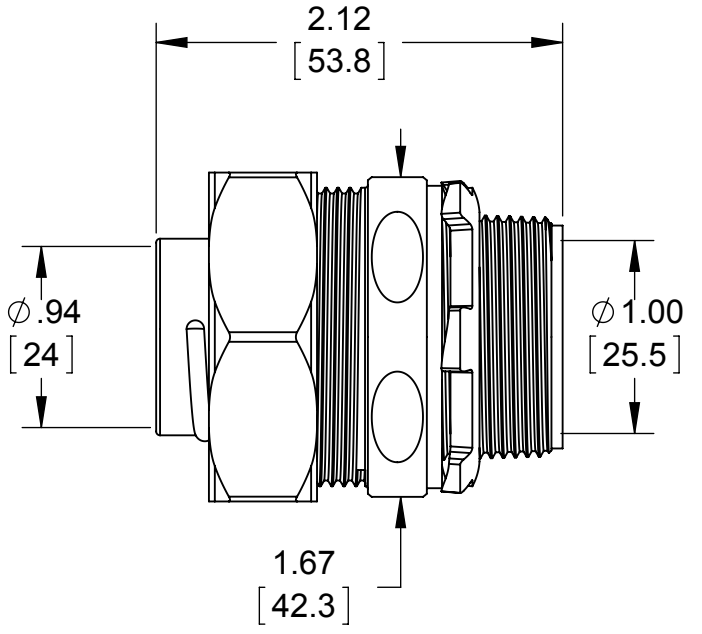
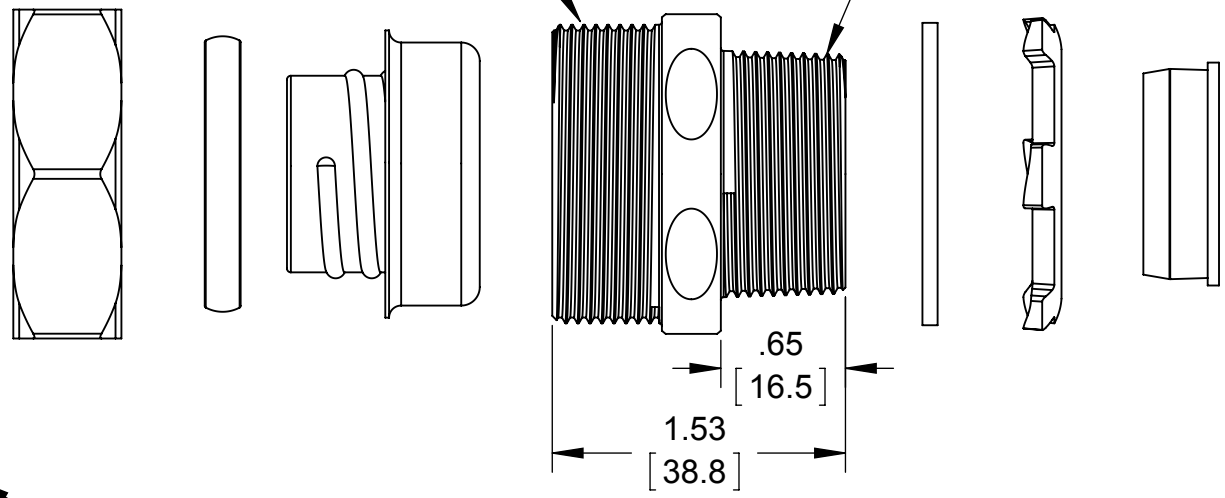
**LIST OF PARTS**

DESCRIPTION	MATERIAL	FINISH
STRAIGHT BODY	STEEL	GALVANIZED
FERRULE	STEEL	GALVANIZED
GLAND RING	NYLON	YELLOW
COMPRESSION NUT	STEEL	GALVANIZED
WASHER	NYLON	YELLOW
LOCK NUT	STEEL	GALVANIZED
INSULATION BUSHING	NYLON	YELLOW



1.555 -16 CUSTOM THREAD

1-11.5 NPT



NOTES:  
1. ALL DIMENSIONS ARE IN INCHES AND [MILLIMETERS]  
2. cULus LISTED

INITIAL RELEASE	J.R.	03/12/2015
SYM.	REVISION DESCRIPTION	APP DATE

THE DESIGN AND DIMENSIONS OF THE PRODUCT SHOWN ON THIS DRAWING ARE SUBJECT TO CHANGE WITHOUT NOTICE

TITLE:  
**3514RAC 1" LIQUIDTIGHT INSULATED STRAIGHT CONNECTOR**

TOLERANCE UNLESS OTHERWISE SPECIFIED		<b>RACO</b> South Bend, Indiana	
DRAWN BY:	J.R.	SCALE:	1:1
APP. BY:	M.C.		
DATE:	03/12/2015		

.XX DECIMAL ±.015  
.XXX DECIMAL ±.005  
ANGLE ±2°