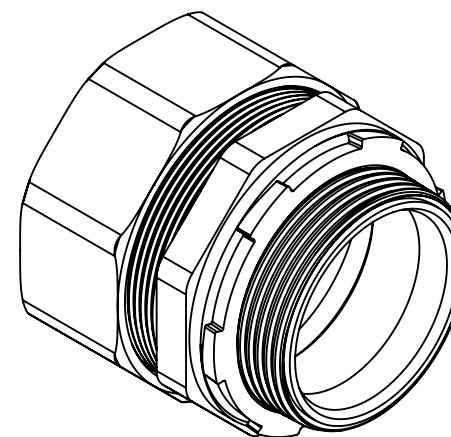
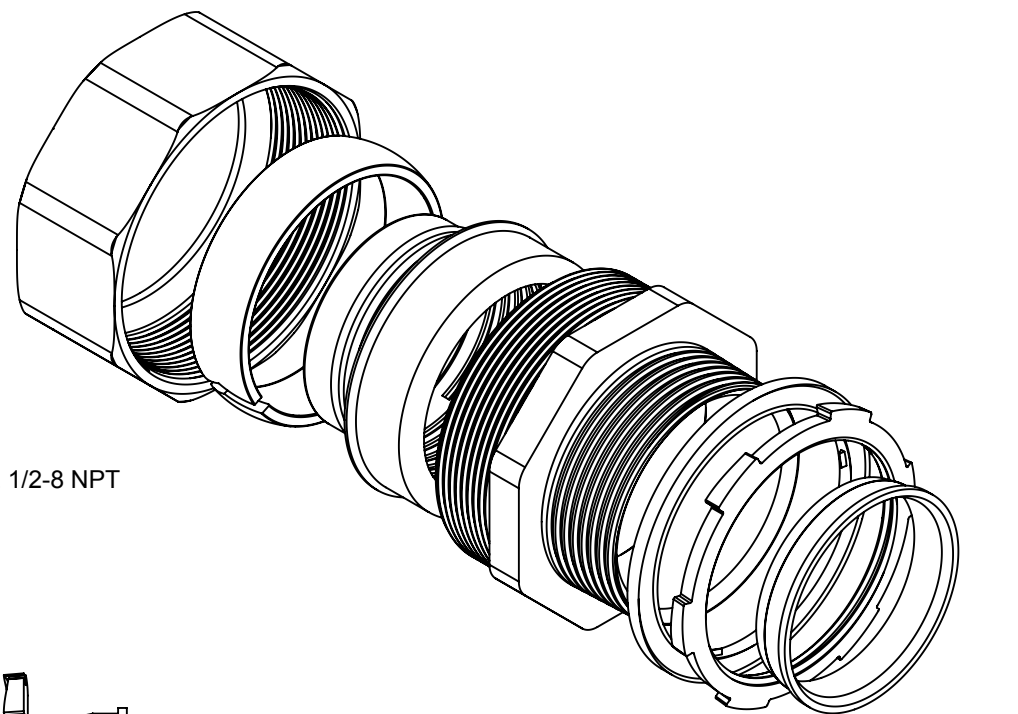
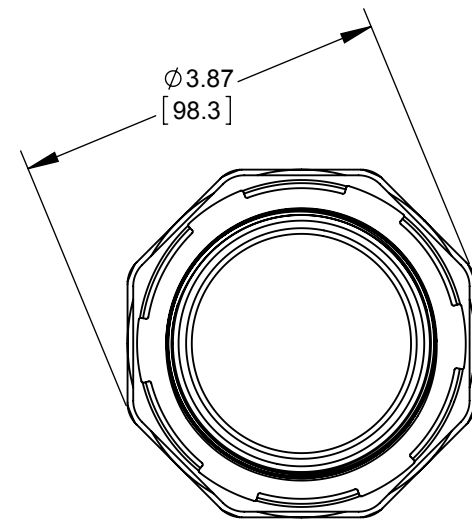
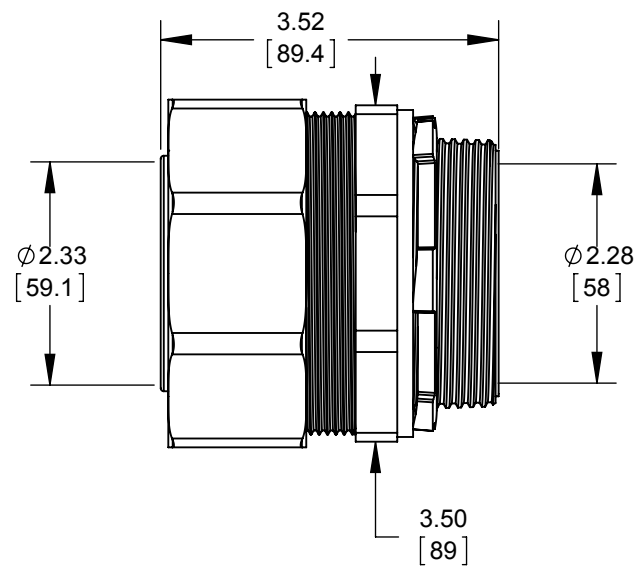
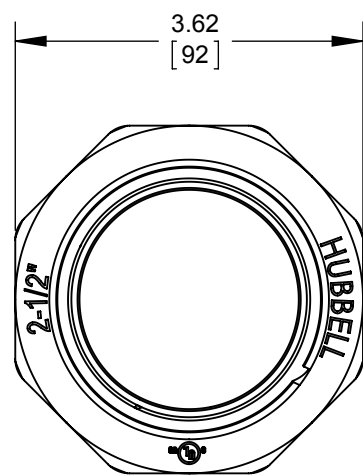
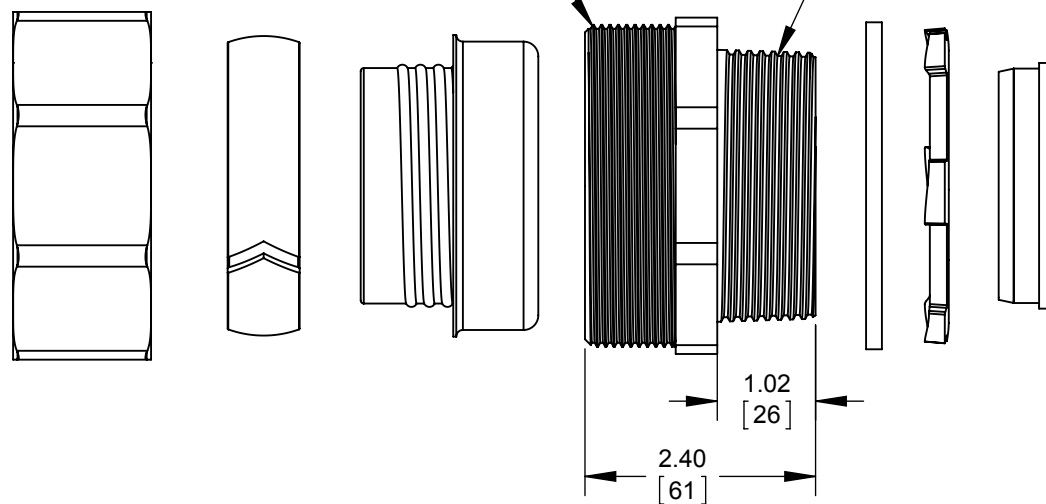


**LIST OF PARTS**

DESCRIPTION	MATERIAL	FINISH
STRAIGHT BODY	MALEABLE IRON	GALVANIZED
FERRULE	STEEL	GALVANIZED
GLAND RING	NYLON	YELLOW
COMPRESSION NUT	MALEABLE IRON	GALVANIZED
WASHER	NYLON	YELLOW
LOCK NUT	STEEL	GALVANIZED
INSULATION BUSHING	NYLON	YELLOW



3.354-11.5 CUSTOM THREAD      2 1/2-8 NPT



- NOTES:  
 1. ALL DIMENSIONS ARE IN INCHES AND [MILLIMETERS]  
 2. cULus LISTED

	INITIAL RELEASE	J.R.	03/17/2015
SYM.	REVISION DESCRIPTION	APP	DATE

THE DESIGN AND DIMENSIONS OF THE PRODUCT SHOWN ON THIS DRAWING ARE SUBJECT TO CHANGE WITHOUT NOTICE

TITLE:  
**3520 2-1/2" LIQUIDTIGHT INSULATED STRAIGHT CONNECTOR**

TOLERANCE UNLESS OTHERWISE SPECIFIED

.XX DECIMAL ±.015  
 .XXX DECIMAL ±.005  
 ANGLE ±2°

**RACO**  
 South Bend, Indiana

DRAWN BY:	J.R.	SCALE:
APP. BY:	M.C.	1:2
DATE:	03/17/2015	