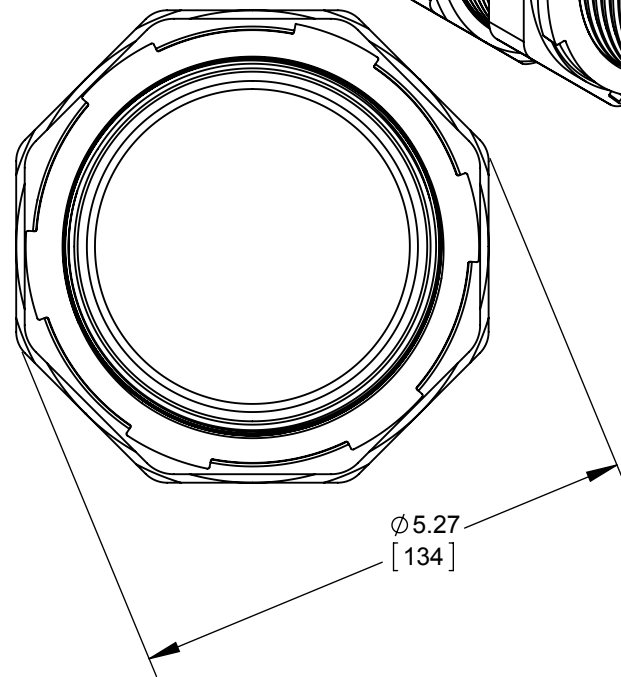
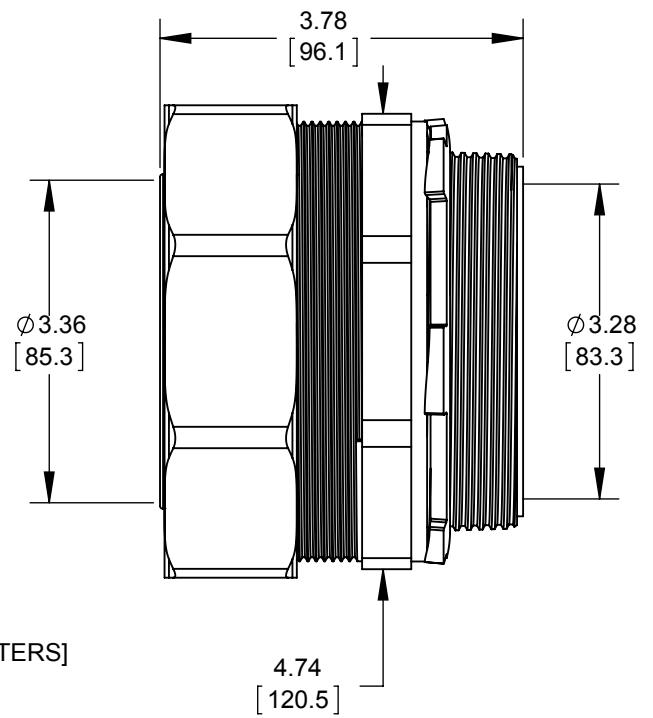
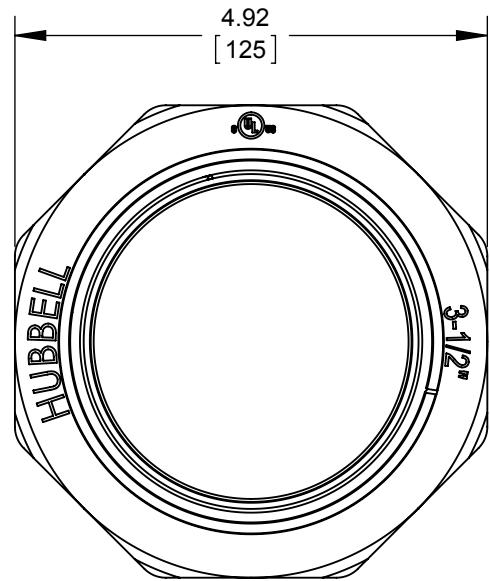
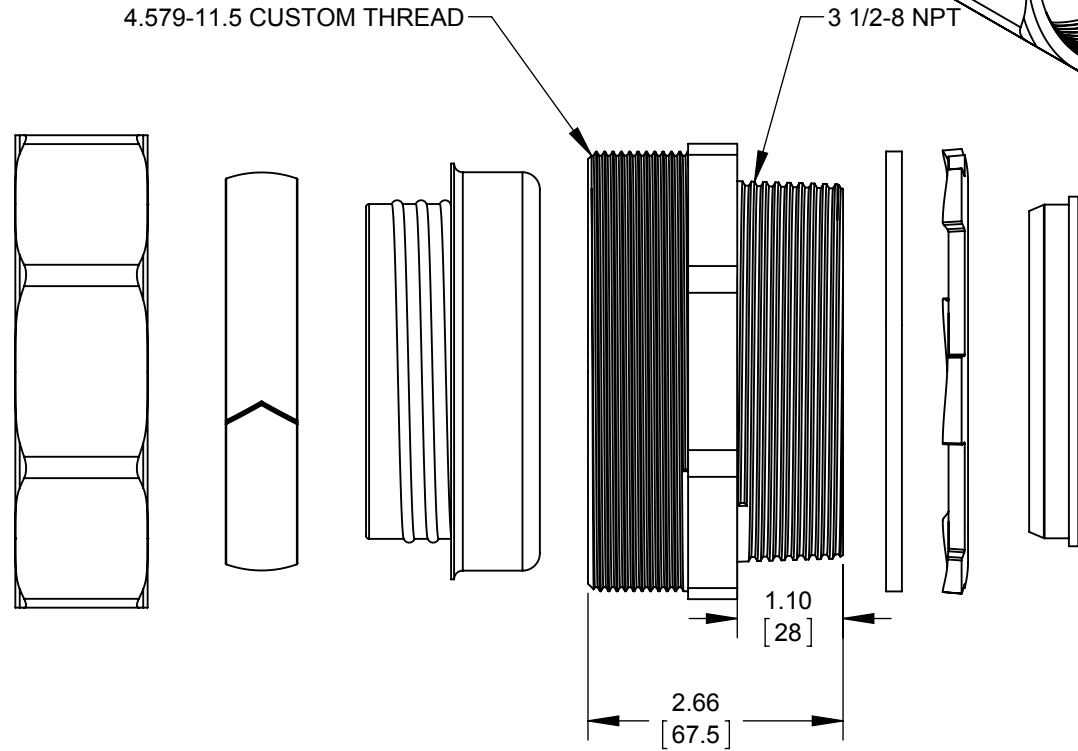
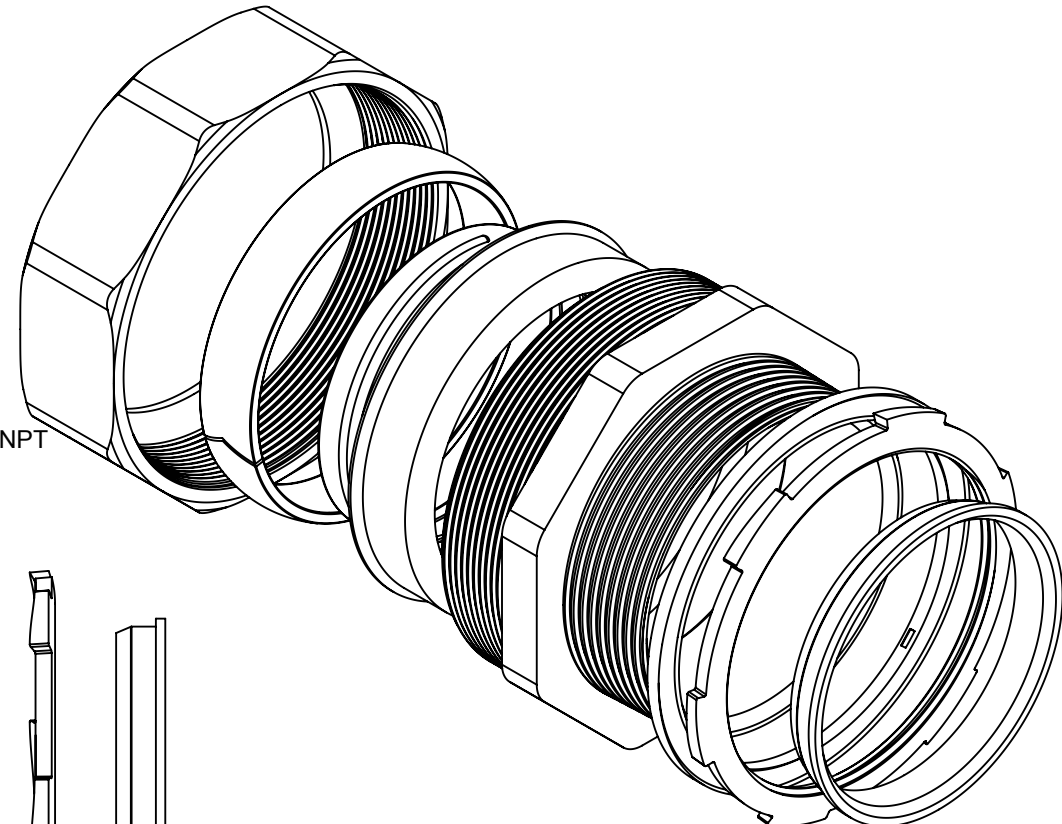


LIST OF PARTS

DESCRIPTION	MATERIAL	FINISH
STRAIGHT BODY	MALEABLE IRON	GALVANIZED
FERRULE	STEEL	GALVANIZED
GLAND RING	NYLON	YELLOW
COMPRESSION NUT	MALEABLE IRON	GALVANIZED
WASHER	NYLON	YELLOW
LOCK NUT	STEEL	GALVANIZED
INSULATION BUSHING	NYLON	YELLOW



NOTES:
1. ALL DIMENSIONS ARE IN INCHES AND [MILLIMETERS]
2. cULus LISTED

INITIAL RELEASE	J.R.	03/17/2015
SYM.	REVISION DESCRIPTION	APP DATE

THE DESIGN AND DIMENSIONS OF THE PRODUCT SHOWN ON THIS DRAWING ARE SUBJECT TO CHANGE WITHOUT NOTICE

TITLE:
3524 3-1/2" LIQUIDTIGHT INSULATED STRAIGHT CONNECTOR

TOLERANCE UNLESS OTHERWISE SPECIFIED .XX DECIMAL ±.015 .XXX DECIMAL ±.005 ANGLE ±2°	RACO South Bend, Indiana	
	DRAWN BY: J.R.	SCALE: 1:2
	APP. BY: M.C.	DATE: 03/17/2015

SIZE:
B