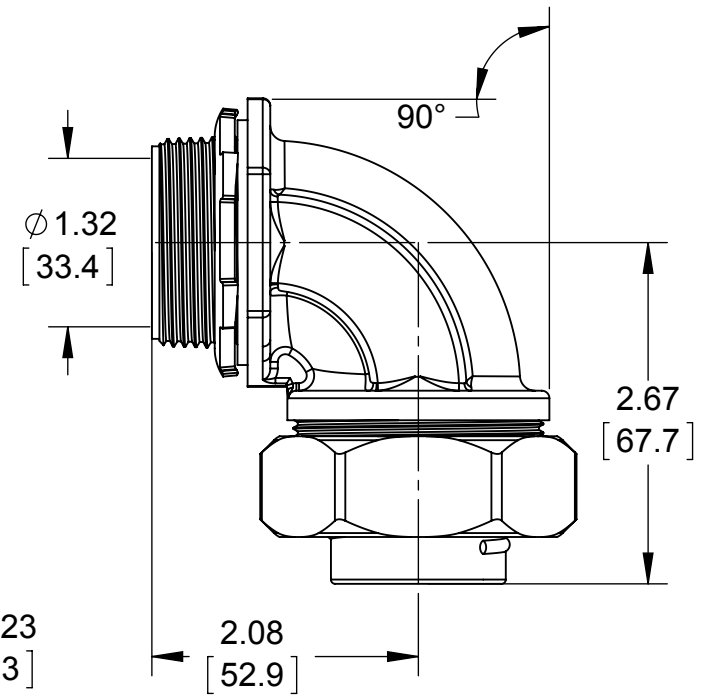
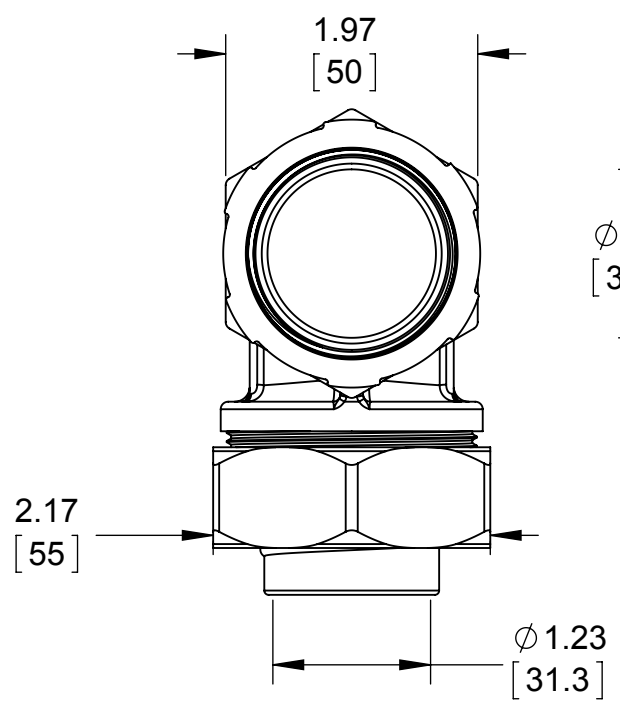
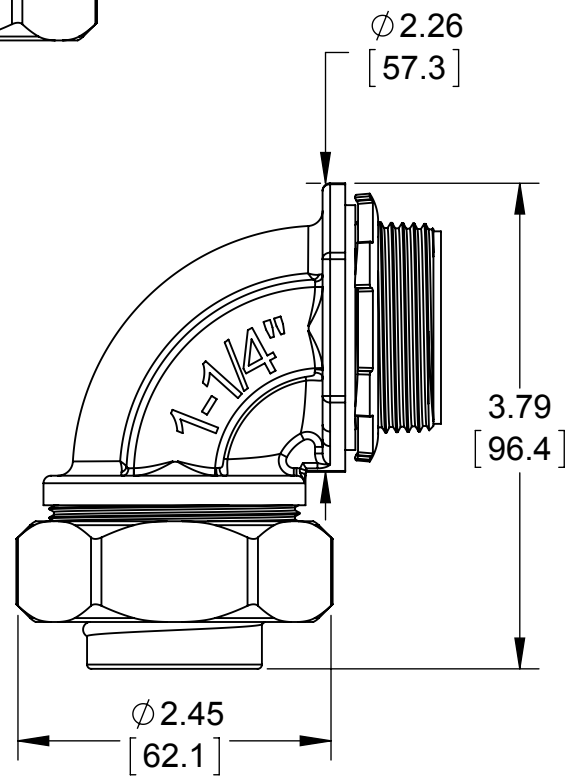
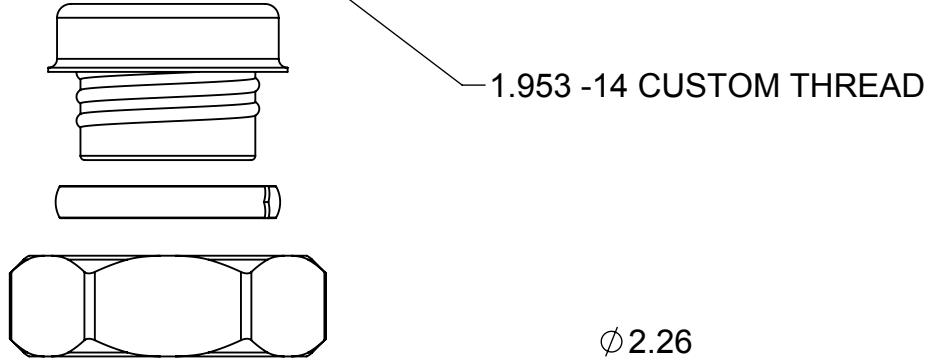
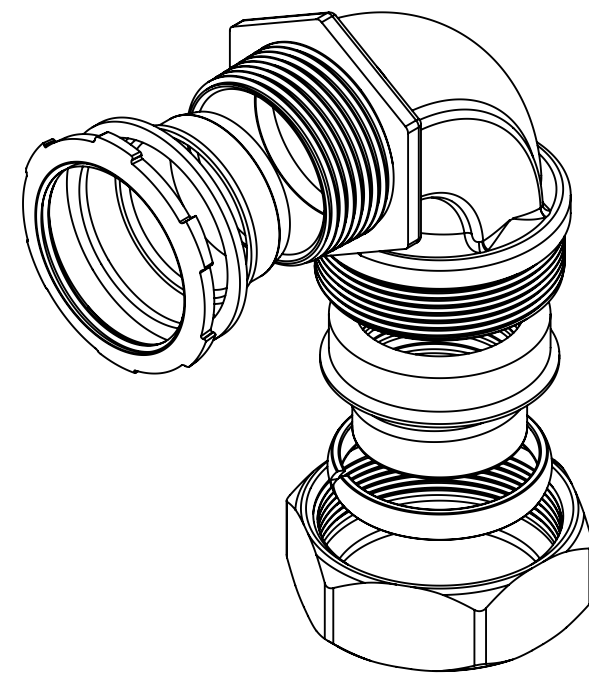
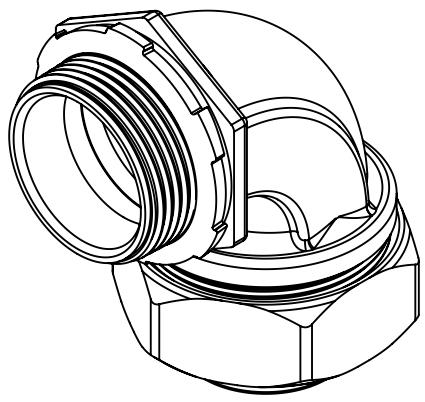
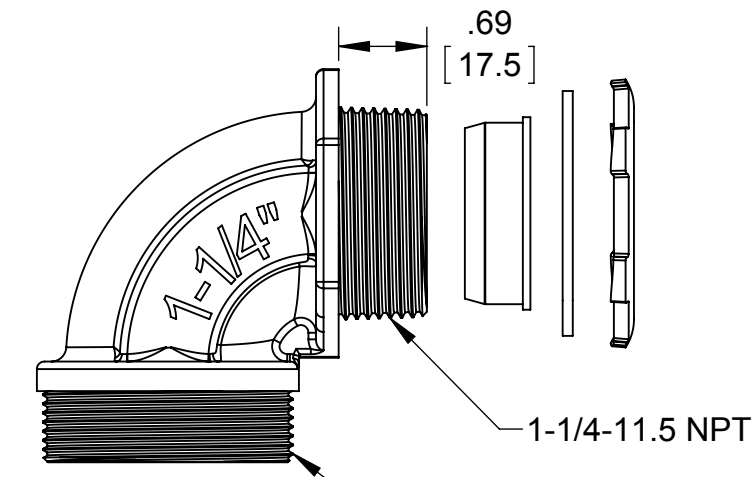


LIST OF PARTS

| DESCRIPTION | MATERIAL | FINISH |
|--------------------|---------------|------------|
| 90° BODY | MALEABLE IRON | GALVANIZED |
| FERRULE | STEEL | GALVANIZED |
| GLAND RING | NYLON | YELLOW |
| COMPRESSION NUT | MALEABLE IRON | GALVANIZED |
| WASHER | NYLON | YELLOW |
| LOCK NUT | STEEL | GALVANIZED |
| INSULATION BUSHING | NYLON | YELLOW |



NOTES:
 1. ALL DIMENSIONS ARE IN INCHES AND [MILLIMETERS]
 2. cULus LISTED

| | | |
|-----------------|----------------------|------------|
| INITIAL RELEASE | J.R. | 03/25/2015 |
| SYM. | REVISION DESCRIPTION | APP DATE |

THE DESIGN AND DIMENSIONS OF THE PRODUCT SHOWN ON THIS DRAWING ARE SUBJECT TO CHANGE WITHOUT NOTICE

TITLE:
3545 1-1/4" LIQUIDTIGHT INSULATED 90° CONNECTOR

| | | | |
|--------------------------------------|------------|------------------------------------|-----|
| TOLERANCE UNLESS OTHERWISE SPECIFIED | | RACO South Bend, Indiana | |
| DRAWN BY: | J.R. | SCALE: | 2:3 |
| APP. BY: | M.C. | | |
| DATE: | 03/25/2015 | | |