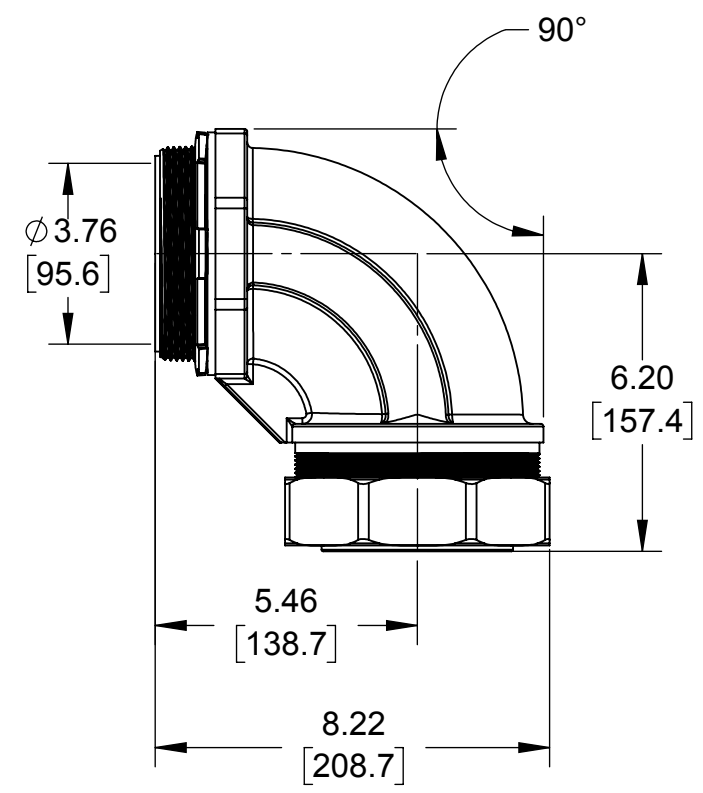
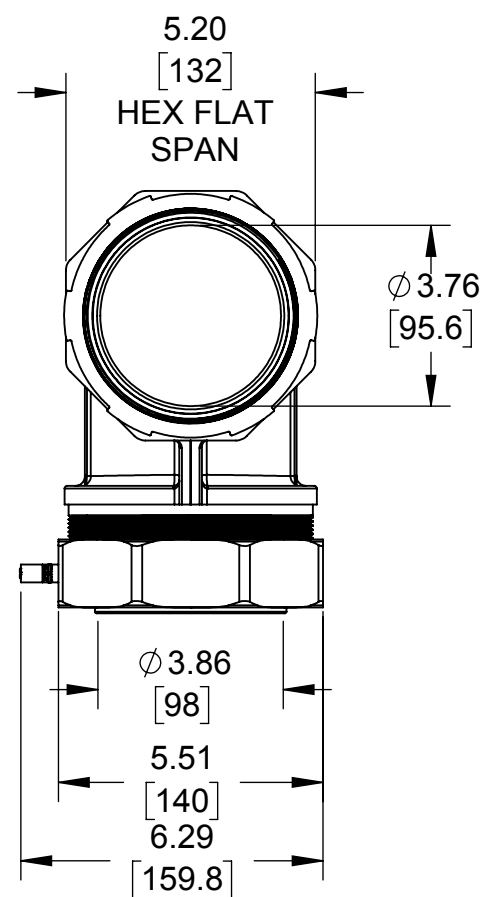
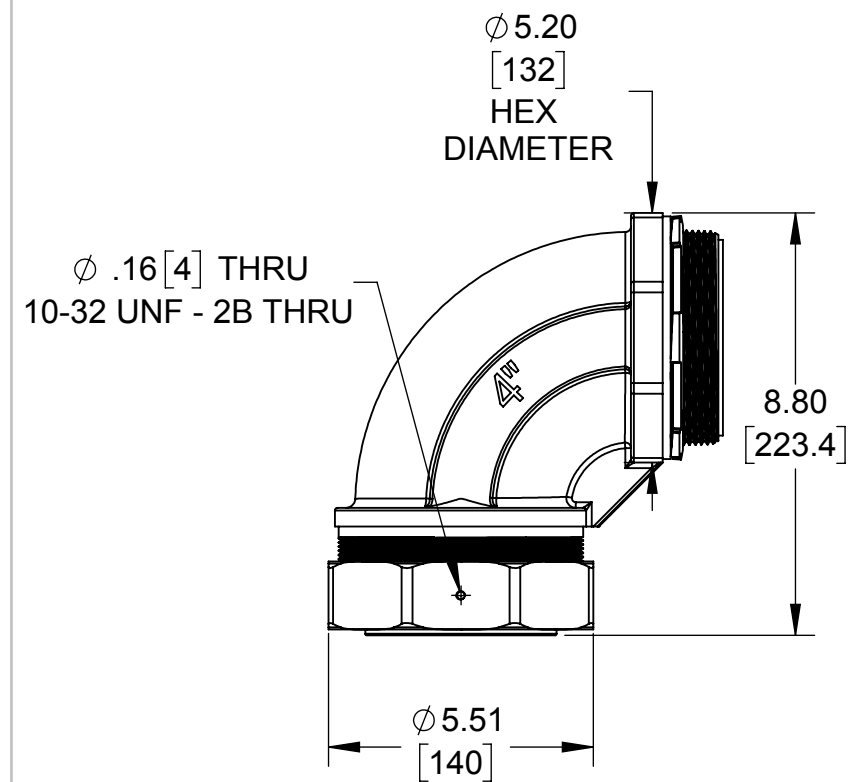
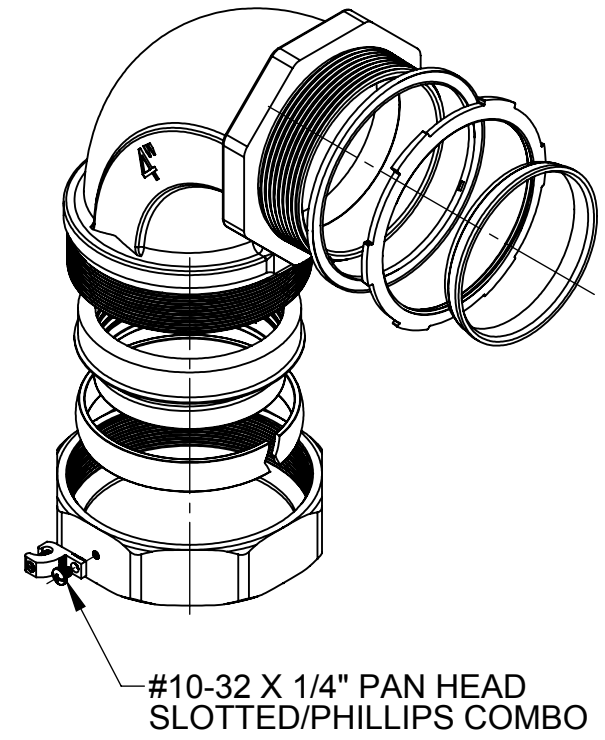
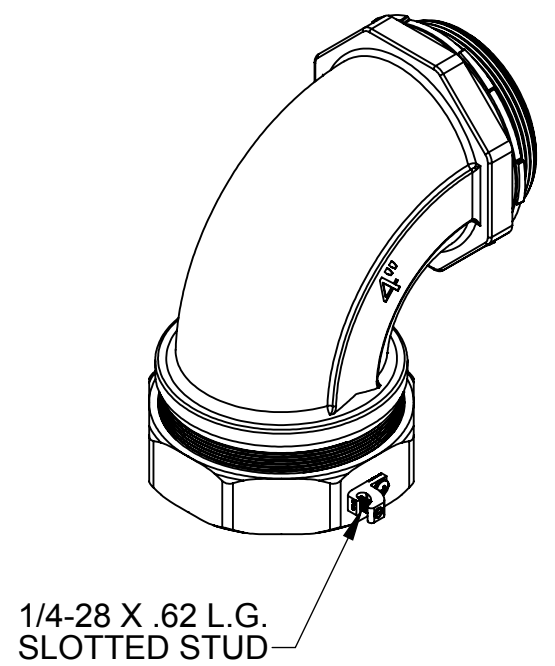
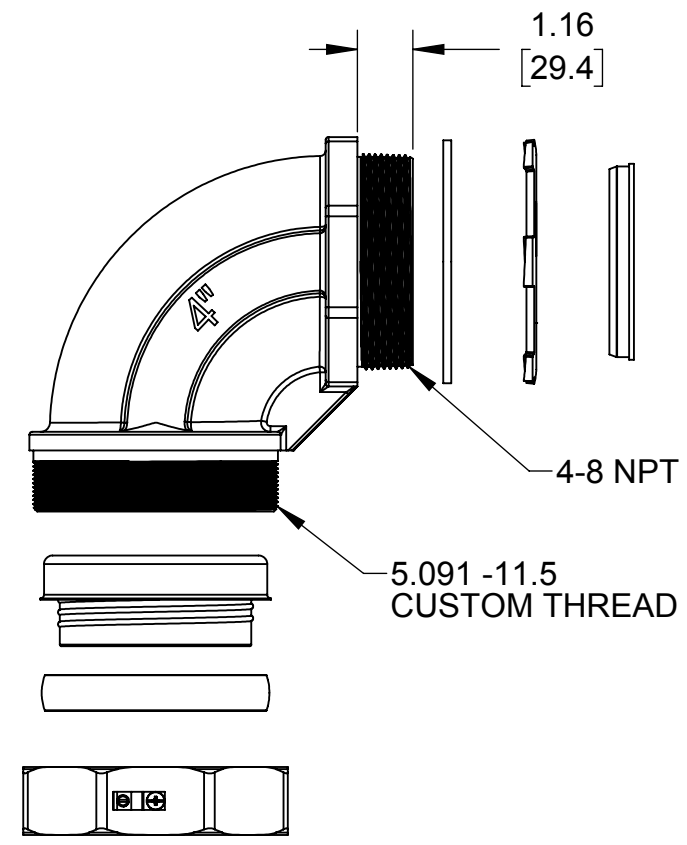


**LIST OF PARTS**

DESCRIPTION	MATERIAL	FINISH
90° BODY	MALEABLE IRON	GALVANIZED
FERRULE	STEEL	GALVANIZED
GLAND RING	NYLON	YELLOW
COMPRESSION NUT	MALEABLE IRON	GALVANIZED
WASHER	NYLON	YELLOW
LOCK NUT	STEEL	GALVANIZED
INSULATION BUSHING	NYLON	YELLOW
GROUNDING LUG	COPPER	NICKEL
MOUNTING SCREW	STEEL	GALVANIZED



NOTES:  
1. ALL DIMENSIONS ARE IN INCHES AND [MILLIMETERS]  
2. cULus LISTED

SYM.	INITIAL RELEASE	S.K.	08-09-16
	REVISION DESCRIPTION	APP	DATE

THE DESIGN AND DIMENSIONS OF THE PRODUCT SHOWN ON THIS DRAWING ARE SUBJECT TO CHANGE WITHOUT NOTICE

TITLE:  
**3556-3 4" LIQUIDTIGHT INSULATED 90° CONNECTOR WITH GROUNDING LUG**

TOLERANCE UNLESS OTHERWISE SPECIFIED		<b>RACO</b> South Bend, Indiana	
.XX DECIMAL ±.015	DRAWN BY: S.K.	SCALE: 1:4	
.XXX DECIMAL ±.005	APP. BY: S.J.		
ANGLE ±2°	DATE: 08-09-16		