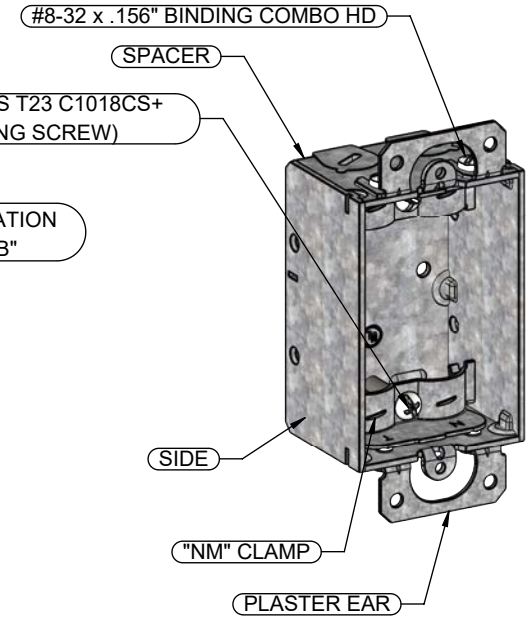
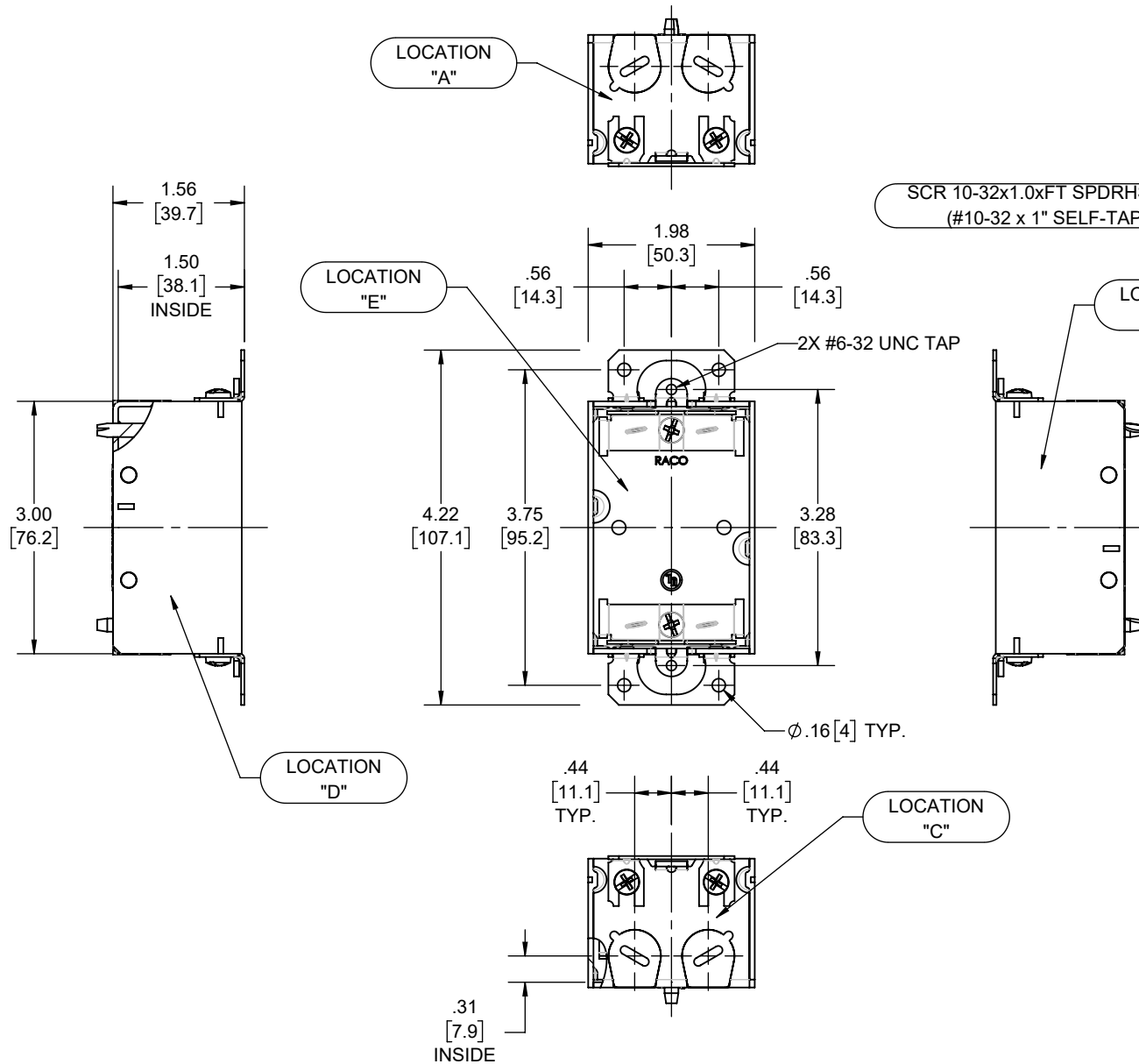


REVISIONS			
REV.	DATE	DESCRIPTION	BY
-	07-19-22	INITIAL RELEASE	RMV




DESCRIPTION	MATERIAL	FINISH
PLASTER EARS	STEEL	GALVANIZED
CLAMPS	STEEL	GALVANIZED
FASTENERS	STEEL	GALVANIZED
SIDE	STEEL	GALVANIZED
SPACER	STEEL	GALVANIZED

**LIST OF PARTS**

THE DESIGN AND DIMENSIONS OF THE PRODUCT SHOWN ON THIS DRAWING ARE SUBJECT TO CHANGE WITHOUT NOTICE

TITLE:  
**SWITCH BOX, 1-1/2" DP., W/  
PLASTER EARS AND NM-  
CLAMPS**

KNOCKOUTS		
TRADE SIZE	LOCATION	QTY.
PRIOUT	A, C	2

TOLERANCE UNLESS OTHERWISE SPECIFIED  .XX DECIMAL ± .015 .XXX DECIMAL ± .005 ANGLE ± 2°		
	DRAWN BY: RMV	SCALE: 1:2
	APP. BY: N.S. DATE: 07-19-22	SIZE: <b>A</b>

- NOTES:
- ALL DIMENSIONS ARE IN INCHES AND [MILLIMETERS]
  - BOX VOLUME: 7.5 IN<sup>3</sup> [122.9 CM<sup>3</sup>]
  - UL LISTED