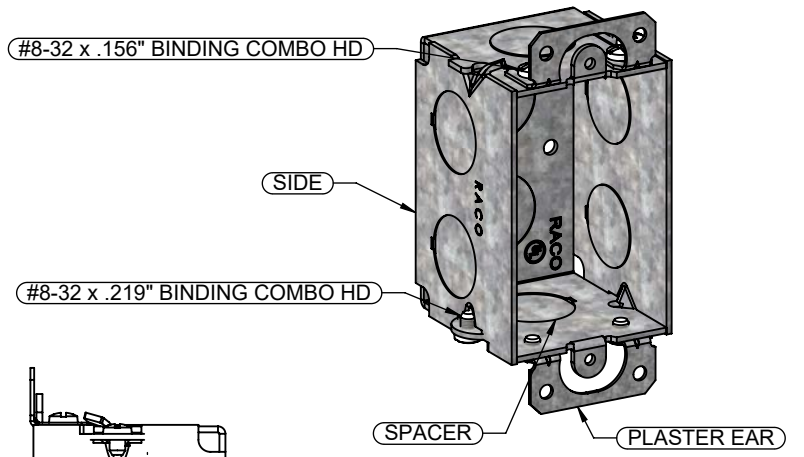
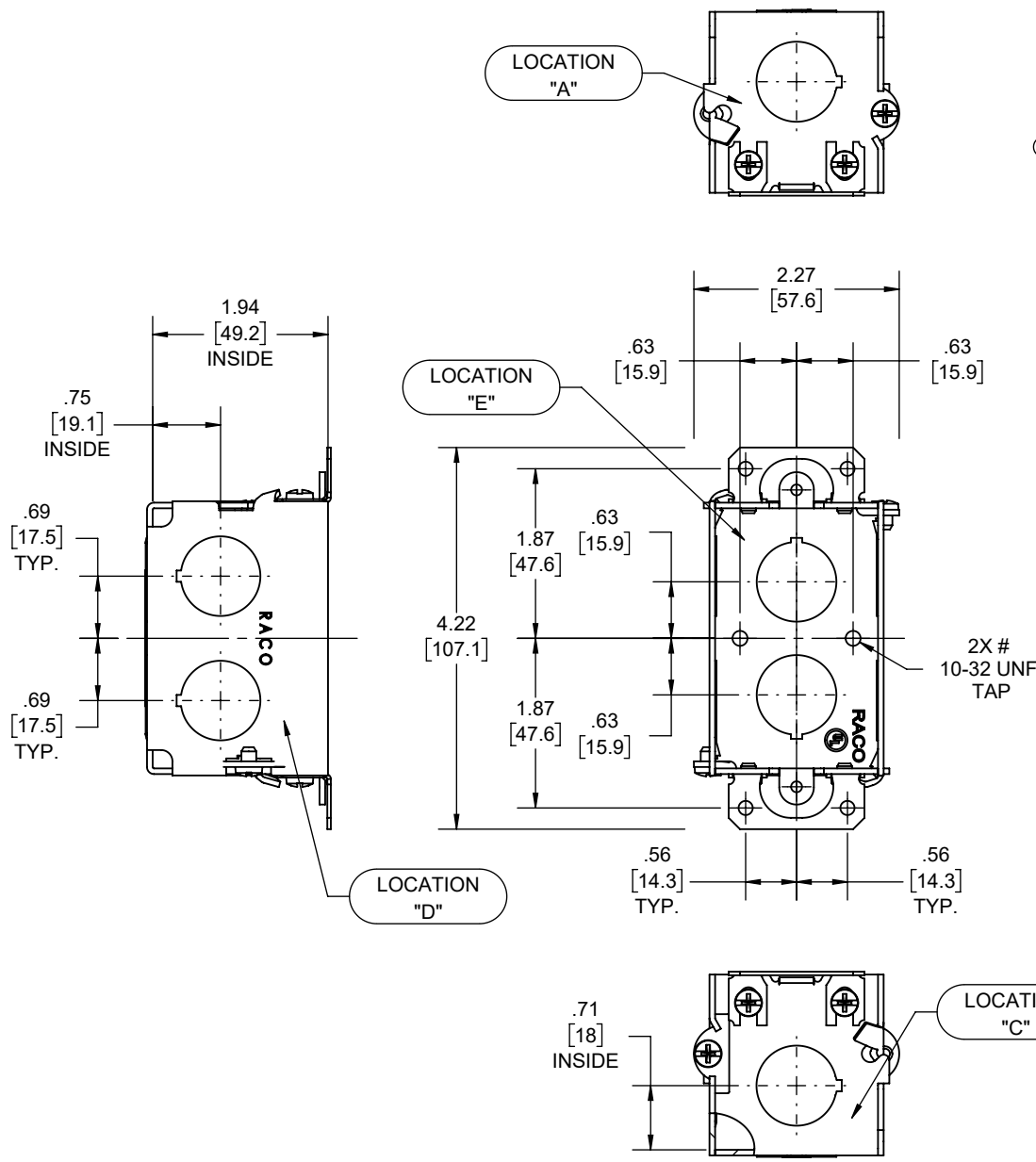


REVISIONS			
REV.	DATE	DESCRIPTION	BY
-	01-06-21	INITIAL RELEASE	RMV



DESCRIPTION	MATERIAL	FINISH
PLASTER EAR	STEEL	GALVANIZED
FASTENERS	STEEL	GALVANIZED
SIDE	STEEL	GALVANIZED
SPACER	STEEL	GALVANIZED

**LIST OF PARTS**

THE DESIGN AND DIMENSIONS OF THE PRODUCT SHOWN ON THIS DRAWING ARE SUBJECT TO CHANGE WITHOUT NOTICE

TITLE:  
**SWITCH BOX, 2" DP., W/ 1/2" KOs**

- NOTES:
- ALL DIMENSIONS ARE IN INCHES AND [MILLIMETERS]
  - BOX VOLUME: 10.0 IN<sup>3</sup> [163.9 CM<sup>3</sup>]
  - UL LISTED

KNOCKOUTS		
TRADE SIZE	LOCATION	QTY.
1/2" KO	A, C	1
1/2" KO	B, D, E	2

TOLERANCE UNLESS OTHERWISE SPECIFIED  
.XX DECIMAL ± .015  
.XXX DECIMAL ± .005  
ANGLE ± 2°

**RACO**

DRAWN BY: RMV  
APP. BY: N.S.  
DATE: 12-02-21

SCALE: 1:2