

| REVISIONS | | | |
|-----------|----------|-----------------|-----|
| REV. | DATE | DESCRIPTION | BY |
| - | 05-06-24 | INITIAL RELEASE | RMV |

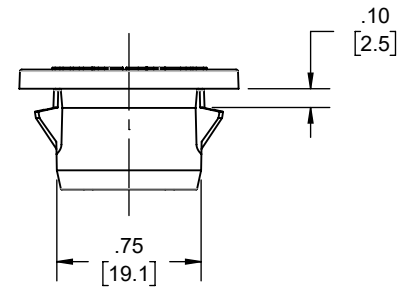
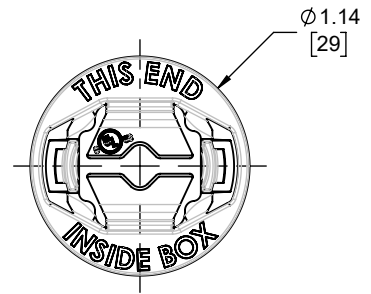
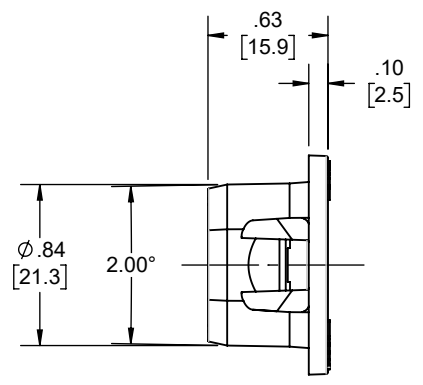
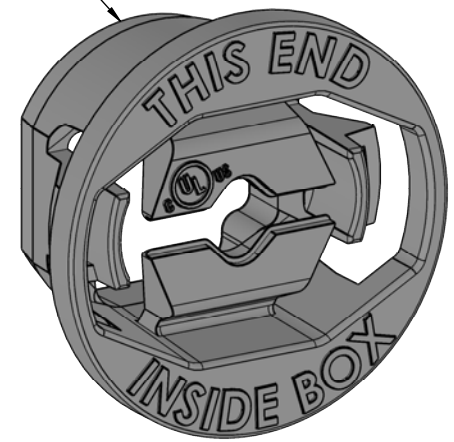
FILE NO :
4714 CUS

DIMENSION SHEET FOR CAT. NO.
4714

SIZE:
A

8.5in*1in

NON-METALLIC CONNECTOR




| NM FITTING | PC | BLACK |
|-------------|----------|--------|
| DESCRIPTION | MATERIAL | FINISH |

LIST OF PARTS

THE DESIGN AND DIMENSIONS OF THE PRODUCT SHOWN ON THIS DRAWING ARE SUBJECT TO CHANGE WITHOUT NOTICE

TITLE:
1/2" NM FITTING FOR NM CABLE

| | | | | |
|---|---|--|---------------|--------------|
| TOLERANCE UNLESS OTHERWISE SPECIFIED .XX DECIMAL ± .015 .XXX DECIMAL ± .005 ANGLE ± 2° |  | | DRAWN BY: RMV | SCALE: SIZE: |
| | | | APP. BY: N.S. | 1:1 |
| | DATE: 05-06-24 | | | |

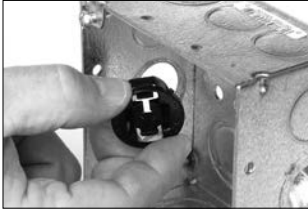
- NOTES:
1. ALL DIMENSIONS ARE IN INCHES AND [MILLIMETERS]
 2. cULus LISTED
 3. FOR INSTRUCTION SHEET SCROLL DOWN TO NEXT SHEET

THE INSIDER™

Part No. 4714



Please read all instructions



General Instructions

Turn off power. Use only copper wire. Installation and wiring must comply with local electrical codes.

Installation Instructions

Remove desired knockout. Insert the connector into the knockout from the inside of the box. Push nonmetallic sheathed cable into the connector to the desired length.

Installation Tips

For multiple installations insert the cables through the connector at the same time or one by one.



For easy cut out box installation

Remove desired knockout. Insert the non-metallic sheathed cable through the knockout. Position the box inside the wall. Slide the connector up the non-metallic sheathed cable. Snap the connector into the knockout.

Removal Instructions

Push the wing tab of the connector with a screwdriver. Push the connector through the knock-out towards the inside of the box.



A proud member of
the Hubbell family

©2024 RACO, a division of Hubbell Incorporated.
All Rights Reserved. Specifications subject to change.
www.hubbell.com/raco | 480-921-7552 |
racocustomerservice@hubbell.com