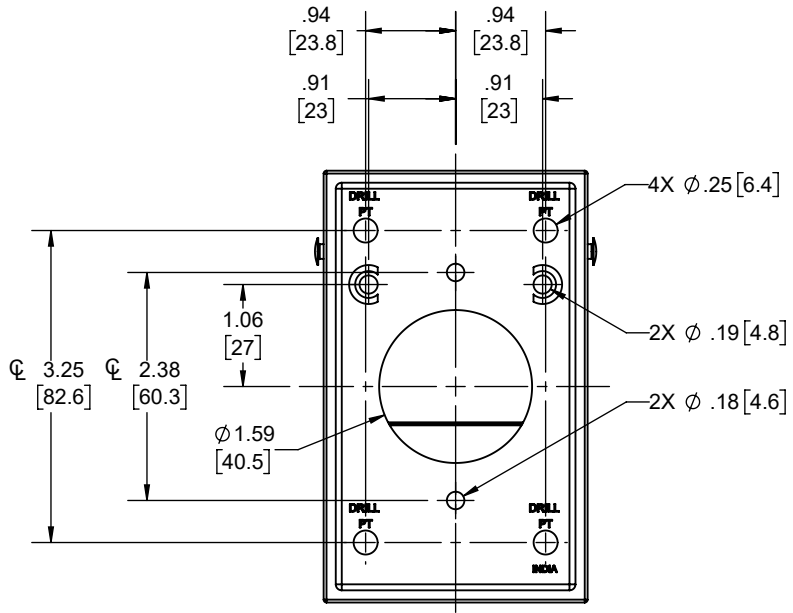
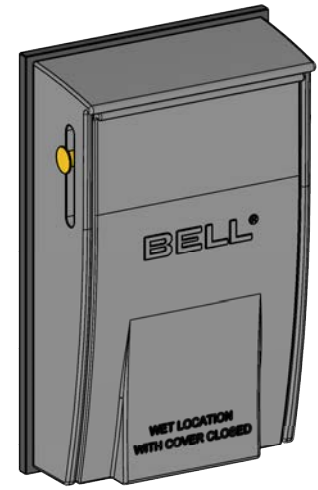


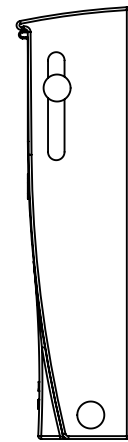
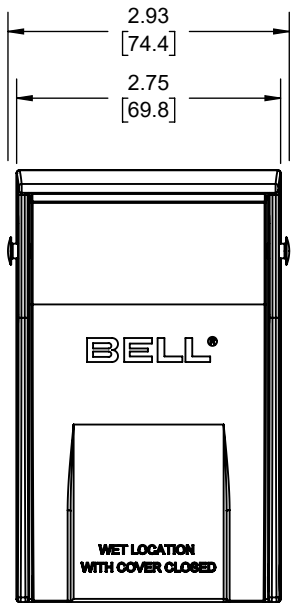
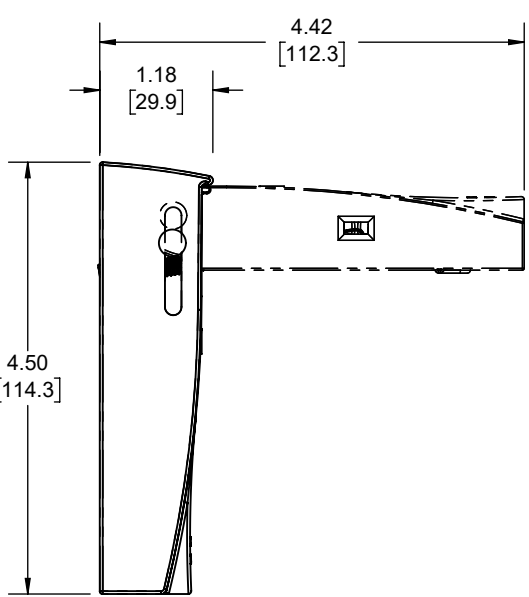
REVISIONS			
REV.	DATE	DESCRIPTION	BY
-	02-23-21	INITIAL RELEASE	RMV



BACK VIEW
SCALE 1:2



SCREW: #6-32 SLOTTED BINDER HEAD MACH. SCR. W/UNDERCUT



DESCRIPTION	MATERIAL	FINISH
GASKET	PE FOAM	-
FASTENERS	STEEL	GALVANIZED
COVER	DIE CAST ALUMINUM	GRAY

LIST OF PARTS

THE DESIGN AND DIMENSIONS OF THE PRODUCT SHOWN ON THIS DRAWING ARE SUBJECT TO CHANGE WITHOUT NOTICE

TITLE:
RAYNITE SINGLE DEVICE COVER FOR VERTICAL DUPLEX (GRAY)

- NOTES:
1. ALL DIMENSIONS ARE IN INCHES AND [MILLIMETERS]
 2. cULus LISTED

TOLERANCE UNLESS OTHERWISE SPECIFIED

.XX DECIMAL $\pm .015$
.XXX DECIMAL $\pm .005$
ANGLE $\pm 2^\circ$



DRAWN BY:	RMV	SCALE:	SIZE:
APP. BY:	N.S.	1:2	A
DATE:	02-23-21		