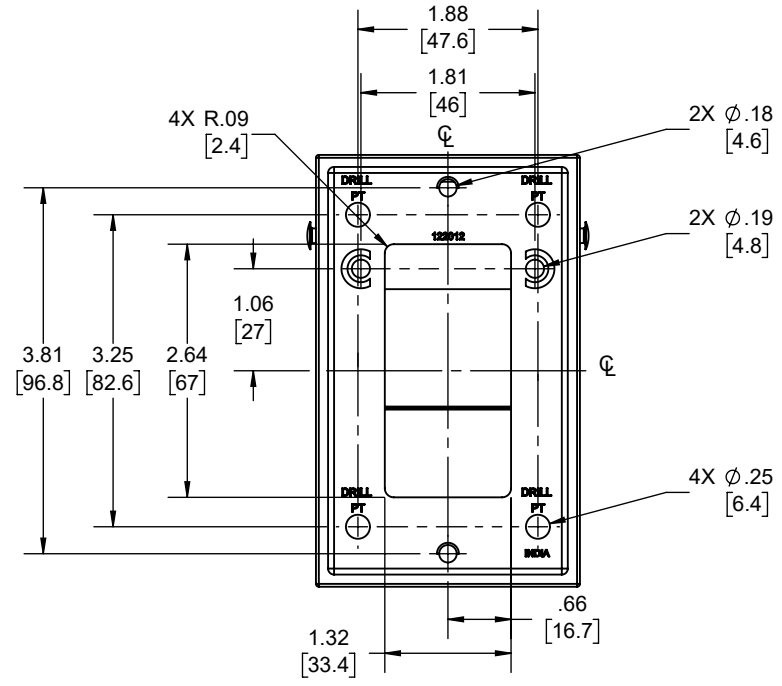
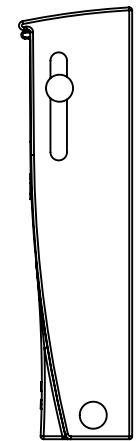
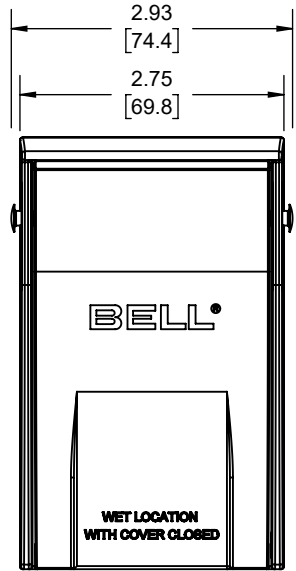
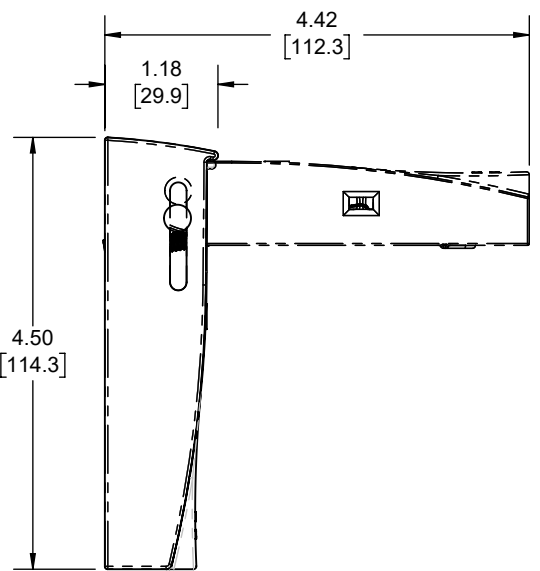
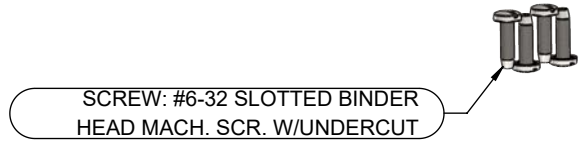
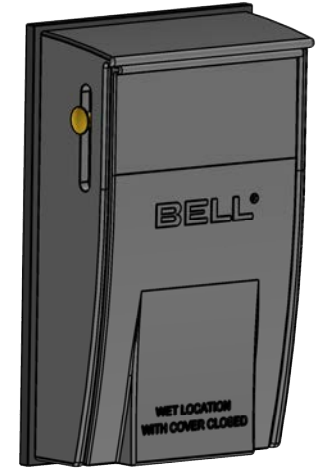


REVISIONS			
REV.	DATE	DESCRIPTION	BY
-	02-26-21	INITIAL RELEASE	VS



**BACK VIEW**




- NOTES:**
1. ALL DIMENSIONS ARE IN INCHES AND [MILLIMETERS].
  2. cULus LISTED.

GASKET	PF FOAM	-
FASTENERS	STEEL	GALVANIZED
COVER	DIE CAST ALUMINUM	GRAY
<b>DESCRIPTION</b>	<b>MATERIAL</b>	<b>FINISH</b>

**LIST OF PARTS**

THE DESIGN AND DIMENSIONS OF THE PRODUCT SHOWN ON THIS DRAWING ARE SUBJECT TO CHANGE WITHOUT NOTICE

TITLE:  
**RAYNITE SINGLE DEVICE COVER FOR VERTICAL GFCI (GRAY) (SIGMA)**

TOLERANCE UNLESS OTHERWISE SPECIFIED  .XX DECIMAL ± .015 .XXX DECIMAL ± .005 ANGLE ± 2°			DRAWN BY:	VS	SCALE:	SIZE:
			APP. BY:	NS		
			DATE:	02-26-21		