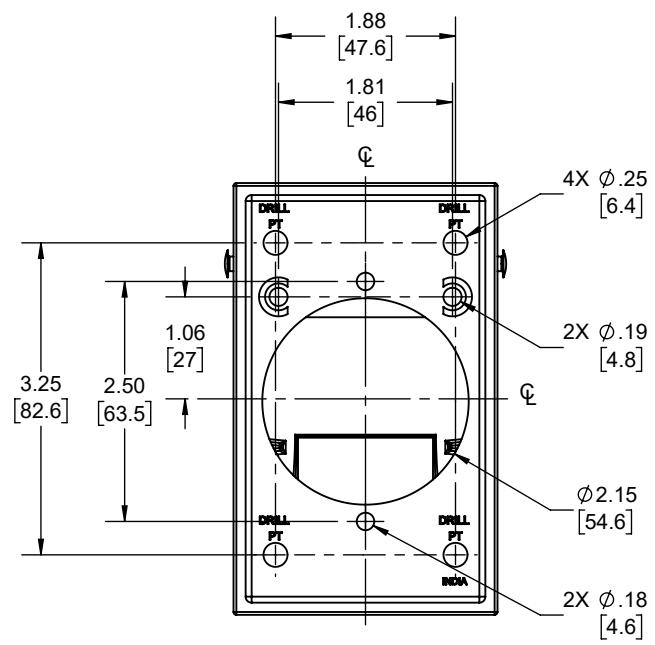
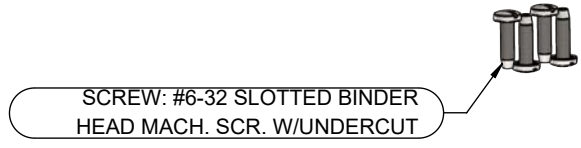
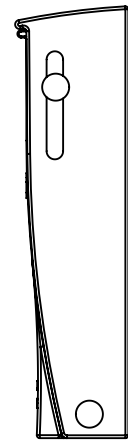
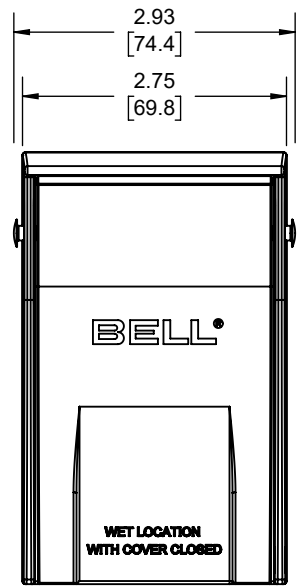
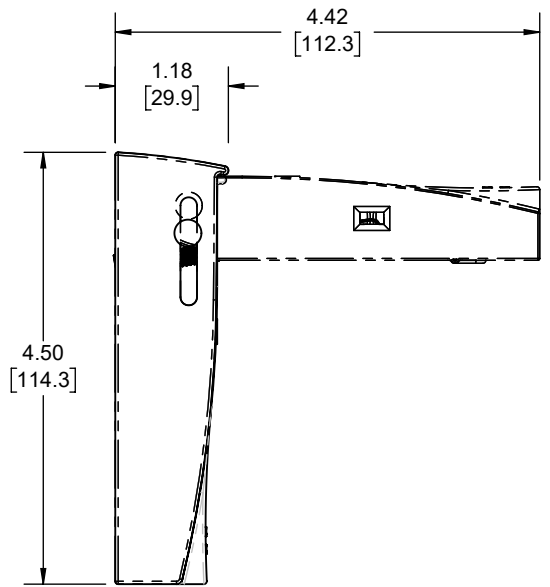
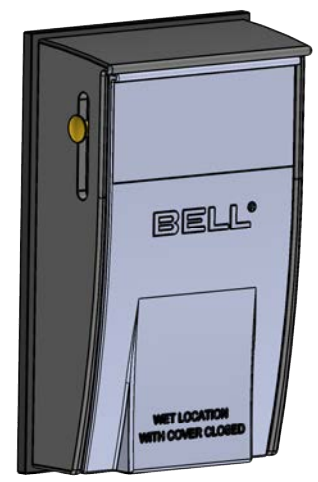


REVISIONS			
REV.	DATE	DESCRIPTION	BY
-	03-29-21	INITIAL RELEASE	VS



**BACK VIEW**



GASKET	PF FOAM	-
FASTENERS	STEEL	GALVANIZED
COVER	DIE CAST ALUMINUM	GRAY
DESCRIPTION	MATERIAL	FINISH

**LIST OF PARTS**

THE DESIGN AND DIMENSIONS OF THE PRODUCT SHOWN ON THIS DRAWING ARE SUBJECT TO CHANGE WITHOUT NOTICE

TITLE:  
**RAYNITE SINGLE DEVICE COVER 2.150" DIA. VERTICAL (GRAY)**

- NOTES:**
1. ALL DIMENSIONS ARE IN INCHES AND [MILLIMETERS].
  2. cULus LISTED.

TOLERANCE UNLESS OTHERWISE SPECIFIED



.XX DECIMAL ± .015  
.XXX DECIMAL ± .005  
ANGLE ± 2°

DRAWN BY:	VS	SCALE:	SIZE:
APP. BY:	NS	1:2	A
DATE:	03-29-21		