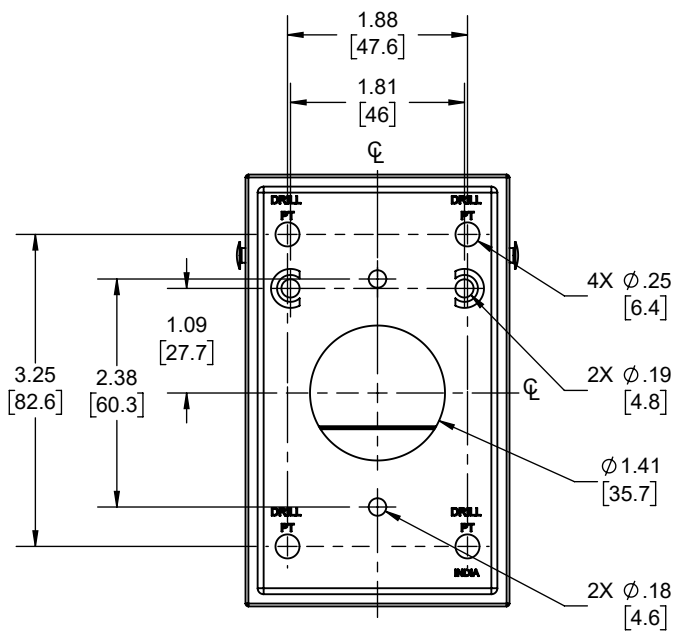
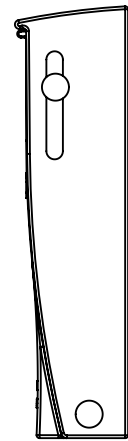
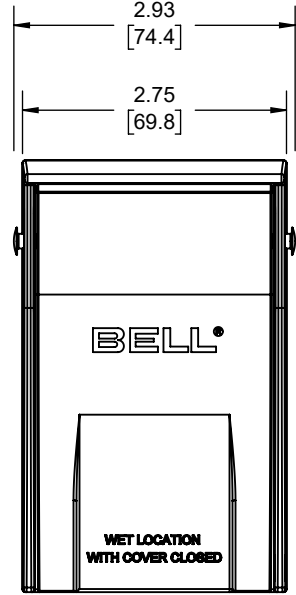
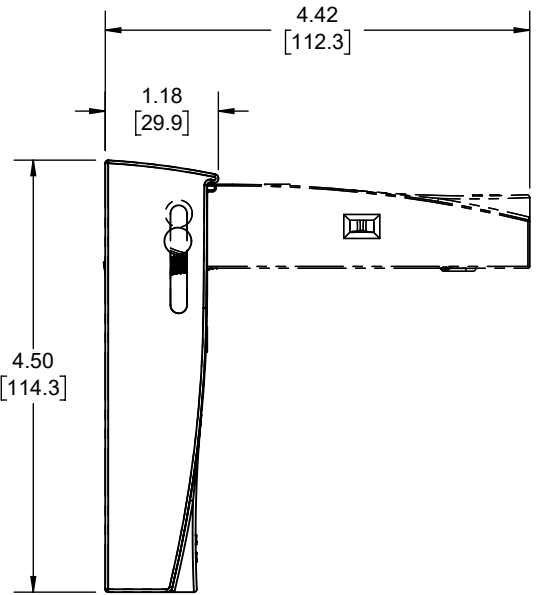
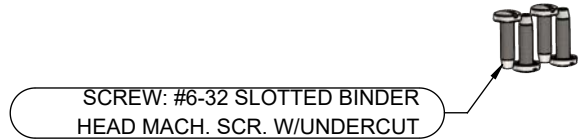
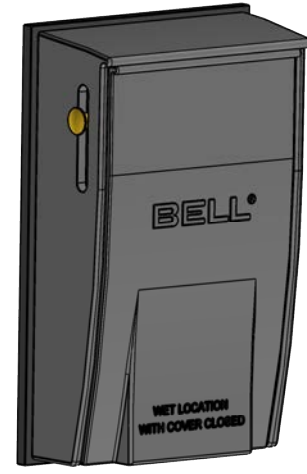


REVISIONS			
REV.	DATE	DESCRIPTION	BY
-	03-29-21	INITIAL RELEASE	VS



BACK VIEW



GASKET	PF FOAM	-
FASTENERS	STEEL	GALVANIZED
COVER	DIE CAST ALUMINUM	GRAY
DESCRIPTION	MATERIAL	FINISH

LIST OF PARTS

THE DESIGN AND DIMENSIONS OF THE PRODUCT SHOWN ON THIS DRAWING ARE SUBJECT TO CHANGE WITHOUT NOTICE

TITLE:
RAYNITE SINGLE DEVICE COVER 1.406" DIA. VERTICAL (GRAY)

- NOTES:**
1. ALL DIMENSIONS ARE IN INCHES AND [MILLIMETERS].
 2. cULus LISTED.

TOLERANCE UNLESS OTHERWISE SPECIFIED



.XX DECIMAL ± .015
.XXX DECIMAL ± .005
ANGLE ± 2°

DRAWN BY:	VS	SCALE:	SIZE:
APP. BY:	NS	1:2	A
DATE:	03-29-21		