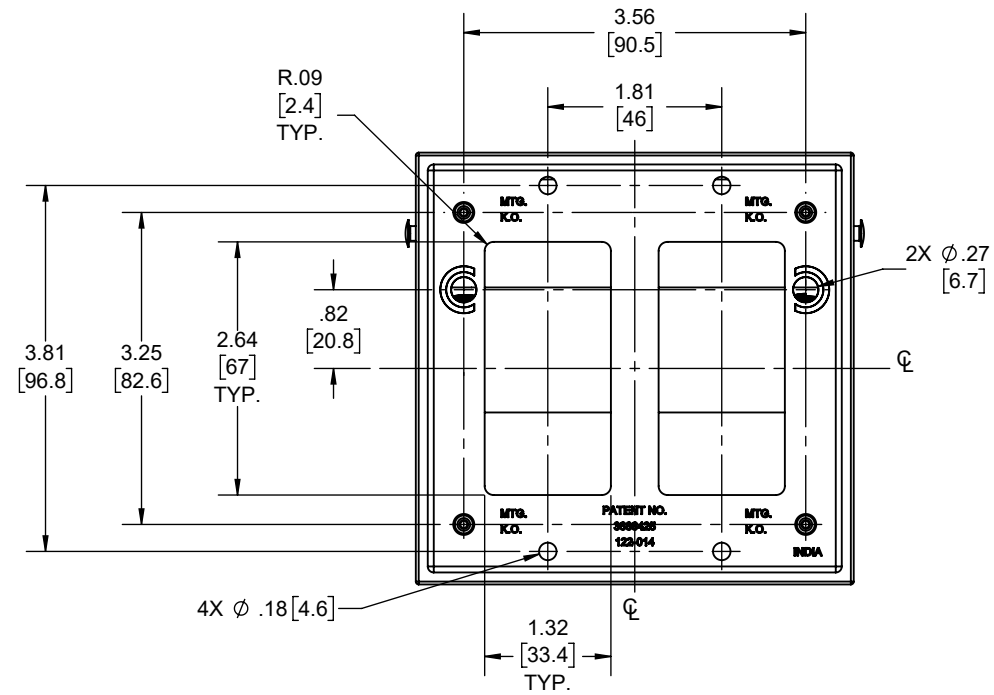
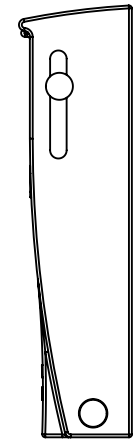
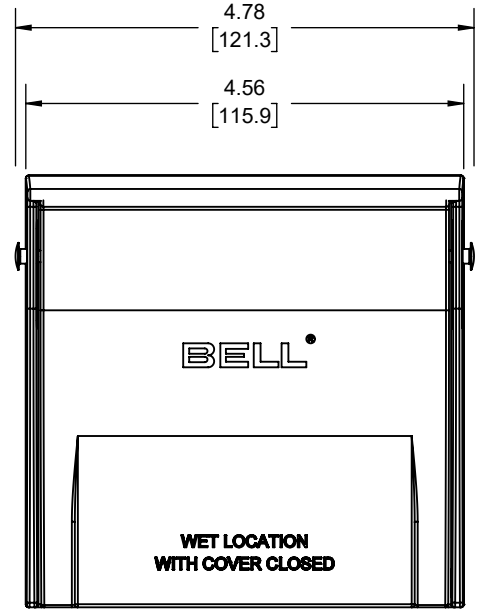
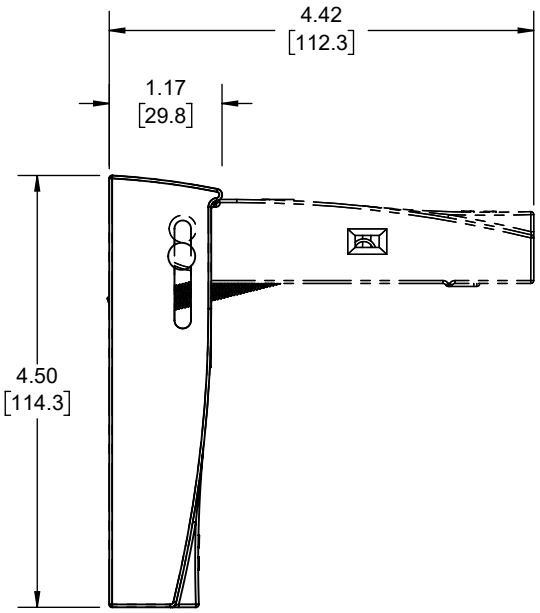
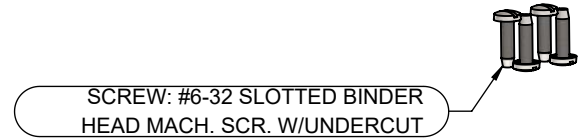
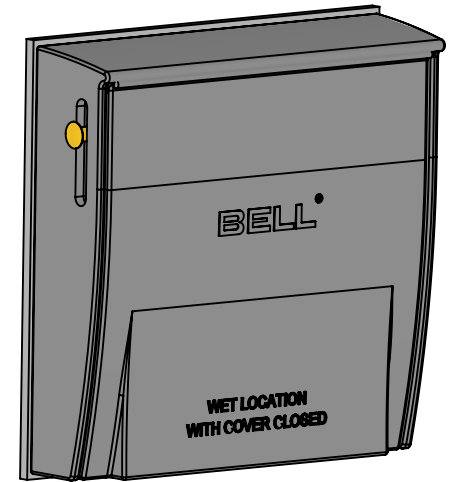


REVISIONS			
REV.	DATE	DESCRIPTION	BY
-	03-29-21	INITIAL RELEASE	VS



**BACK VIEW**



DESCRIPTION	MATERIAL	FINISH
GASKET	PF FOAM	-
FASTENERS	STEEL	GALVANIZED
COVER	DIE CAST ALUMINUM	GRAY

THE DESIGN AND DIMENSIONS OF THE PRODUCT SHOWN ON THIS DRAWING ARE SUBJECT TO CHANGE WITHOUT NOTICE

TITLE:  
**RAYNITE TWO GANG DEVICE COVER FOR VERTICAL TWO GFCI**

TOLERANCE UNLESS OTHERWISE SPECIFIED

.XX DECIMAL ± .015  
.XXX DECIMAL ± .005  
ANGLE ± 2°



DRAWN BY:	VS	SCALE:	SIZE:
APP. BY:	NS	1:2	<b>A</b>
DATE:	03-29-21		

- NOTES:**
- ALL DIMENSIONS ARE IN INCHES AND [MILLIMETERS].
  - cULus LISTED.