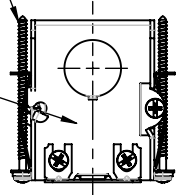


REVISIONS			
REV.	DATE	DESCRIPTION	BY
-	02-14-22	INITIAL RELEASE	RMV

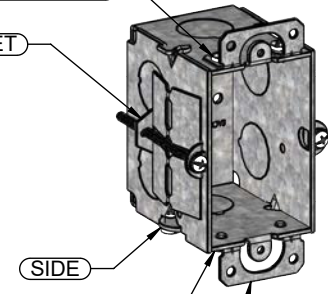
#6-18 X 2-1/2" COMBO PHILIPS/SLOTTED PAN HEAD SHEET METAL SCREW

LOCATION "A"



#8-32 x .156" BINDING COMBO HD

BRACKET

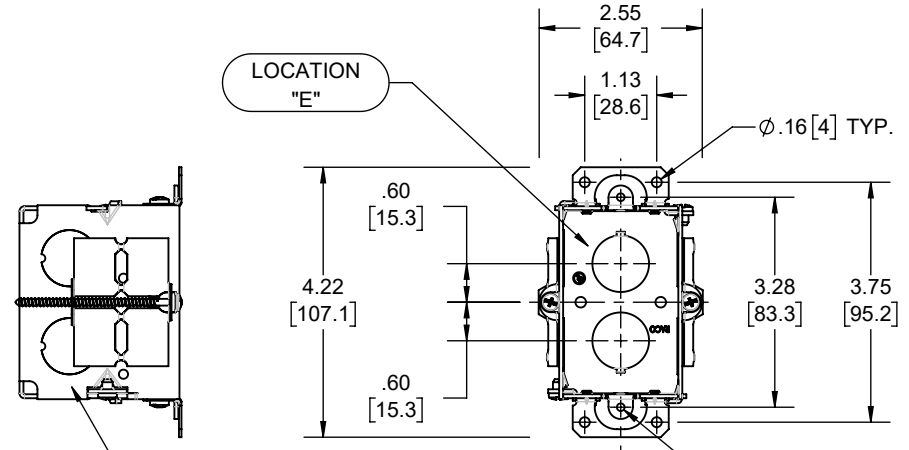


SIDE

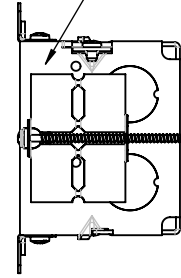
SPACER

PLASTER EAR

LOCATION "E"

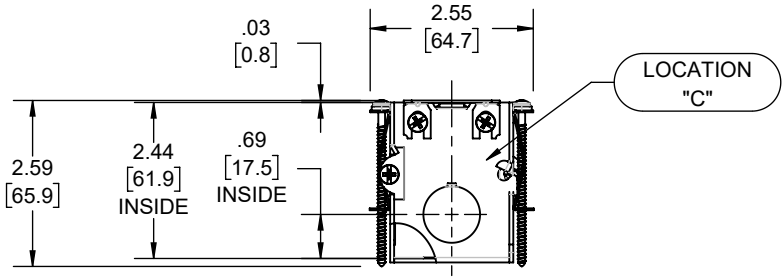
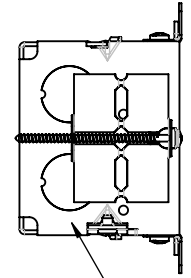


LOCATION "B"



LOCATION "D"

2X #6-32 UNC TAP



LOCATION "C"

DESCRIPTION	MATERIAL	FINISH
PLASTER EAR	STEEL	GALVANIZED
BRACKET	STEEL	GALVANIZED
FASTENERS	STEEL	GALVANIZED
SIDE	STEEL	GALVANIZED
SPACER	STEEL	GALVANIZED

LIST OF PARTS

THE DESIGN AND DIMENSIONS OF THE PRODUCT SHOWN ON THIS DRAWING ARE SUBJECT TO CHANGE WITHOUT NOTICE

TITLE:
**SWITCH BOX, 2-1/2" DP., W/
PLASTER EARS**

TOLERANCE UNLESS OTHERWISE SPECIFIED
.XX DECIMAL ± .015
.XXX DECIMAL ± .005
ANGLE ± 2°



DRAWN BY:	RMV	SCALE:	SIZE:
APP. BY:	N.S.	1:3	A
DATE:	02-14-22		

KNOCKOUTS		
TRADE SIZE	LOCATION	QTY.
1/2" KO	A, C	1
1/2" KO	B, D, E	2

- NOTES:
- ALL DIMENSIONS ARE IN INCHES AND [MILLIMETERS]
 - BOX VOLUME: 12.5 IN³ [204.8 CM³]
 - UL LISTED