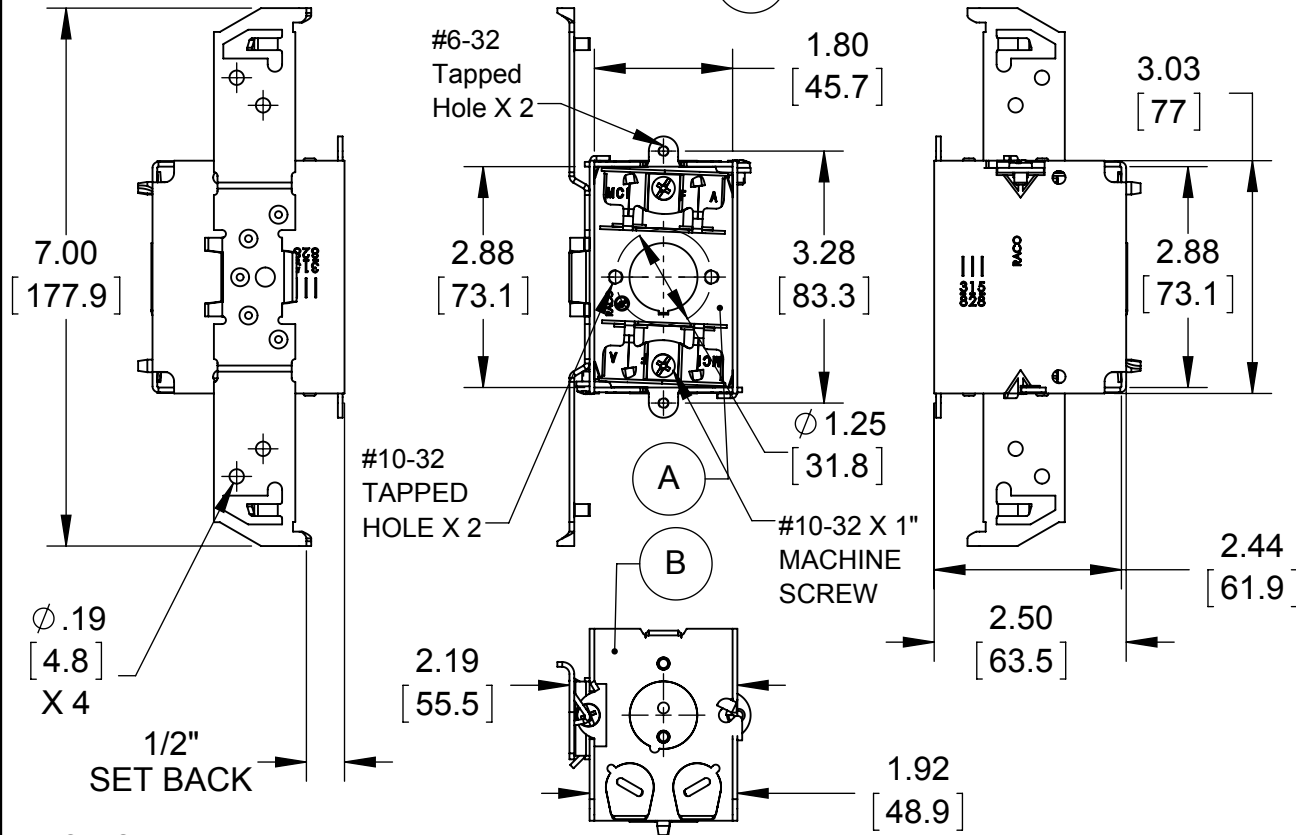
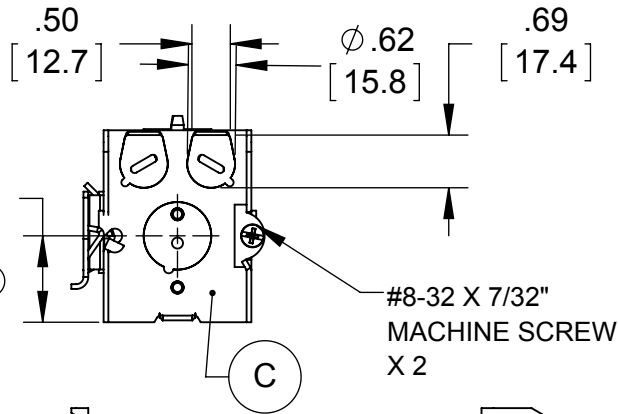


**X CLAMP ACCEPTS ALL OF THE FOLLOWING WIRE TYPES:**  
 STEEL & ALUMINUM BX: .444" [11.27 MM] O.D. TO LARGEST THAT WILL FIT IN CLAMP  
 STEEL MCI: .425" [10.79 MM] TO .600" [15.24 MM] O.D.  
 ALUMINUM MCI: .400" [10.16 MM] TO .495" [12.57 MM] O.D.  
 FLEXIBLE METAL CONDUIT: 3/8" TRADE SIZE



- NOTES:
1. ALL DIMENSIONS ARE IN INCHES AND [MILLIMETERS]
  2. BOX VOLUME: 12.5 IN<sup>3</sup> [204.8 CM<sup>3</sup>]
  3. ACCEPTABLE FOR USE IN 2 HR FIRE RATED WALLS
  4. UL LISTED

KNOCKOUTS		
TRADE SIZE	LOCATION	QTY.
1/2" KO	A,B,C	1

**LIST OF PARTS**

DESCRIPTION	MATERIAL	FINISH
BOX	STEEL	GALVANIZED
BOX SCREW	STEEL	GALVANIZED
TS BRACKET	STEEL	GALVANIZED
X CLAMP	STEEL	GALVANIZED
CLAMP SCREW	STEEL	GALVANIZED

SYMBOL	REVISION DESCRIPTION	APP	DATE
	INITIAL RELEASE	N.S.	02/26/2016

THE DESIGN AND DIMENSIONS OF THE PRODUCT SHOWN ON THIS DRAWING ARE SUBJECT TO CHANGE WITHOUT NOTICE

TITLE: **GANGABLE 2-1/2" DEEP SWITCH BOX WITH X CLAMPS & TS BRACKET**

TOLERANCE UNLESS OTHERWISE SPECIFIED  
 .XX DECIMAL ±.015  
 .XXX DECIMAL ±.005  
 ANGLE ±2°

<b>RACO</b> South Bend, Indiana		
DRAWN BY:	J.R.	SCALE:
APP. BY:	N.S.	1:2.5
DATE:	02/26/2016	

524 CUS

155, 8524

DIMENSION SHEET FOR CAT. NO.

SIZE: **A**