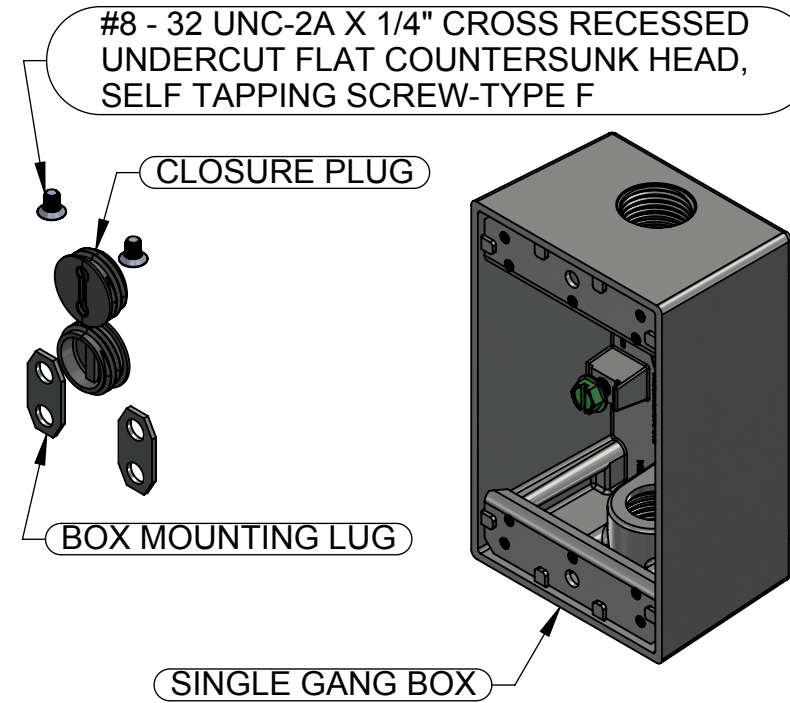
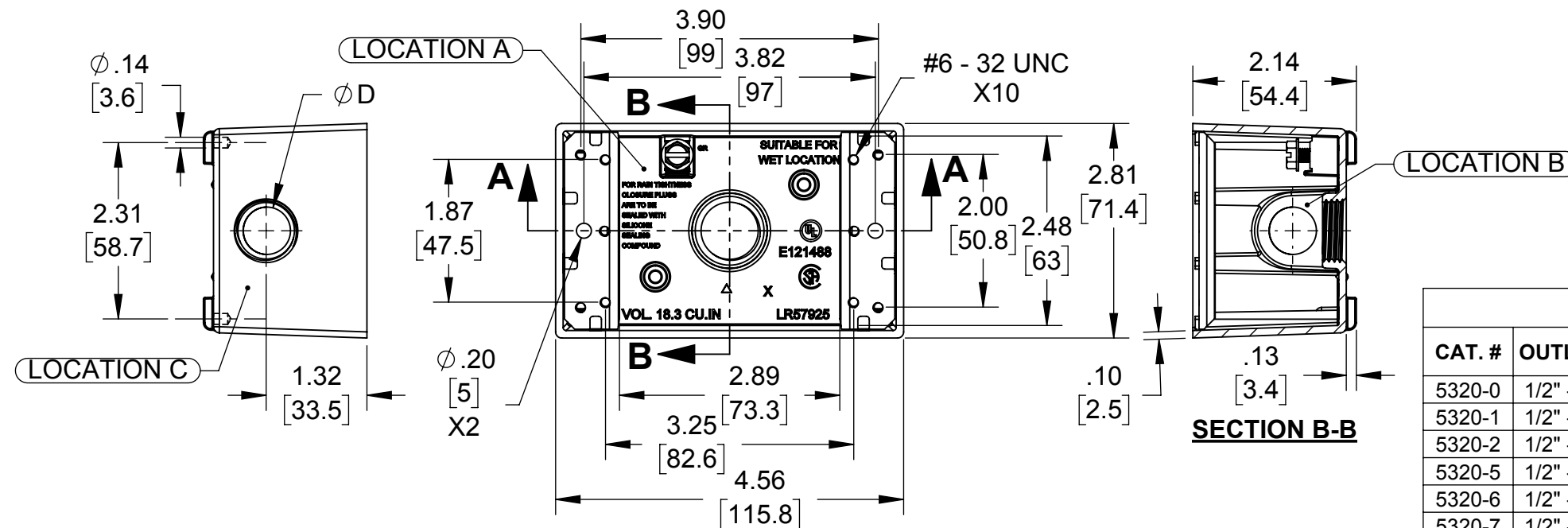
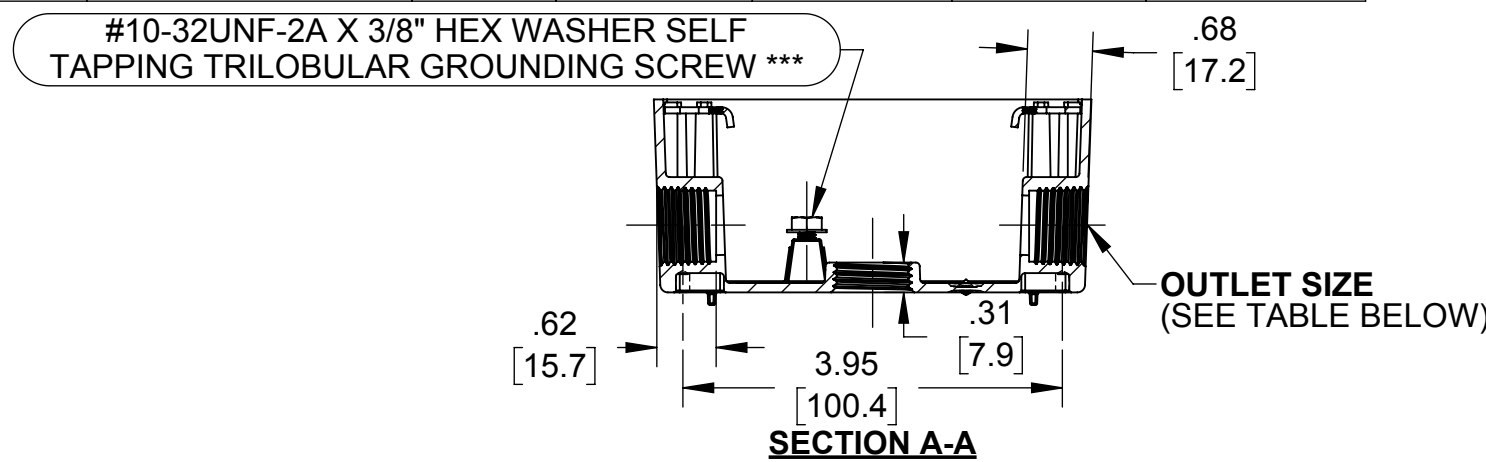


CAT. #	COLOR	Ø D	HARDWARE PACK			
			GROUNDING SCREW QTY.	CLOSURE PLUGS QTY.	MOUNTING LUGS QTY.	MOUNTING LUG SCREW QTY.
5320-0	GRAY AKZO NOBEL# JW107N	.62 [15.7]	-	2	2	2
5320-1	WHITE AKZO NOBEL# JA045N	.62 [15.7]	-	2	2	2
5320-2	BRONZE AKZO NOBEL# JW015N	.62 [15.7]	-	2	2	2
5320-5	GRAY AKZO NOBEL# JW107N	.62 [15.7]	-	2	2	2
5320-6	WHITE AKZO NOBEL# JA045N	.62 [15.7]	-	2	2	2
5320-7	BRONZE AKZO NOBEL# JW015N	.62 [15.7]	-	2	2	2
5320-9	GRAY AKZO NOBEL# JW107N	.62 [15.7]	50	100	100	100
5324-0	GRAY AKZO NOBEL# JW107N	.84 [21.3]	-	2	2	2
5324-1	WHITE AKZO NOBEL# JA045N	.84 [21.3]	-	2	2	2
5324-5	GRAY AKZO NOBEL# JW107N	.84 [21.3]	-	2	2	2



LIST OF PARTS		
DESCRIPTION	MATERIAL	FINISH
SINGLE GANG BOX	DIE-CAST ALUMINUM	PAINT
GROUNDING SCREW	C1022 STEEL	GREEN ZINC AERODITE
CLOSURE PLUG	LEXAN/ZINC	SEE TABLE
MOUNTING LUG	CRCA	N/A
MOUNTING LUG SCREW	C1022 STEEL	.00015" ZINC PASSIVATION

GRAY BOX	CLOSURE PLUG 1/2" & 3/4" NPT	
	MATERIAL	FINISH
PRIMARY	LEXAN	GRAY
ALTERNATE	ZINC	NATURAL



- NOTES:
- ALL DIMENSIONS ARE IN INCHES AND [MILLIMETERS]
  - BOX VOLUME: 18.30 IN<sup>3</sup> [299.9 CM<sup>3</sup>]
  - UL & CSA LISTED.

\*\*\* CAT. # 5320-9, GROUNDING SCREW PROVIDED SEPERATELY IN A POLYBAG.

OUTLETS			
CAT. #	OUTLET SIZE	OUTLET LOCATION	OUTLET QTY.
5320-0	1/2" - 14 NPT	A,B & C	1
5320-1	1/2" - 14 NPT	A,B & C	1
5320-2	1/2" - 14 NPT	A,B & C	1
5320-5	1/2" - 14 NPT	A,B & C	1
5320-6	1/2" - 14 NPT	A,B & C	1
5320-7	1/2" - 14 NPT	A,B & C	1
5320-9	1/2" - 14 NPT	A,B & C	1
5324-0	3/4" - 14 NPT	A,B & C	1
5324-1	3/4" - 14 NPT	A,B & C	1
5324-5	3/4" - 14 NPT	A,B & C	1

SYM.	INITIAL RELEASE	S.J.	07/07/17
	REVISION DESCRIPTION	APP	DATE

THE DESIGN AND DIMENSIONS OF THE PRODUCT SHOWN ON THIS DRAWING ARE SUBJECT TO CHANGE WITHOUT NOTICE

TITLE:  
**SINGLE GANG WITH 3-HOLE RECT. BOX**

TOLERANCE UNLESS OTHERWISE SPECIFIED  
.XX DECIMAL ±.015  
.XXX DECIMAL ±.005  
ANGLE ±2°

**RACO**  
South Bend, Indiana

DRAWN BY:	F.P.	SCALE:
APP. BY:	S.J.	1:2
DATE:	07/07/2017	

FILE NO. :  
**SINGLE GANG BOX WITH 3 OUTLETS CUS**

DIMENSION SHEET FOR CAT. NO.  
**SEE CHART**

SIZE:  
**B**