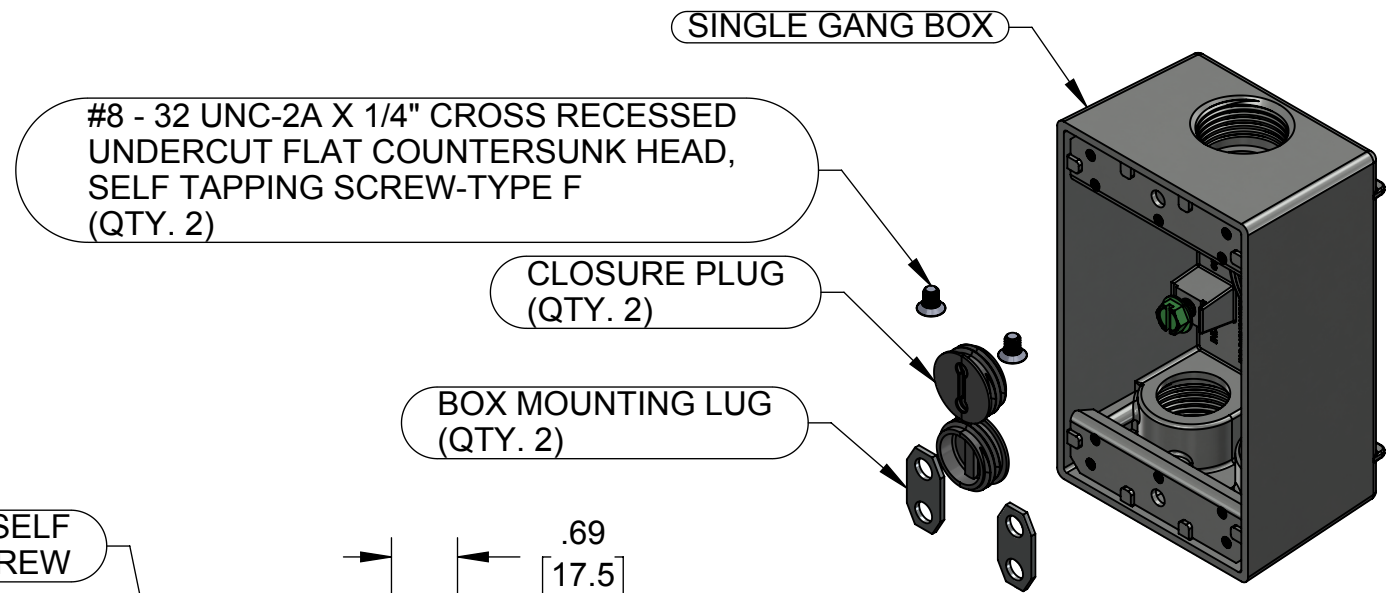
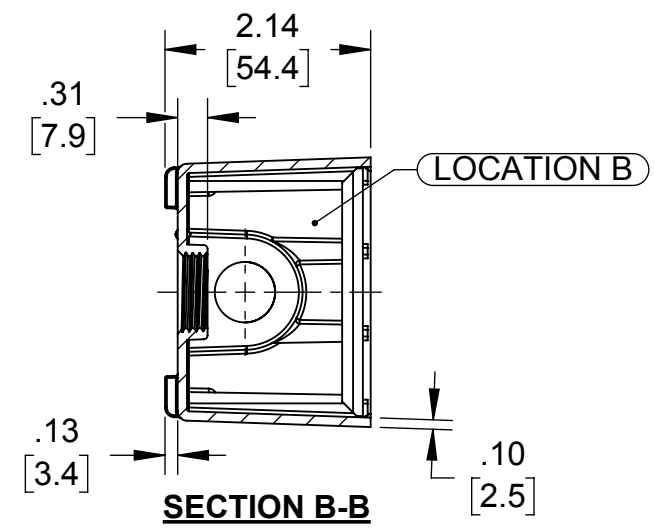
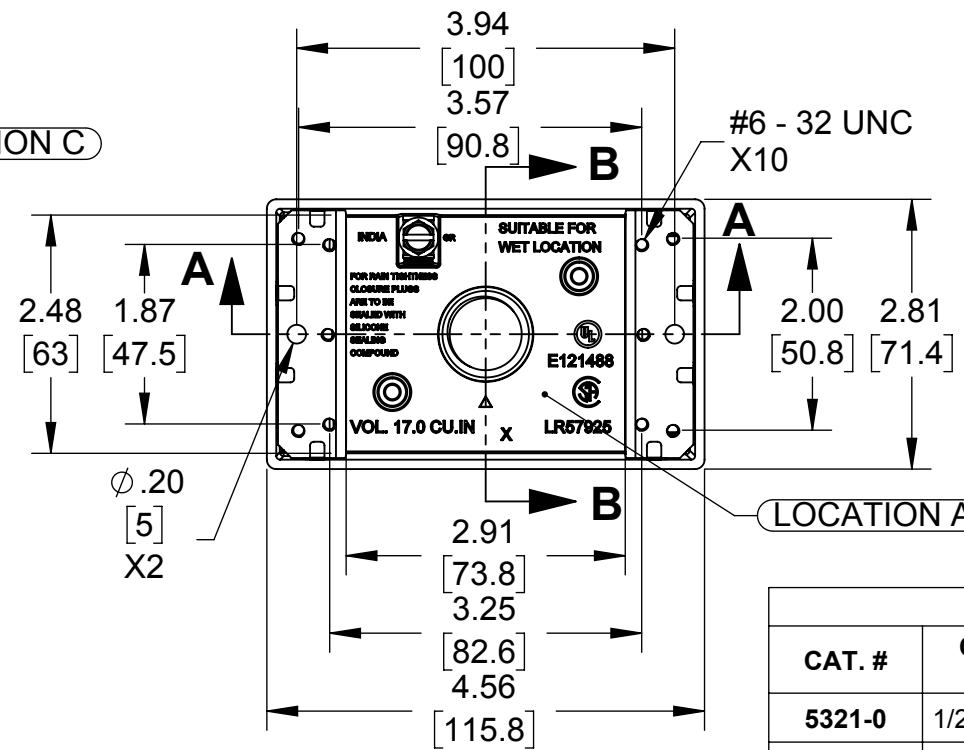
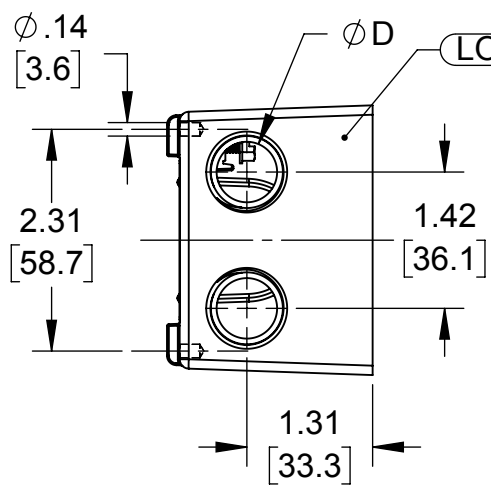
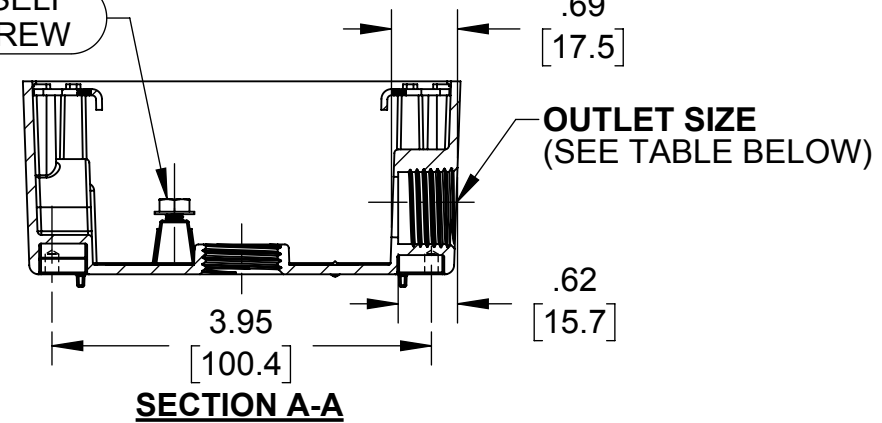


| CAT. # | COLOR                        | Ø D           |
|--------|------------------------------|---------------|
| 5321-0 | GRAY<br>AKZO NOBEL# JW107N   | .62<br>[15.7] |
| 5321-1 | WHITE<br>AKZO NOBEL# JA045N  | .62<br>[15.7] |
| 5321-2 | BRONZE<br>AKZO NOBEL# JW015N | .62<br>[15.7] |
| 5321-5 | GRAY<br>AKZO NOBEL# JW107N   | .62<br>[15.7] |
| 5321-6 | WHITE<br>AKZO NOBEL# JA045N  | .62<br>[15.7] |
| 5330-0 | GRAY<br>AKZO NOBEL# JW107N   | .84<br>[21.3] |



#10-32UNF-2A X 3/8" HEX WASHER SELF TAPPING TRILOBULAR GROUNDING SCREW



| OUTLETS |               |                 |             |                 |             |
|---------|---------------|-----------------|-------------|-----------------|-------------|
| CAT. #  | OUTLET SIZE   | OUTLET LOCATION | OUTLET QTY. | OUTLET LOCATION | OUTLET QTY. |
| 5321-0  | 1/2" - 14 NPT | A & B           | 1           | C               | 2           |
| 5321-1  | 1/2" - 14 NPT | A & B           | 1           | C               | 2           |
| 5321-2  | 1/2" - 14 NPT | A & B           | 1           | C               | 2           |
| 5321-5  | 1/2" - 14 NPT | A & B           | 1           | C               | 2           |
| 5321-6  | 1/2" - 14 NPT | A & B           | 1           | C               | 2           |
| 5330-0  | 3/4" - 14 NPT | A & B           | 1           | C               | 2           |

| LIST OF PARTS      |                   |                          |
|--------------------|-------------------|--------------------------|
| DESCRIPTION        | MATERIAL          | FINISH                   |
| SINGLE GANG BOX    | DIE-CAST ALUMINUM | PAINT                    |
| GROUNDING SCREW    | C1022 STEEL       | GREEN ZINC AERODITE      |
| CLOSURE PLUG       | LEXAN/ZINC        | SEE TABLE                |
| MOUNTING LUG       | CRCA              | N/A                      |
| MOUNTING LUG SCREW | C1022 STEEL       | .00015" ZINC PASSIVATION |

| GRAY BOX  | CLOSURE PLUG 1/2" & 3/4" NPT |         |
|-----------|------------------------------|---------|
|           | MATERIAL                     | FINISH  |
| PRIMARY   | LEXAN                        | GRAY    |
| ALTERNATE | ZINC                         | NATURAL |

| SYM. | INITIAL RELEASE      | S.J. | 07/10/17 |
|------|----------------------|------|----------|
|      | REVISION DESCRIPTION | APP  | DATE     |
|      |                      |      |          |

THE DESIGN AND DIMENSIONS OF THE PRODUCT SHOWN ON THIS DRAWING ARE SUBJECT TO CHANGE WITHOUT NOTICE

TITLE:  
**SINGLE GANG WITH 4-HOLE RECT. BOX**

|                                      |   |  |
|--------------------------------------|---|--|
| TOLERANCE UNLESS OTHERWISE SPECIFIED |   |  |
| .XX DECIMAL ±.015                    | <b>RACO</b><br>South Bend, Indiana<br>DRAWN BY: F.P.<br>APP. BY: S.J.<br>DATE: 07/10/2017 |  |
| .XXX DECIMAL ±.005                   |   |  |
| ANGLE ±2°                            |   |  |
| SCALE:                               | 1:2   |  |

- NOTES:
- ALL DIMENSIONS ARE IN INCHES AND [MILLIMETERS]
  - BOX VOLUME: 17.00 IN<sup>3</sup> [278.6 CM<sup>3</sup>]
  - UL & CSA LISTED.

FILE NO.:  
**SINGLE GANG BOX WITH 4 OUTLETS CUS**

DIMENSION SHEET FOR CAT. NO.  
**SEE CHART**

SIZE:  
**B**