

CAT. #	COLOR	Ø D
5323-0	GRAY AKZO NOBEL# JW107N	.62 [15.7]
5332-0	GRAY AKZO NOBEL# JW107N	.84 [21.3]

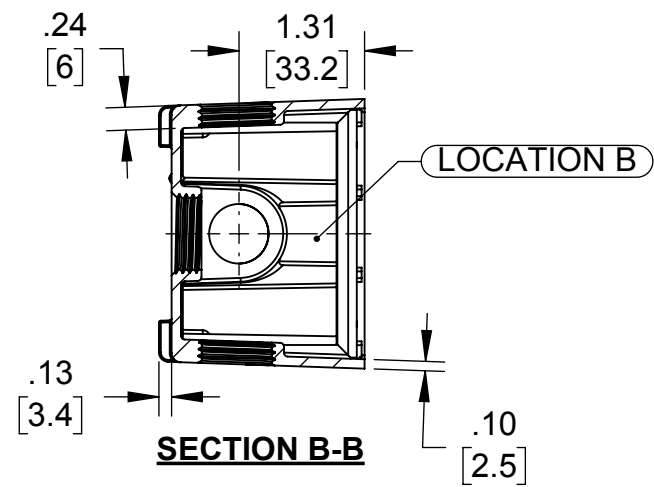
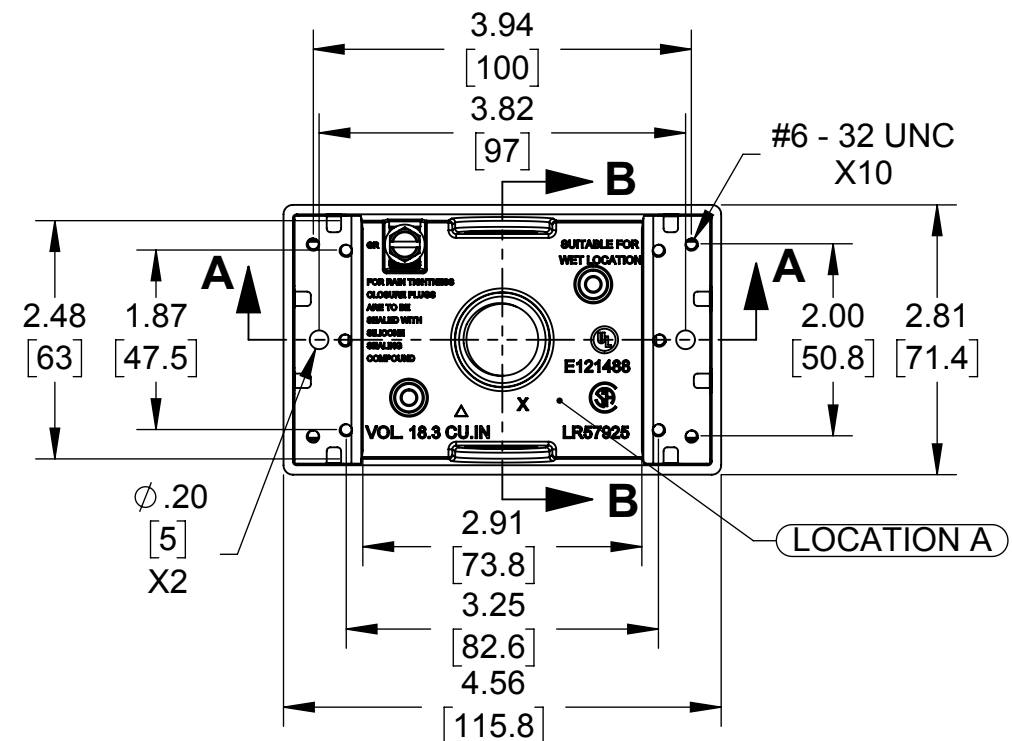
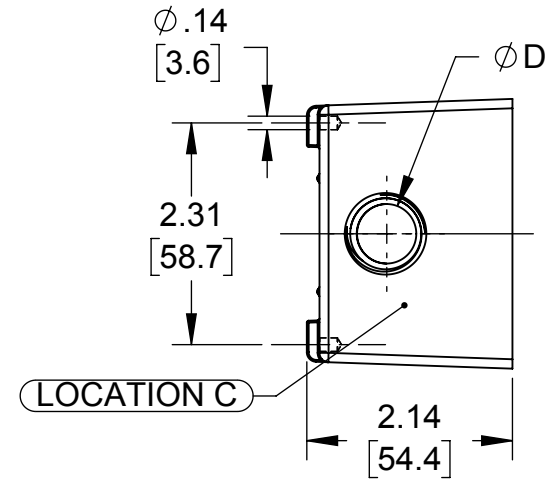
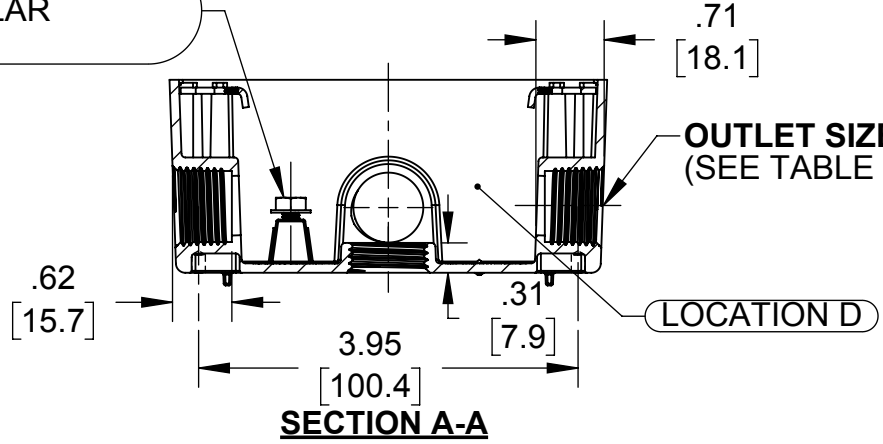
#8 - 32 UNC-2A X 1/4" CROSS RECESSED UNDERCUT FLAT COUNTERSUNK HEAD, SELF TAPPING SCREW-TYPE F (QTY. 2)

CLOSURE PLUG (QTY. 2)

BOX MOUNTING LUG (QTY. 2)

#10-32UNF-2A X 3/8" HEX WASHER SELF TAPPING TRILOBULAR GROUNDING SCREW

SINGLE GANG BOX



LIST OF PARTS		
DESCRIPTION	MATERIAL	FINISH
SINGLE GANG BOX	DIE-CAST ALUMINUM	PAINT
GROUNDING SCREW	C1022 STEEL	GREEN ZINC AERODITE
CLOSURE PLUG	LEXAN/ZINC	SEE TABLE
MOUNTING LUG	CRCA	N/A
MOUNTING LUG SCREW	C1022 STEEL	.00015" ZINC PASSIVATION

GRAY BOX	CLOSURE PLUG 1/2" & 3/4" NPT	
	MATERIAL	FINISH
PRIMARY	LEXAN	GRAY
ALTERNATE	ZINC	NATURAL

- NOTES:
- ALL DIMENSIONS ARE IN INCHES AND [MILLIMETERS]
  - BOX VOLUME: 18.30 IN<sup>3</sup> [299.9 CM<sup>3</sup>]
  - UL & CSA LISTED.

OUTLETS			
CAT. #	OUTLET SIZE	OUTLET LOCATION	OUTLET QTY.
5323-0	1/2" - 14 NPT	A,B,C,D,E	1
5332-0	3/4" - 14 NPT	A,B,C,D,E	1

INITIAL RELEASE	S.J.	07/10/17	
SYM.	REVISION DESCRIPTION	APP	DATE
THE DESIGN AND DIMENSIONS OF THE PRODUCT SHOWN ON THIS DRAWING ARE SUBJECT TO CHANGE WITHOUT NOTICE			
TITLE: <b>SINGLE GANG WITH 5-HOLE RECT. BOX</b>			

TOLERANCE UNLESS OTHERWISE SPECIFIED  
.XX DECIMAL ±.015  
.XXX DECIMAL ±.005  
ANGLE ±2°

**RACO**  
South Bend, Indiana

DRAWN BY:	F.P.	SCALE:
APP. BY:	S.J.	1:2
DATE:	07/10/2017	

FILE NO. : SINGLE GANG BOX WITH 5 OUTLETS CUS  
DIMENSION SHEET FOR CAT. NO. SEE CHART  
SIZE: B