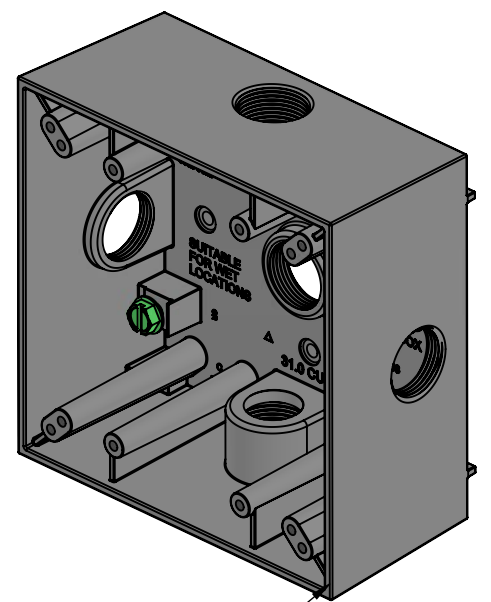


CAT. #	COLOR	Ø D	HARDWARE PACK			
			GROUNDING SCREW QTY.	CLOSURE PLUG QTY.	MOUNTING LUG QTY.	MOUNTING LUG SCRW QTY.
5334-0	GRAY AKZO NOBLE# JW107N	.62 [15.7]	2	2	2	2
5342-0	GRAY AKZO NOBLE# JW107N	.84 [21.3]	2	2	2	2

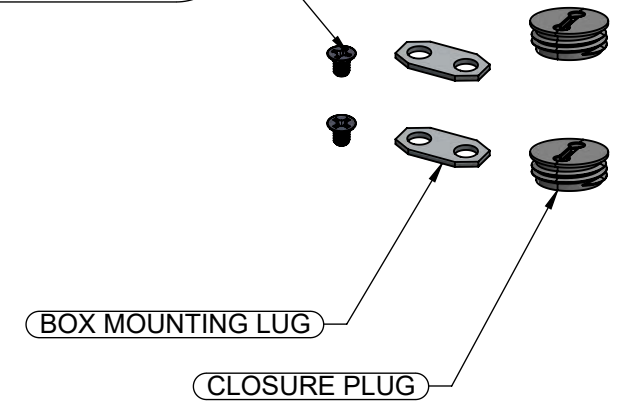
REVISIONS			
REV.	DATE	DESCRIPTION	BY:
-	12-22-21	INITIAL RELEASE OF DRAWING	VS

FILE NO. :
TWO GANG BOX WITH 5 OUTLETS 4 SIDES CUS



TWO GANG BOX

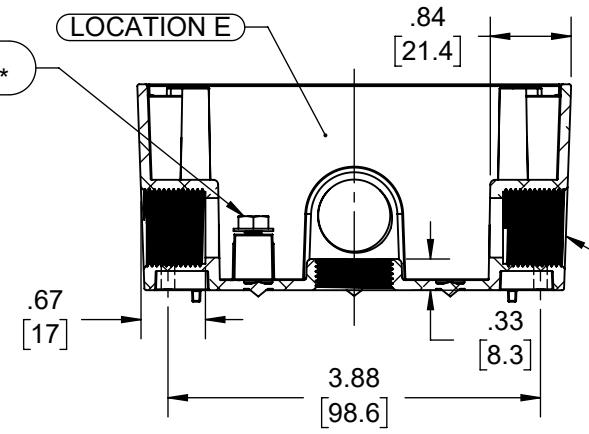
#8-32 UNC-2A X 1/4" CROSS RECESSED UNDERCUT FLAT COUNTERSUNK HEAD, SELF TAPPING SCREW-TYPE F



BOX MOUNTING LUG

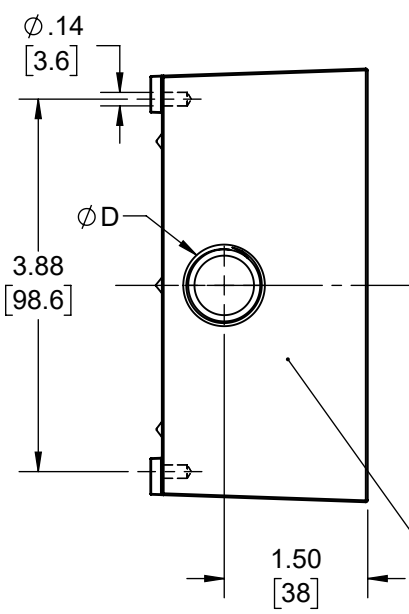
CLOSURE PLUG

#10-32 UNF-2A X 3/8" HEX WASHER SELF TAPPING TRILOBULAR GROUNDING SCREW ***

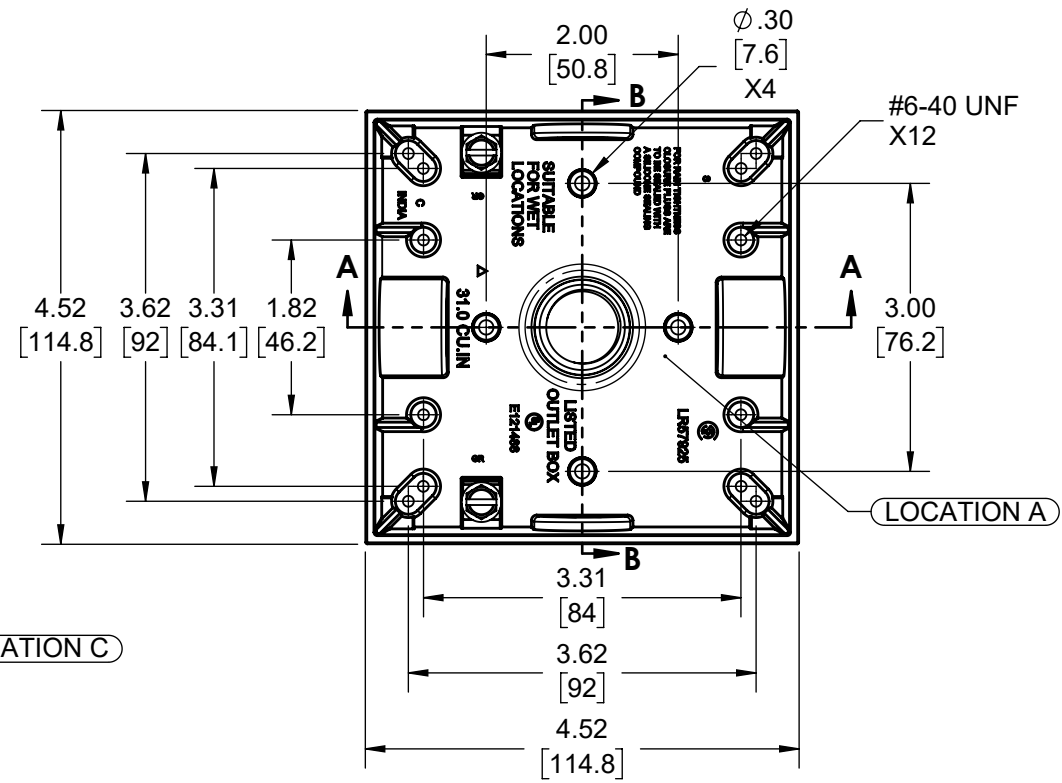


SECTION A-A

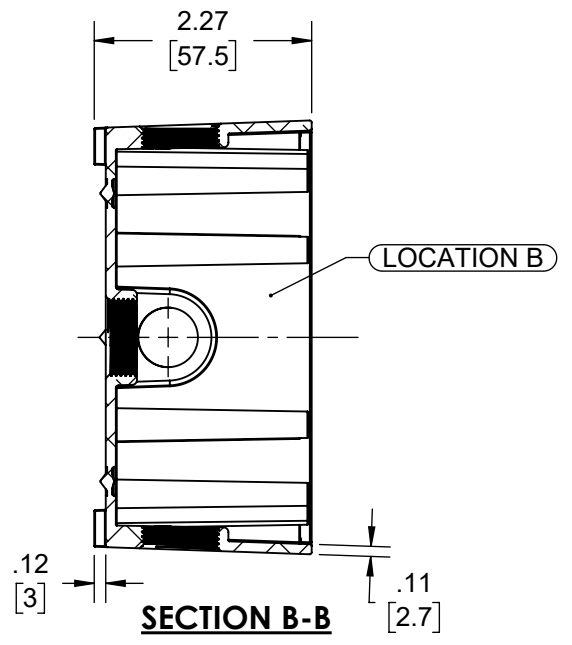
OUTLET SIZE
(SEE TABLE BELOW)



LOCATION C

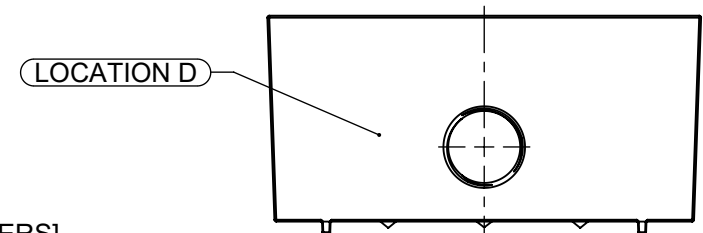


LOCATION A



SECTION B-B

LOCATION B



LOCATION D

ALTERNATE	ZINC	NATURAL
PRIMARY	LEXAN	GRAY
CLOSURE PLUG	MATERIAL	FINISH
	CLOSURE PLUG 1/2" & 3/4" NPT	

DESCRIPTION	MATERIAL	FINISH
MOUNTING LUG SCREW	C1022 STEEL	.00015" ZINC PASSIVATION
MOUNTING LUG	CRCA	N/A
GROUNDING SCREW	STEEL	GREEN ZINC AERODITE
TWO GANG BOX	DIE-CAST ALUMINUM	PAINT

LISTS OF PARTS
THE DESIGN AND DIMENSIONS OF THE PRODUCT SHOWN ON THIS DRAWING ARE SUBJECT TO CHANGE WITHOUT NOTICE
TITLE:
TWO GANG BOX WITH 5-HOLES RECT. BOX

CAT. #	OUTLETS				
	OUTLET SIZE	OUTLET LOCATION	OUTLET QTY.	OUTLET LOCATION	OUTLET QTY.
5334-0	1/2" - 14 NPT	A, B & C	1	D & E	1
5342-0	3/4" - 14 NPT	A, B & C	1	D & E	1

TOLERANCE UNLESS OTHERWISE SPECIFIED	RACO		SCALE:	SIZE:
.XX DECIMAL ±.015 .XXX DECIMAL ±.005 ANGLE ±2°			DRAWN BY: VS	SCALE: 1:2
	APP. BY: N.S.	DATE: 12-22-21		

- NOTES:**
1. ALL DIMENSIONS ARE IN INCHES AND [MILLIMETERS]
2. BOX VOLUME: 32.00 IN³ [524.4 CM³]
3. UL, CSA & NEMA LISTED.

DIMENSION SHEET FOR CAT. NO. :
SEE CHART
8.5in*11.1in