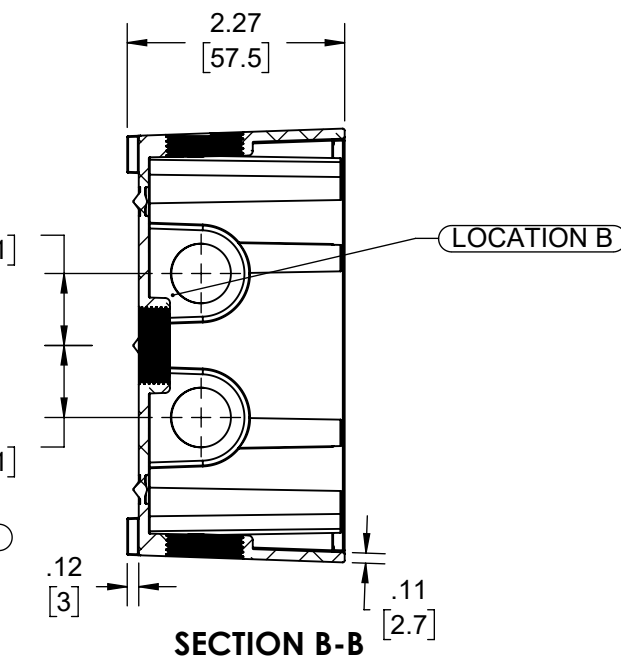
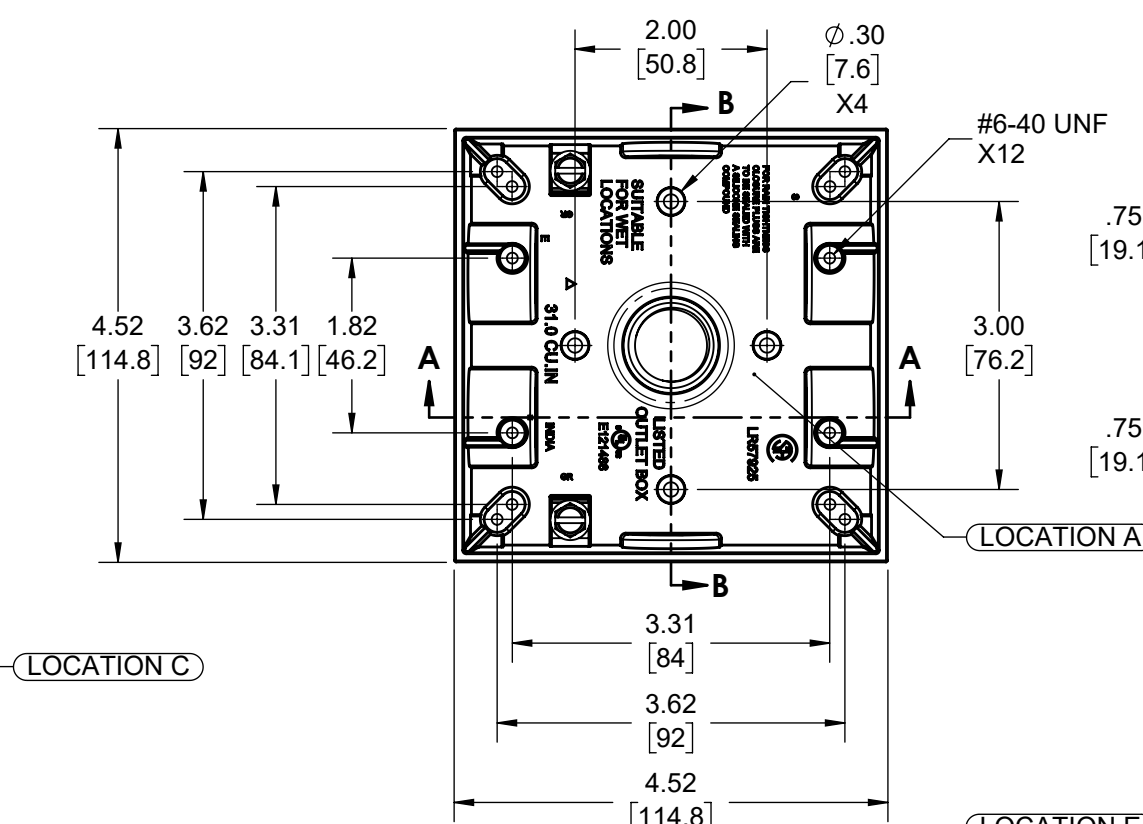
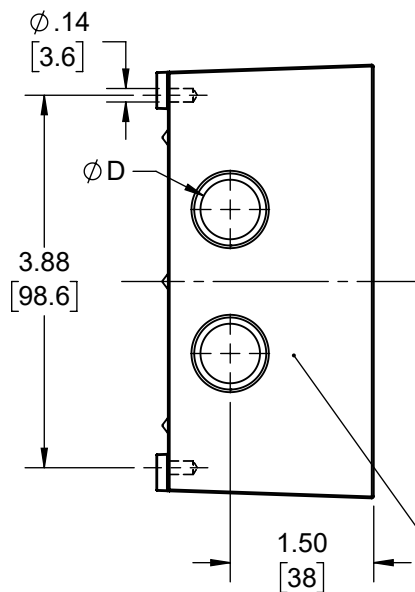
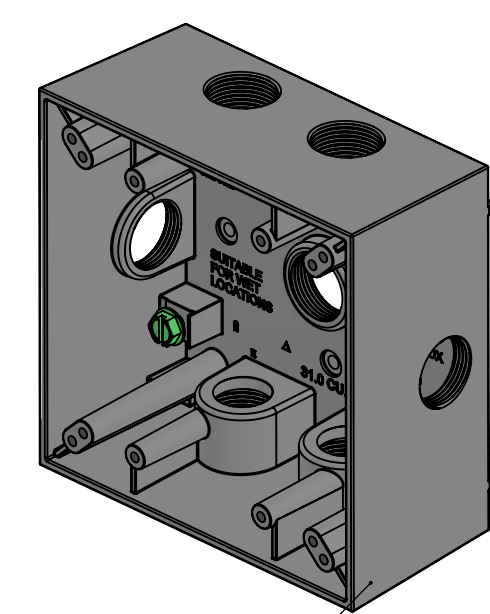
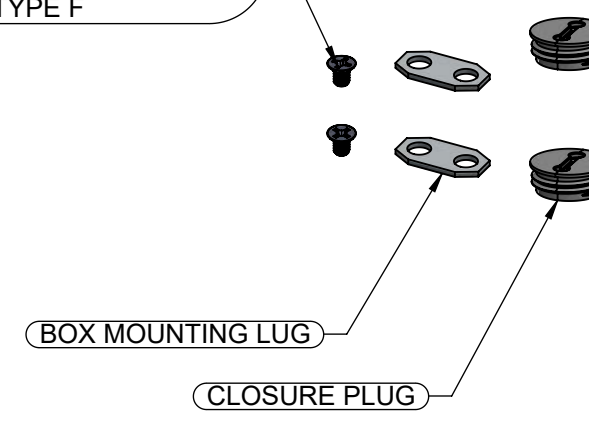
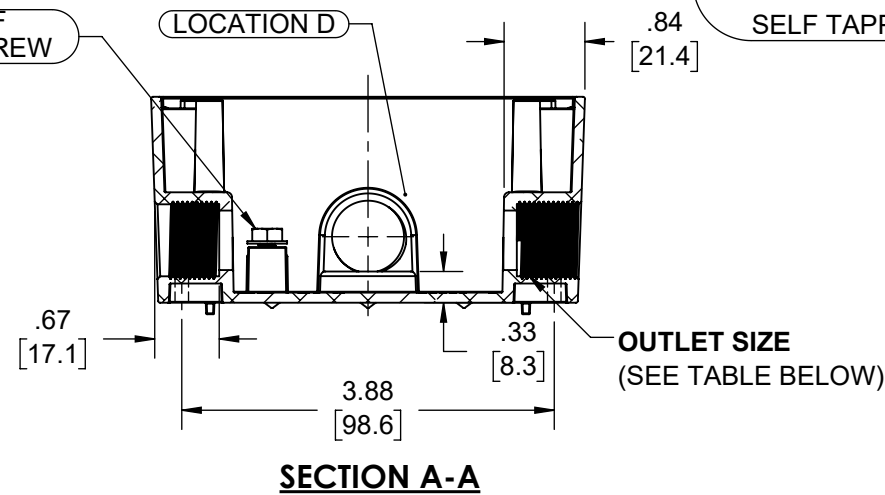


CAT. #	COLOR	Ø D	HARDWARE PACK			
			GROUNDING SCREW QTY.	CLOSURE PLUG QTY.	MOUNTING LUG QTY.	MOUNTING LUG SCRW QTY.
5338-0	GRAY AKZO NOBLE# JW107N	.62 [15.7]	2	2	2	2
5346-0	GRAY AKZO NOBLE# JW107N	.84 [21.3]	2	2	2	2

REVISIONS			
REV.	DATE	DESCRIPTION	BY:
-	12-22-21	INITIAL RELEASE OF DRAWING	VS

#10-32 UNF-2A X 3/8" HEX WASHER SELF TAPPING TRILOBULAR GROUNDING SCREW

#8-32 UNC-2A X 1/4" CROSS RECESSED UNDERCUT FLAT COUNTERSUNK HEAD, SELF TAPPING SCREW-TYPE F



ALTERNATE	ZINC	NATURAL
PRIMARY	LEXAN	GRAY
CLOSURE PLUG	MATERIAL	FINISH
	CLOSURE PLUG 1/2" & 3/4" NPT	
MOUNTING LUG SCREW	C1022 STEEL	.00015" ZINC PASSIVATION
MOUNTING LUG	CRCA	N/A
GROUNDING SCREW	STEEL	GREEN ZINC AERODITE
TWO GANG BOX	DIE-CAST ALUMINUM	PAINT
DESCRIPTION	MATERIAL	FINISH

LISTS OF PARTS
THE DESIGN AND DIMENSIONS OF THE PRODUCT SHOWN ON THIS DRAWING ARE SUBJECT TO CHANGE WITHOUT NOTICE
TITLE:
TWO GANG BOX WITH 7-HOLES RECT. BOX

- NOTES:**
1. ALL DIMENSIONS ARE IN INCHES AND [MILLIMETERS]
2. BOX VOLUME: 31.0 IN³ [508.0 CM³]
3. UL, CSA & NEMA LISTED.

CAT. #	OUTLETS				
	OUTLET SIZE	OUTLET LOCATION	OUTLET QTY.	OUTLET LOCATION	OUTLET QTY.
5338-0	1/2" - 14 NPT	A,E,D	1	B & C	2
5346-0	3/4" - 14 NPT	A,E,D	1	B & C	2

TOLERANCE UNLESS OTHERWISE SPECIFIED

.XX DECIMAL ±.015
.XXX DECIMAL ±.005
ANGLE ±2°

RACO

DRAWN BY: VS
APP. BY: N.S.
DATE: 12-22-21

SCALE: 1:2