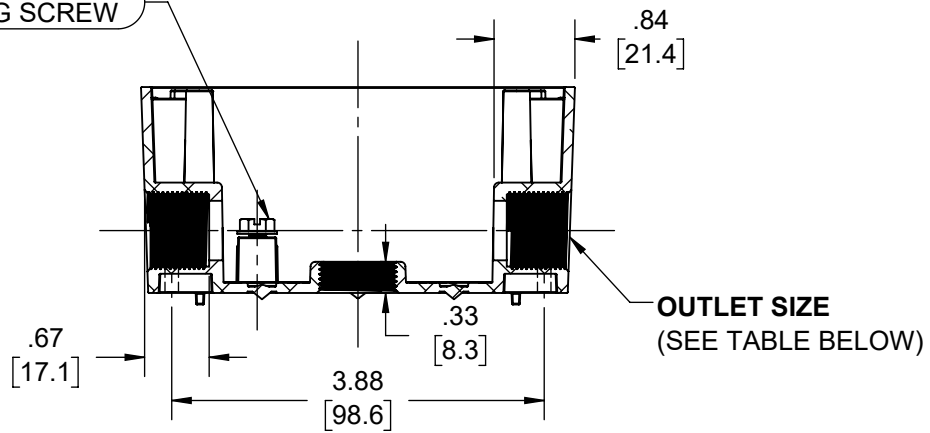


CAT. #	COLOR	Ø D	HARDWARE PACK			
			GROUNDING SCREW QTY.	CLOSURE PLUG QTY.	MOUNTING LUG QTY.	MOUNTING LUG SCRW QTY.
5333-0	GRAY AKZO NOBLE# JW107N	.50 [12.9]	2	2	2	2
5341-0	GRAY AKZO NOBLE# JW107N	.75 [19.05]	2	2	2	2

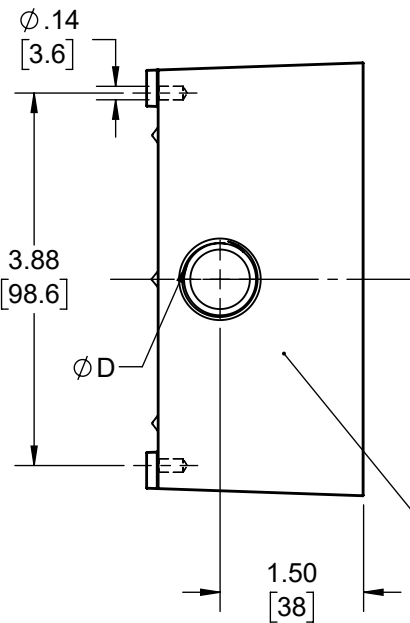
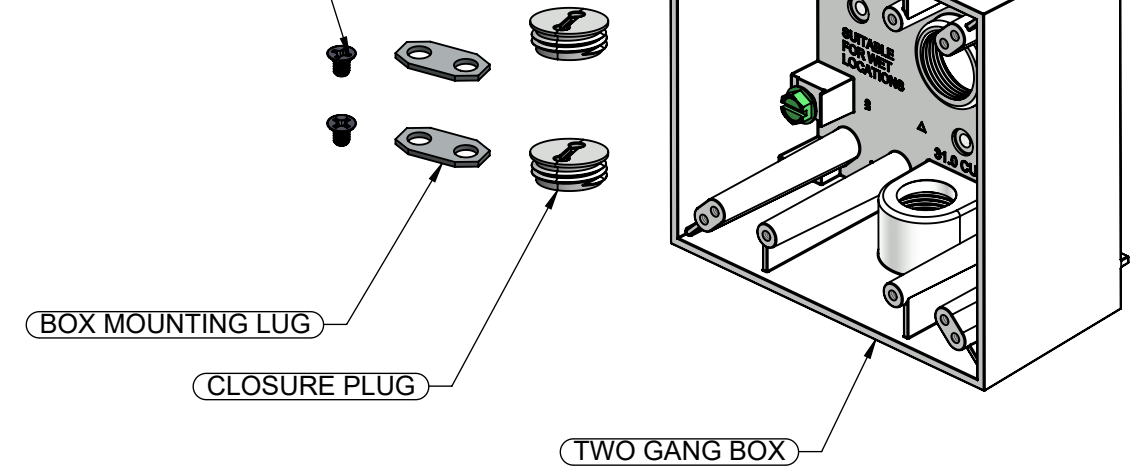
REVISIONS			
REV.	DATE	DESCRIPTION	BY:
-	12-22-21	INITIAL RELEASE OF DRAWING	MS

#10-32 UNF-2A X 3/8" HEX WASHER SELF TAPPING TRILOBULAR GROUNDING SCREW

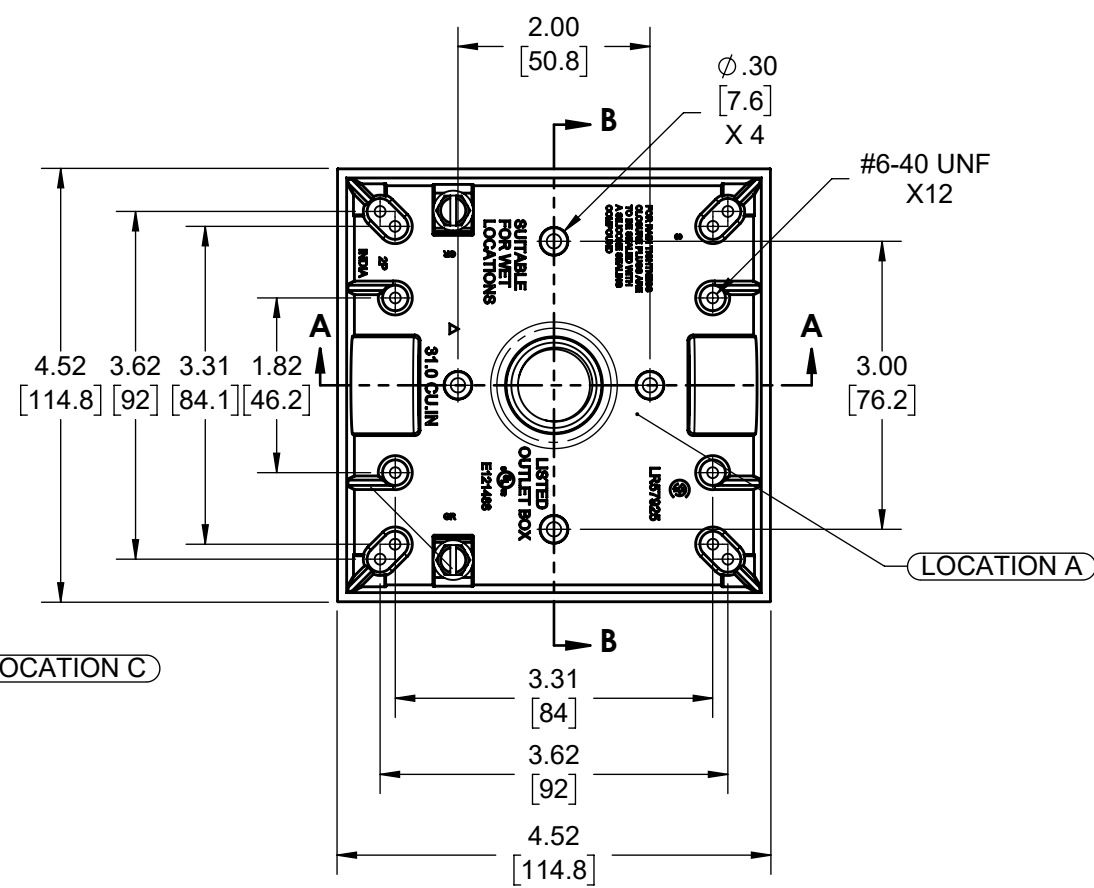
#8-32 UNC-2A X 1/4" CROSS RECESSED UNDERCUT FLAT COUNTERSUNK HEAD, SELF TAPPING SCREW-TYPE F



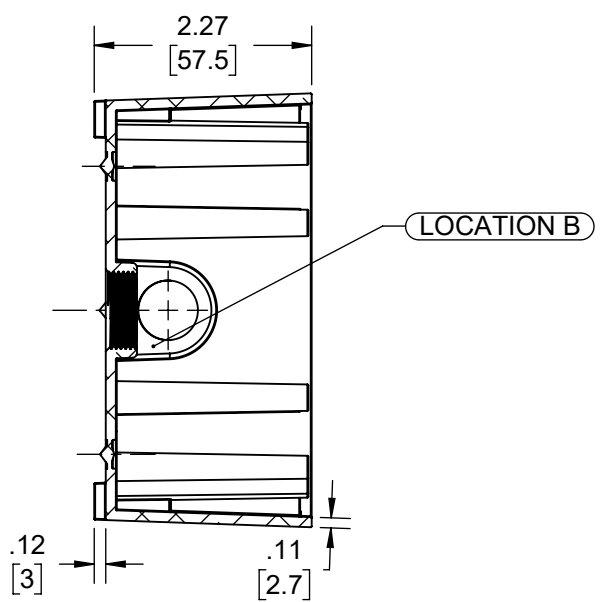
SECTION A-A



LOCATION C



LOCATION A



SECTION B-B

ALTERNATE	ZINC	NATURAL
PRIMARY	LEXAN	GRAY
GRAY BOX	MATERIAL	FINISH
	CLOSURE PLUG 1/2" & 3/4" NPT	
MOUNTING LUG SCREW	C1022 STEEL	.00015" ZINC PASSIVATION
MOUNTING LUG	CRCA	N/A
CLOSURE PLUG	LEXAN/ZINC	SEE TABLE
GROUNDING SCREW	STEEL	GREEN ZINC AERODITE
TWO GANG BOX	DIE-CAST ALUMINUM	PAINT
DESCRIPTION	MATERIAL	FINISH

LISTS OF PARTS

THE DESIGN AND DIMENSIONS OF THE PRODUCT SHOWN ON THIS DRAWING ARE SUBJECT TO CHANGE WITHOUT NOTICE

TITLE:
TWO GANG BOX WITH 3-HOLES RECT. BOX

- NOTES:**
- ALL DIMENSIONS ARE IN INCHES AND [MILLIMETERS]
 - BOX VOLUME: 31.00 IN³ [508.0 CM³]
 - UL, CSA & NEMA LISTED.

CAT. #	OUTLETS		
	OUTLET SIZE	OUTLET LOCATION	OUTLET QTY.
5333-0	1/2" - 14 NPT	A, B & C	1
5341-0	3/4" - 14 NPT	A, B & C	1

TOLERANCE UNLESS OTHERWISE SPECIFIED

.XX DECIMAL ±.015
.XXX DECIMAL ±.005
ANGLE ±2°

RACO

DRAWN BY: VS
APP. BY: N.S.
DATE: 12-22-21

SCALE: 1:2