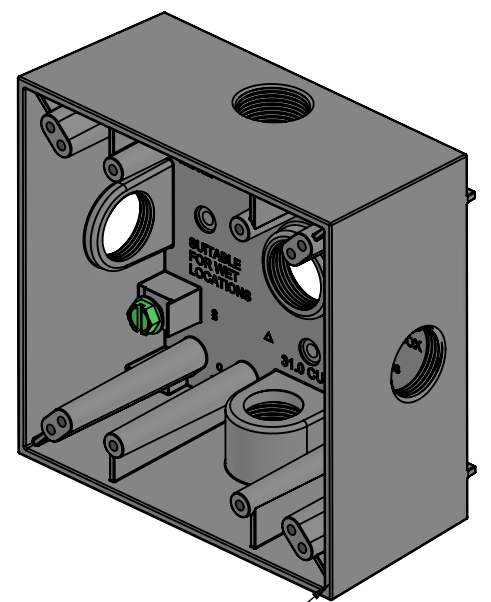


CAT. #	COLOR	Ø D	HARDWARE PACK			
			GROUNDING SCREW QTY.	CLOSURE PLUG QTY.	MOUNTING LUG QTY.	MOUNTING LUG SCRW QTY.
5334-0	GRAY AKZO NOBLE# JW107N	.62 [15.7]	2	2	2	2
5342-0	GRAY AKZO NOBLE# JW107N	.84 [21.3]	2	2	2	2

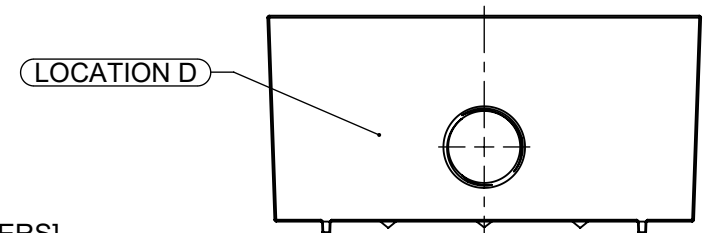
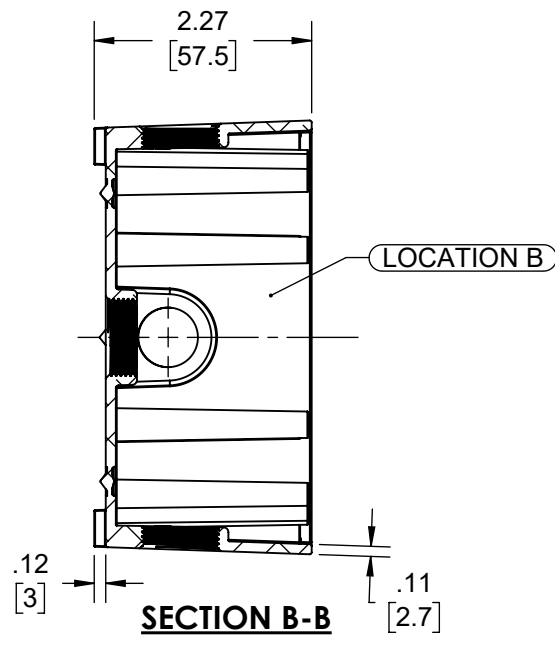
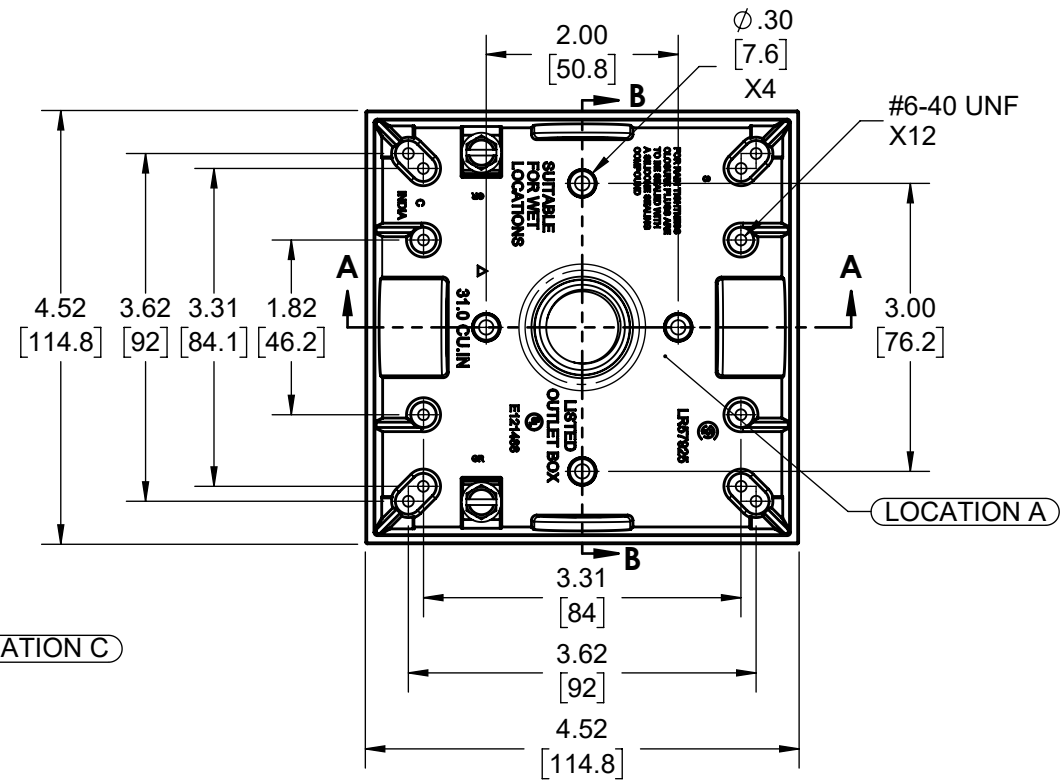
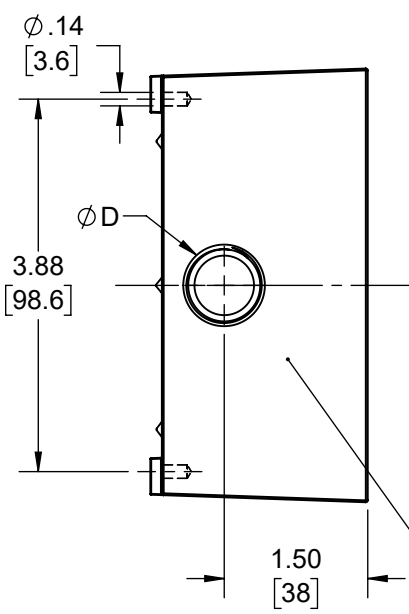
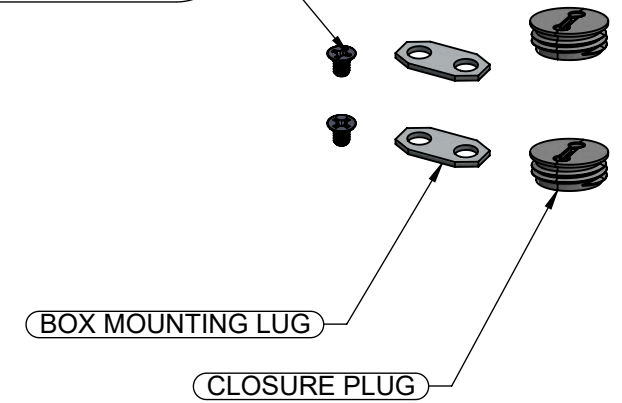
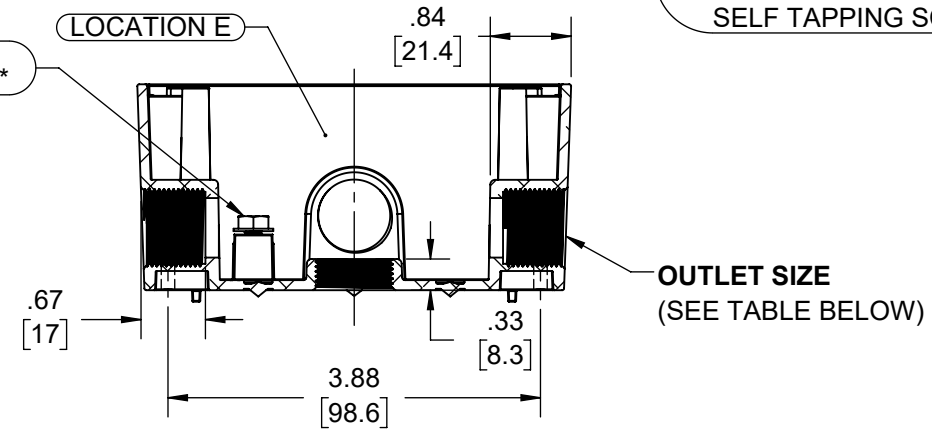
REVISIONS			
REV.	DATE	DESCRIPTION	BY:
-	12-22-21	INITIAL RELEASE OF DRAWING	VS

FILE NO. :  
TWO GANG BOX WITH 5 OUTLETS 4 SIDES CUS



#8-32 UNC-2A X 1/4" CROSS RECESSED UNDERCUT FLAT COUNTERSUNK HEAD, SELF TAPPING SCREW-TYPE F

#10-32 UNF-2A X 3/8" HEX WASHER SELF TAPPING TRILOBULAR GROUNDING SCREW \*\*\*



ALTERNATE	ZINC	NATURAL
PRIMARY	LEXAN	GRAY
CLOSURE PLUG	MATERIAL	FINISH
	CLOSURE PLUG 1/2" & 3/4" NPT	
MOUNTING LUG SCREW	C1022 STEEL	.00015" ZINC PASSIVATION
MOUNTING LUG	CRCA	N/A
GROUNDING SCREW	STEEL	GREEN ZINC AERODITE
TWO GANG BOX	DIE-CAST ALUMINUM	PAINT
DESCRIPTION	MATERIAL	FINISH

**LISTS OF PARTS**  
THE DESIGN AND DIMENSIONS OF THE PRODUCT SHOWN ON THIS DRAWING ARE SUBJECT TO CHANGE WITHOUT NOTICE  
TITLE:  
**TWO GANG BOX WITH 5-HOLES RECT. BOX**

- NOTES:**  
1. ALL DIMENSIONS ARE IN INCHES AND [MILLIMETERS]  
2. BOX VOLUME: 32.00 IN<sup>3</sup> [524.4 CM<sup>3</sup>]  
3. UL, CSA & NEMA LISTED.

CAT. #	OUTLETS				
	OUTLET SIZE	OUTLET LOCATION	OUTLET QTY.	OUTLET LOCATION	OUTLET QTY.
5334-0	1/2" - 14 NPT	A, B & C	1	D & E	1
5342-0	3/4" - 14 NPT	A, B & C	1	D & E	1

TOLERANCE UNLESS OTHERWISE SPECIFIED  
.XX DECIMAL ±.015  
.XXX DECIMAL ±.005  
ANGLE ±2°

DRAWN BY: VS  
APP. BY: N.S.  
DATE: 12-22-21

SCALE: 1:2

DIMENSION SHEET FOR CAT. NO. **B**  
SEE CHART  
8.5in