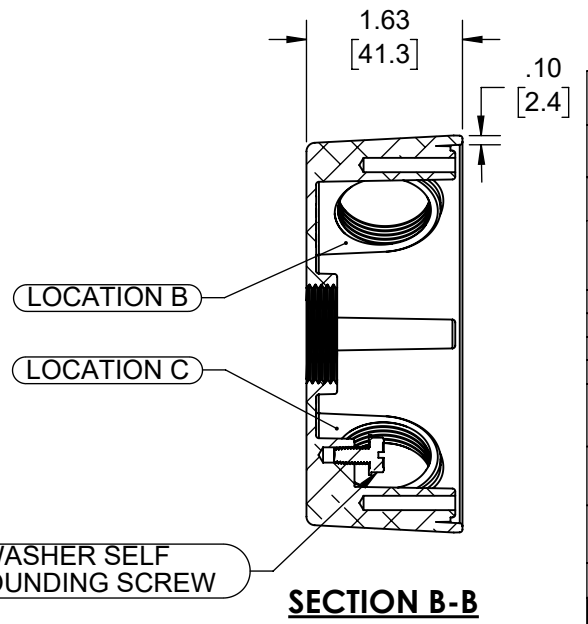
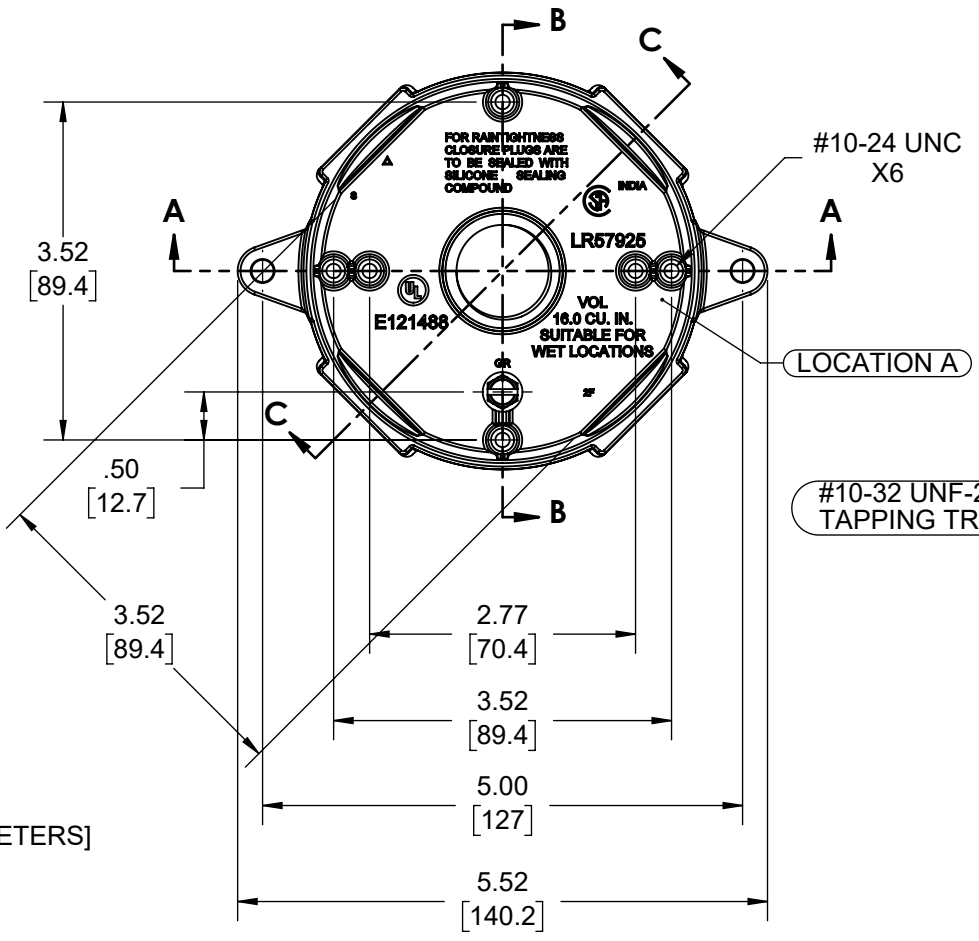
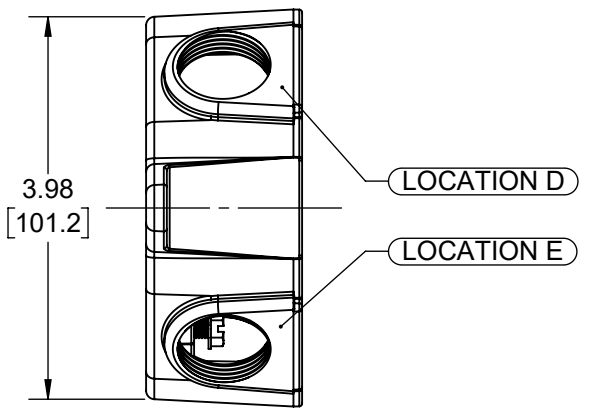
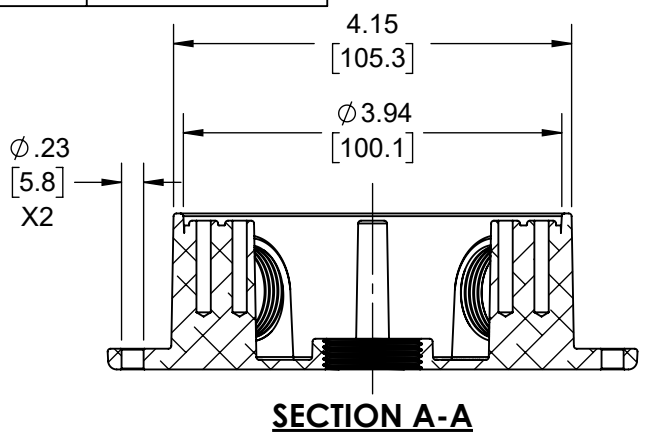
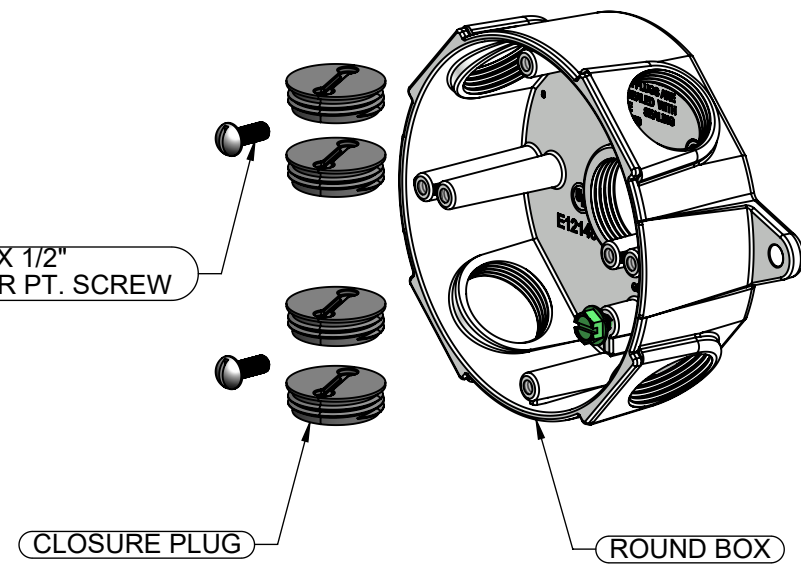
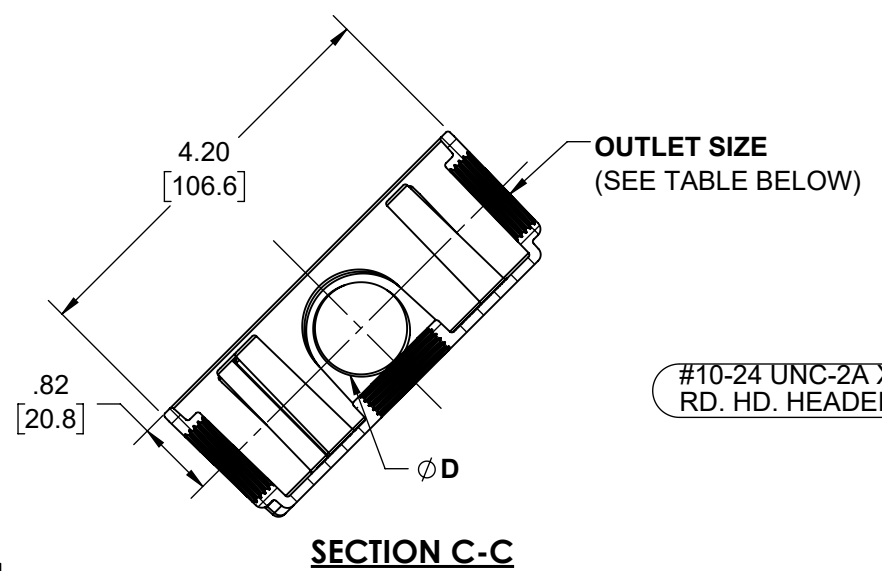


CAT. #	COLOR	Ø D	HARDWARE PACK		
			GROUNDING SCREW QTY.	CLOSURE PLUG QTY.	MOUNTING SCREW QTY.
5361-0	GRAY AKZO NOBLE# JW107N	.62 [15.7]	1	4	2
5361-1	WHITE AKZO NOBLE# JW045N	.62 [15.7]	1	4	2
5261-2	BRONZE AKZO NOBLE# JW015N	.62 [15.7]	1	4	2
5361-5	GRAY AKZO NOBLE# JW107N	.62 [15.7]	1	4	2
5361-6	WHITE AKZO NOBLE# JW045N	.62 [15.7]	1	4	2
5361-7	BRONZE AKZO NOBLE# JW015N	.62 [15.7]	1	4	2
5372-0	GRAY AKZO NOBLE# JW107N	.84 [21.3]	1	4	2

REVISIONS			
REV.	DATE	DESCRIPTION	BY:
-	12-22-21	INITIAL RELEASE OF DRAWING	MS



ALTERNATE	ZINC	NATURAL
PRIMARY	LEXAN	GRAY
GRAY BOX	MATERIAL	FINISH
	CLOSURE PLUG 1/2" & 3/4" NPT	
MOUNTING SCREW	C1022 STEEL	.00015" ZINC PASSIVATION
GROUNDING SCREW	STEEL	GREEN ZINC AERODITE
ROUND BOX	DIE-CAST ALUMINUM	PAINT
DESCRIPTION	MATERIAL	FINISH

CAT. #	OUTLETS		
	OUTLET SIZE	OUTLET LOCATION	OUTLET QTY.
5361-0	1/2" - 14 NPT	A,B,C,D & E	1
5361-1	1/2" - 14 NPT	A,B,C,D & E	1
5361-2	1/2" - 14 NPT	A,B,C,D & E	1
5361-5	1/2" - 14 NPT	A,B,C,D & E	1
5361-6	1/2" - 14 NPT	A,B,C,D & E	1
5361-7	1/2" - 14 NPT	A,B,C,D & E	1
5372-0	3/4" - 14 NPT	A,B,C,D & E	1

THE DESIGN AND DIMENSIONS OF THE PRODUCT SHOWN ON THIS DRAWING ARE SUBJECT TO CHANGE WITHOUT NOTICE

TITLE:  
**4" ROUND BOX WITH 5-HOLES ROUND CLUSTER**

TOLERANCE UNLESS OTHERWISE SPECIFIED			DRAWN BY:	MS	SCALE:	SIZE:
.XX DECIMAL ±.015			APP. BY:	N.S.	1:2	<b>B</b>
.XXX DECIMAL ±.005			DATE:	12-22-21		
ANGLE ±2°						

- NOTES:**
- ALL DIMENSIONS ARE IN INCHES AND [MILLIMETERS]
  - BOX VOLUME: 16.00 IN³ [262.2 CM³]
  - UL, CSA & NEMA LISTED.