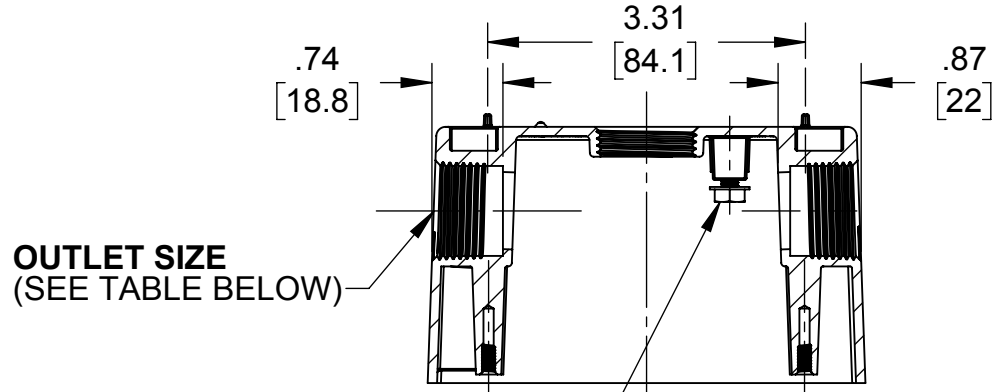
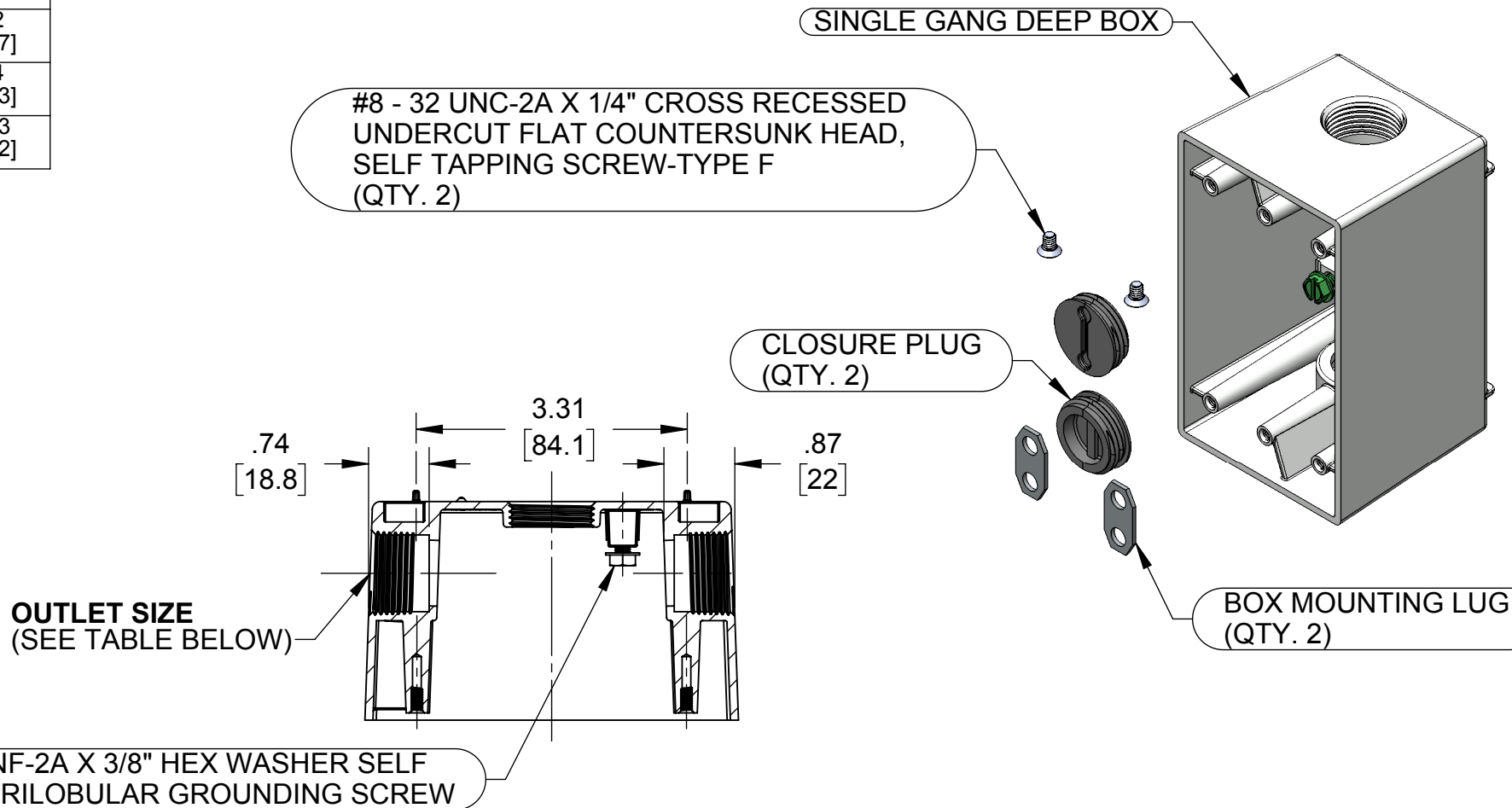
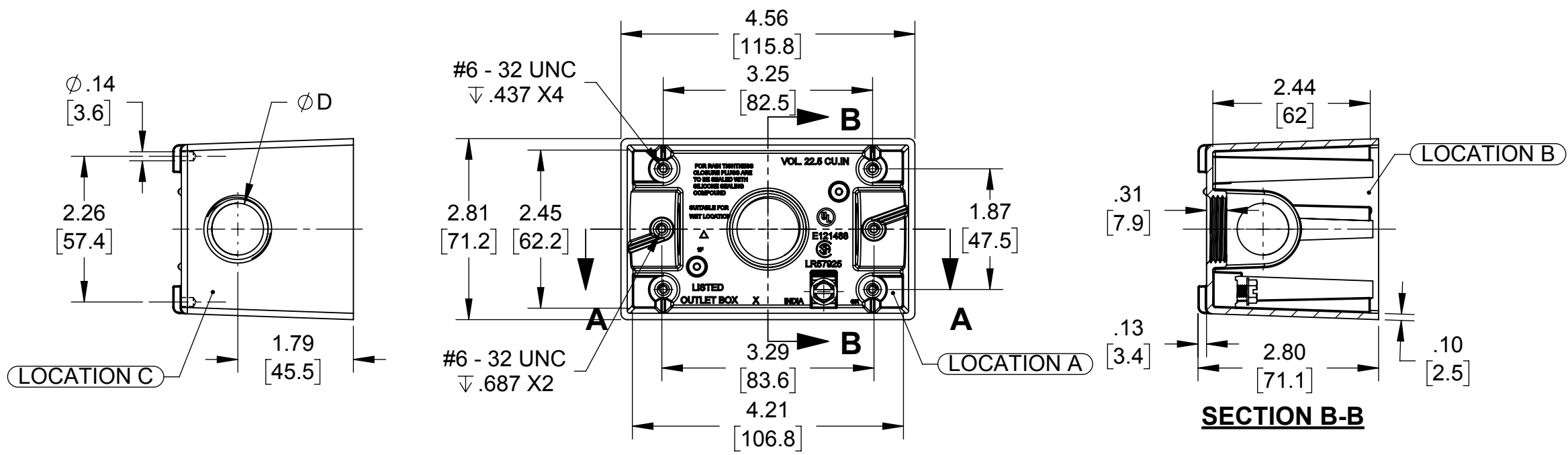


CAT. #	COLOR	Ø D
5385-0	GRAY AKZO NOBEL# JW107N	.62 [15.7]
5386-0	GRAY AKZO NOBEL# JW107N	.84 [21.3]
5387-0	GRAY AKZO NOBEL# JW107N	1.03 [26.2]



#10-32UNF-2A X 3/8" HEX WASHER SELF TAPPING TRILOBULAR GROUNDING SCREW

SECTION A-A



OUTLETS			
CAT. #	OUTLET SIZE	OUTLET LOCATION	OUTLET QTY.
5385-0	1/2" - 14 NPT	A,B & C	1
5386-0	3/4" - 14 NPT	A,B & C	1
5387-0	1" - 11.5 NPT	A,B & C	1

LIST OF PARTS		
DESCRIPTION	MATERIAL	FINISH
SINGLE GANG DEEP BOX	DIE-CAST ALUMINUM	PAINT
GROUNDING SCREW	C1022 STEEL	GREEN ZINC AERODITE
CLOSURE PLUG	LEXAN/ZINC	SEE TABLE
MOUNTING LUG	CRCA	N/A
MOUNTING LUG SCREW	C1022 STEEL	.00015" ZINC PASSIVATION

GRAY BOX	CLOSURE PLUG 1/2" & 3/4" NPT	
	MATERIAL	FINISH
PRIMARY	LEXAN	GRAY
ALTERNATE	ZINC	NATURAL

GRAY BOX	CLOSURE PLUG 1" NPT	
	MATERIAL	FINISH
PRIMARY	ZINC	NATURAL

SYMBOL	INITIAL RELEASE	S.J.	07/12/17
	REVISION DESCRIPTION	APP	DATE

THE DESIGN AND DIMENSIONS OF THE PRODUCT SHOWN ON THIS DRAWING ARE SUBJECT TO CHANGE WITHOUT NOTICE

TITLE:
SINGLE GANG DEEP WITH 3-HOLE RECT. BOX

TOLERANCE UNLESS OTHERWISE SPECIFIED
.XX DECIMAL ±.015
.XXX DECIMAL ±.005
ANGLE ±2°

RACO
South Bend, Indiana

DRAWN BY:	F.P.	SCALE:
APP. BY:	S.J.	1:2
DATE:	07/12/2017	

- NOTES:
- ALL DIMENSIONS ARE IN INCHES AND [MILLIMETERS]
 - BOX VOLUME: 22.50 IN³ [368.7 CM³]
 - UL, CSA & NEMA 3R LISTED.

FILE NO. : SINGLE GANG DEEP BOX WITH 3 OUTLETS CUS DIMENSION SHEET FOR CAT. NO. SEE CHART SIZE: B