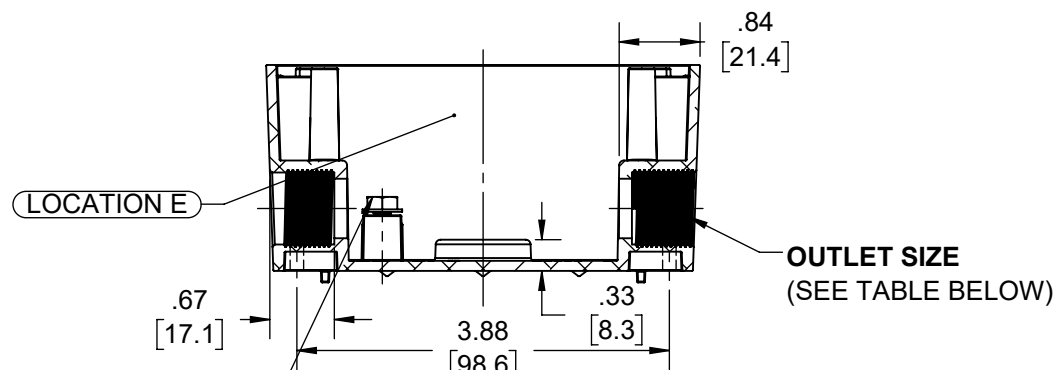
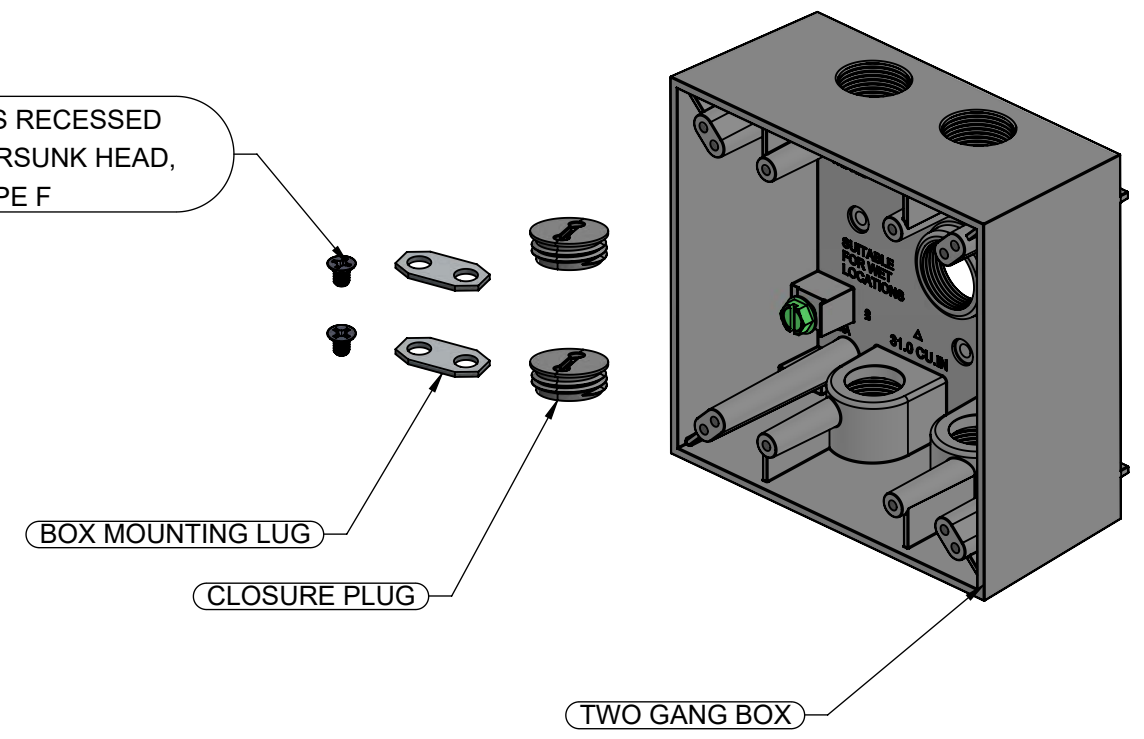


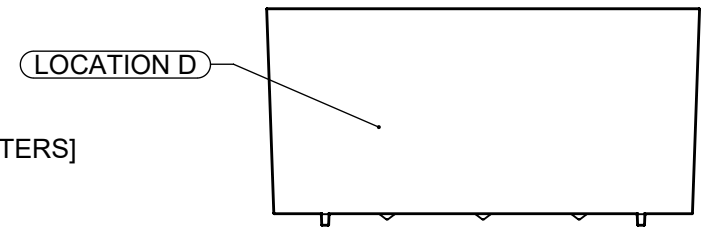
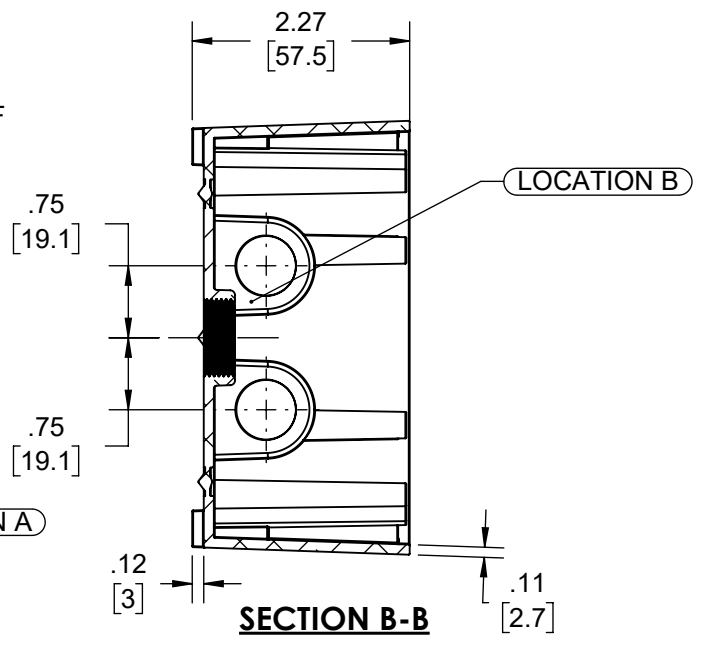
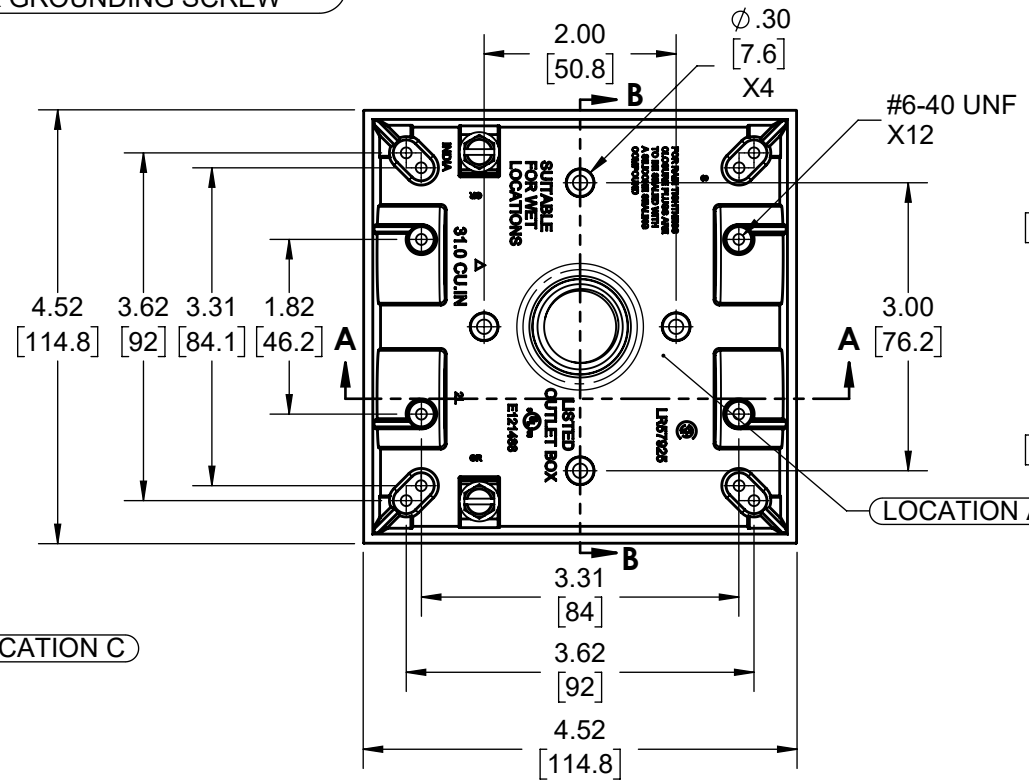
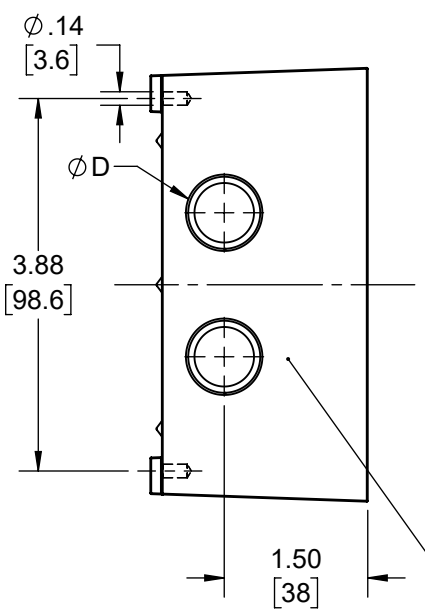
CAT. #	COLOR	Ø D	HARDWARE PACK			
			GROUNDING SCREW QTY.	CLOSURE PLUG QTY.	MOUNTING LUG QTY.	MOUNTING LUG SCRW QTY.
5337-0	GRAY AKZO NOBLE# JW107N	.62 [15.7]	2	2	2	2
5337-1	WHITE AKZO NOBLE# JW045N	.62 [15.7]	2	2	2	2
5337-5	GRAY AKZO NOBLE# JW107N	.62 [15.7]	2	2	2	2
5345-0	GRAY AKZO NOBLE# JW107N	.84 [21.3]	2	2	2	2

REVISIONS			
REV.	DATE	DESCRIPTION	BY:
-	12-22-21	INITIAL RELEASE OF DRAWING	VS

#8-32 UNC-2A X 1/4" CROSS RECESSED UNDERCUT FLAT COUNTERSUNK HEAD, SELF TAPPING SCREW-TYPE F



#10-32 UNF-2A X 3/8" HEX WASHER SELF TAPPING TRILOBULAR GROUNDING SCREW \*\*\*



ALTERNATE	ZINC	NATURAL
PRIMARY	LEXAN	GRAY
CLOSURE PLUG	MATERIAL	FINISH
	CLOSURE PLUG 1/2" & 3/4" NPT	
MOUNTING LUG SCREW	C1022 STEEL	.00015" ZINC PASSIVATION
MOUNTING LUG	CRCA	N/A
GROUNDING SCREW	STEEL	GREEN ZINC AERODITE
TWO GANG BOX	DIE-CAST ALUMINUM	PAINT
DESCRIPTION	MATERIAL	FINISH

**LISTS OF PARTS**  
THE DESIGN AND DIMENSIONS OF THE PRODUCT SHOWN ON THIS DRAWING ARE SUBJECT TO CHANGE WITHOUT NOTICE  
TITLE:  
**TWO GANG BOX WITH 5-HOLES RECT. BOX**

CAT. #	OUTLETS				
	OUTLET SIZE	OUTLET LOCATION	OUTLET QTY.	OUTLET LOCATION	OUTLET QTY.
5337-0	1/2" - 14 NPT	A	1	B & C	2
5337-1	1/2" - 14 NPT	A	1	B & C	2
5337-5	1/2" - 14 NPT	A	1	B & C	2
5345-0	3/4" - 14 NPT	A	1	B & C	2

TOLERANCE UNLESS OTHERWISE SPECIFIED	<b>RACO</b>		DRAWN BY: VS	SCALE: 1:2
.XX DECIMAL ±.015 .XXX DECIMAL ±.005 ANGLE ±2°			APP. BY: N.S.	DATE: 12-22-21

- NOTES:**  
1. ALL DIMENSIONS ARE IN INCHES AND [MILLIMETERS]  
2. BOX VOLUME: 31.00 IN³ [508.0 CM³]  
3. UL, CSA & NEMA LISTED.