

CAT. #	COLOR	BOX VOLUME	Ø D
5400-0	GRAY AKZO NOBEL# JW107N	9.50 IN ³ {155.7 CM ³ }	.62 [15.7]
5400-5	GRAY AKZO NOBEL# JW107N	9.50 IN ³ {155.7 CM ³ }	.62 [15.7]
5405-0	GRAY AKZO NOBEL# JW107N	11.00 IN ³ {180.3 CM ³ }	.79 [20.1]

LIST OF PARTS		
DESCRIPTION	MATERIAL	FINISH
EXTENSION ADAPTOR	DIE-CAST ALUMINUM	PAINT
GROUNDING SCREW	C1022 STEEL	GREEN ZINC AERODITE
CLOSURE PLUG	LEXAN/ ZINC	N/A
OVAL HEAD SCREW	C1010 STEEL	.00015" ZINC PASSIVATION
GASKET	P.E. FOAM	BLACK
GRAY BOX	CLOSURE PLUG 1/2" & 3/4" NPT	
	MATERIAL	FINISH
PRIMARY	LEXAN	GRAY
ALTERNATE	ZINC	NATURAL

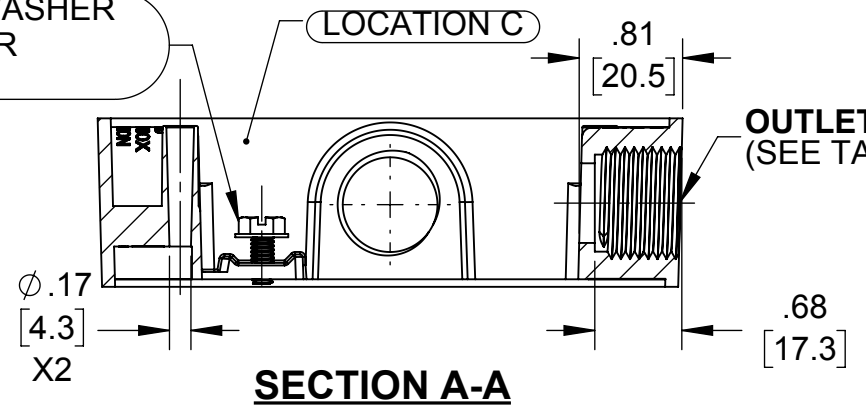
FILE NO. :
SINGLE GANG EXTENSION ADAPTER WITH 6 OUTLETS CUS

#10-32UNF-2A X 3/8" HEX WASHER SELF TAPPING TRILOBULAR GROUNDING SCREW

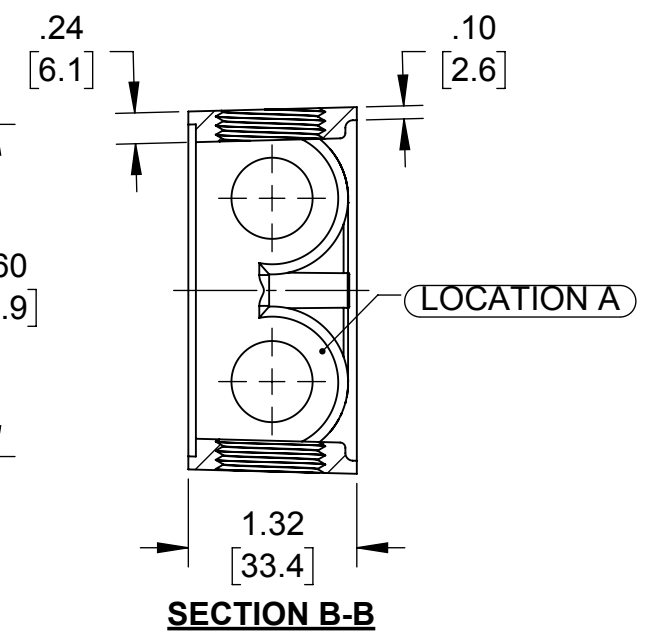
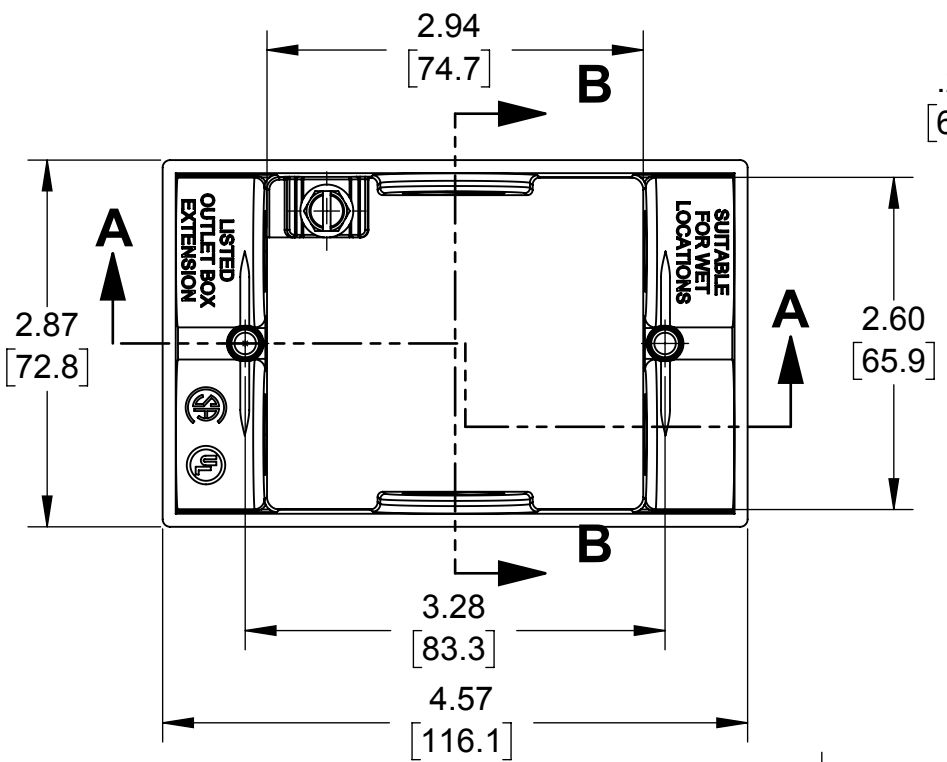
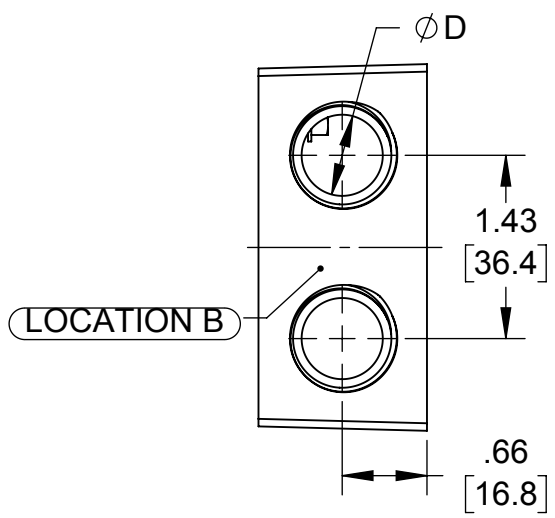
#6 - 32 UNC-2A X 1.875" OVAL COUNTERSUNK HEAD SCREW (QTY. 2)

GASKET

CLOSURE PLUG (QTY. 3)



OUTLET SIZE (SEE TABLE BELOW)



LOCATION D

- NOTES:
- ALL DIMENSIONS ARE IN INCHES AND [MILLIMETERS]
 - BOX VOLUME: SEE TABLE
 - UL & CSA LISTED.

OUTLETS					
CAT. #	OUTLET SIZE	OUTLET LOCATION	OUTLET QTY.	OUTLET LOCATION	OUTLET QTY.
5400-0	1/2" - 14 NPT	A & B	2	C & D	1
5400-5	1/2" - 14 NPT	A & B	2	C & D	1
5405-0	3/4" - 14 NPT	A & B	2	C & D	1

SYMBOL	REVISION DESCRIPTION	APP	DATE
	INITIAL RELEASE	S.J.	07-12-2017

THE DESIGN AND DIMENSIONS OF THE PRODUCT SHOWN ON THIS DRAWING ARE SUBJECT TO CHANGE WITHOUT NOTICE

TITLE:
SINGLE GANG EXTENSION ADAPTER WITH 6 OUTLETS

TOLERANCE UNLESS OTHERWISE SPECIFIED
.XX DECIMAL ±.015
.XXX DECIMAL ±.005
ANGLE ±2°

RACO
South Bend, Indiana

DRAWN BY: F.P.
APP. BY: S.J.
DATE: 07/12/2017

SCALE: 2:3

DIMENSION SHEET FOR CAT. NO. **SEE CHART**

SIZE: **B**