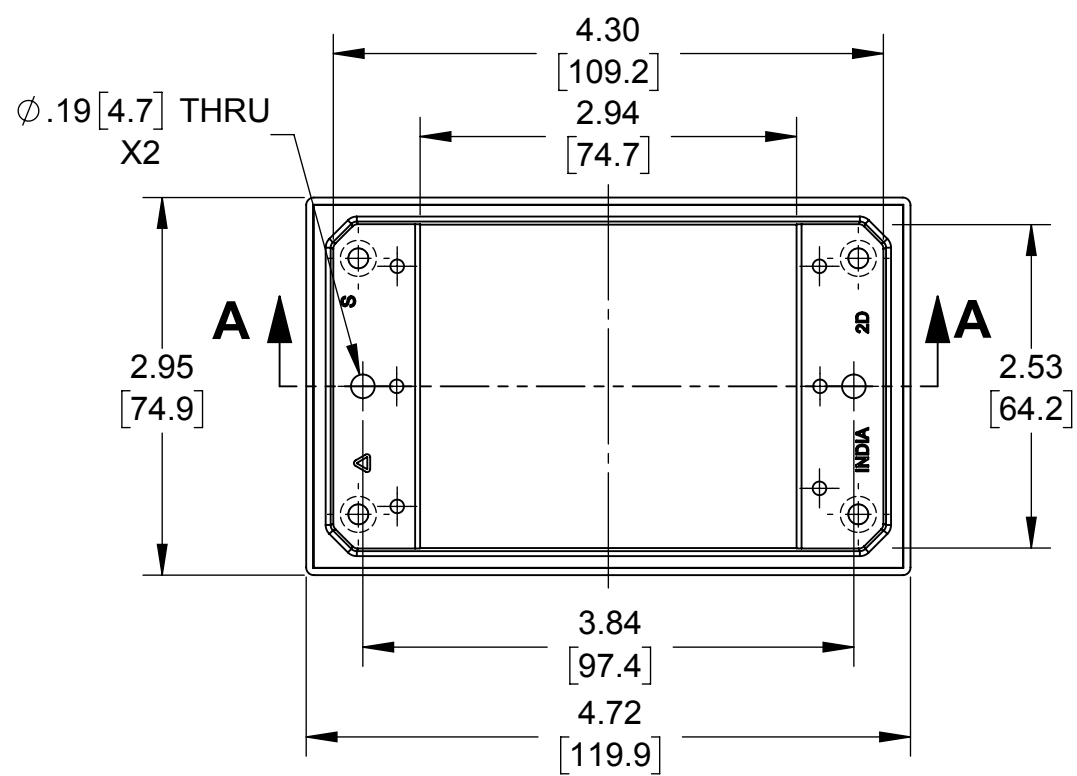
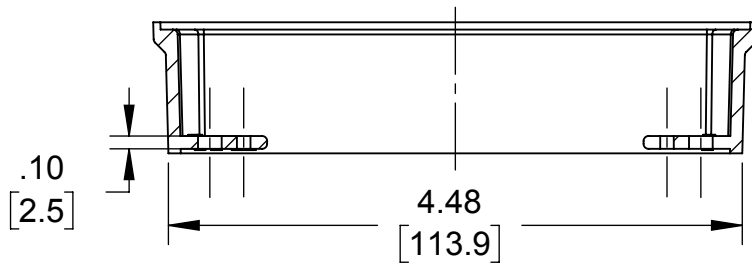
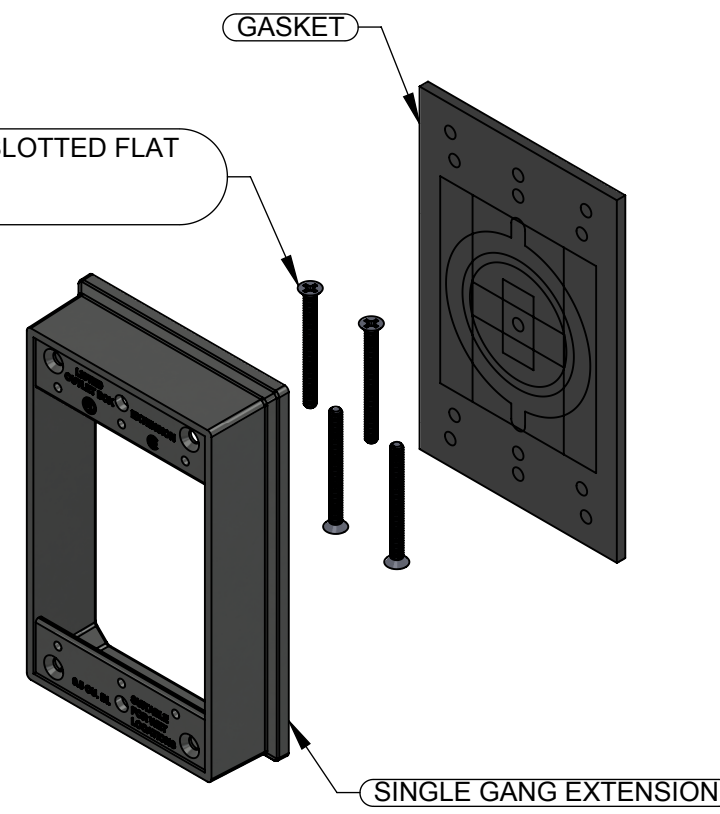


LIST OF PARTS

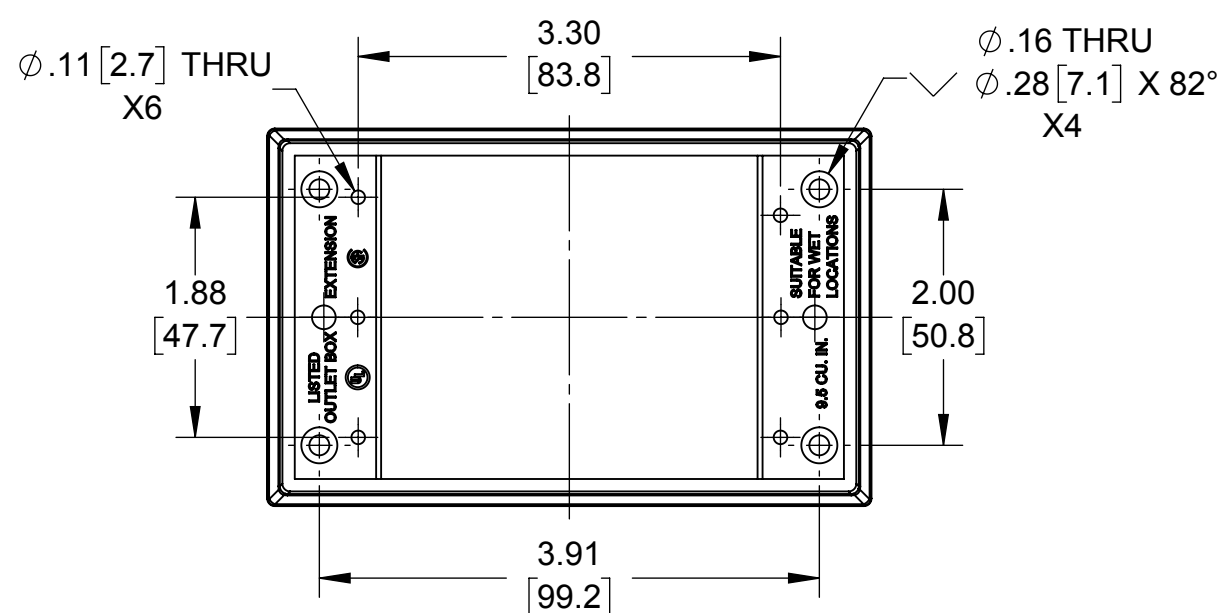
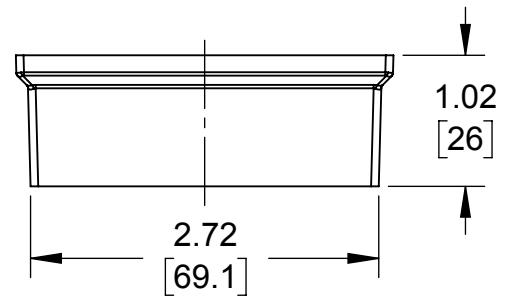
DESCRIPTION	MATERIAL	FINISH
SINGLE GANG EXTENSION	DIE-CAST ALUMINUM	PAINT
FLAT HEAD SCREW	C1010 STEEL	.00015" ZINC PASSIVATION
GASKET	P.E. FOAM	BLACK



#6 - 32 UNC X 1 29/64" SLOTTED FLAT HEAD SCREW (QTY. 4)



SECTION A-A



- NOTES:**
1. ALL DIMENSIONS ARE IN INCHES AND [MILLIMETERS]
 2. BOX VOLUME: 9.50 IN³ [155.7 CM³]
 3. BOX COLOR & PAINT CODE: GRAY (AKZO NOBEL# JW107N)
 4. UL & CSA LISTED.

SYM.	REVISION DESCRIPTION	APP	DATE
	INITIAL RELEASE	S.J.	07/12/17

THE DESIGN AND DIMENSIONS OF THE PRODUCT SHOWN ON THIS DRAWING ARE SUBJECT TO CHANGE WITHOUT NOTICE

TITLE:
SINGLE GANG EXTENSION

TOLERANCE UNLESS OTHERWISE SPECIFIED		RACO South Bend, Indiana	
.XX DECIMAL ±.015	DRAWN BY: F.P.	SCALE:	2:3
.XXX DECIMAL ±.005	APP. BY: S.J.	DATE: 07/12/2017	
ANGLE ±2°			