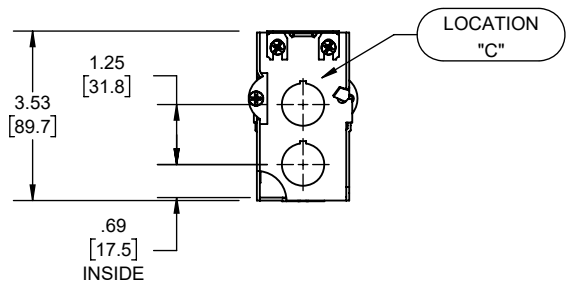
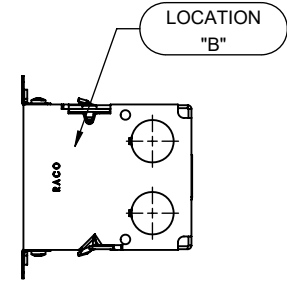
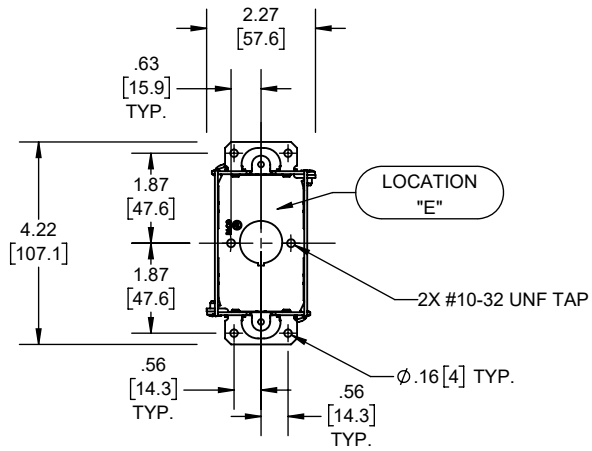
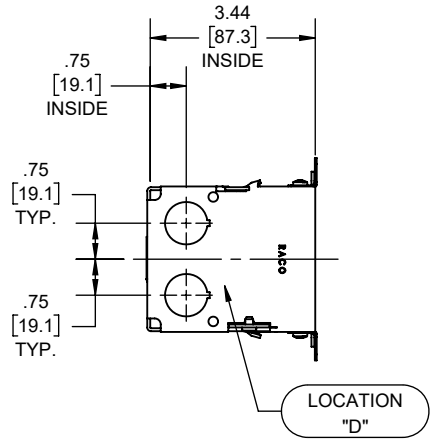
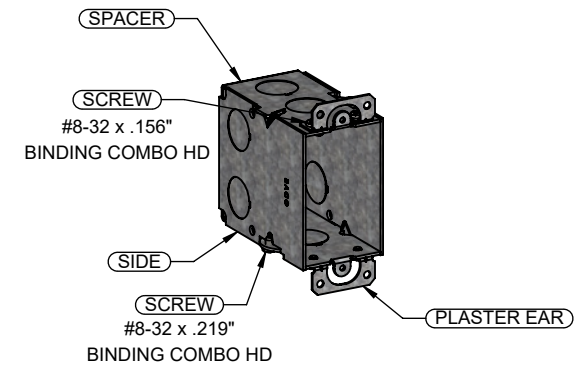
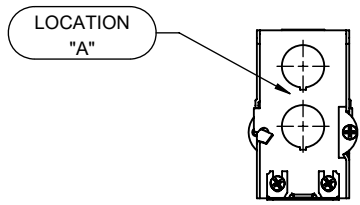


REVISIONS			
REV.	DATE	DESCRIPTION	BY
-	01-06-21	INITIAL RELEASE	RMV



DESCRIPTION	MATERIAL	FINISH
PLASTER EAR	STEEL	GALVANIZED
FASTENERS	STEEL	GALVANIZED
SIDE	STEEL	GALVANIZED
SPACER	STEEL	GALVANIZED

**LIST OF PARTS**

THE DESIGN AND DIMENSIONS OF THE PRODUCT SHOWN ON THIS DRAWING ARE SUBJECT TO CHANGE WITHOUT NOTICE

TITLE:  
**SINGLE GANG 3-1/2" DEEP WITH PLASTER EARS SWITCH BOX ASSEMBLY**

- NOTES:
- ALL DIMENSIONS ARE IN INCHES AND [MILLIMETERS]
  - BOX VOLUME: 18.0 IN<sup>3</sup> [295.0 CM<sup>3</sup>]
  - UL LISTED

KNOCKOUTS		
TRADE SIZE	LOCATION	QTY.
1/2" KO	E	1
1/2" KO	A, B, C, D	2

TOLERANCE UNLESS OTHERWISE SPECIFIED  
 .XX DECIMAL ± .015  
 .XXX DECIMAL ± .005  
 ANGLE ± 2°



DRAWN BY:	RMV	SCALE:	SIZE:
APP. BY:	N.S.		
DATE:	01-06-21	1:4	<b>A</b>