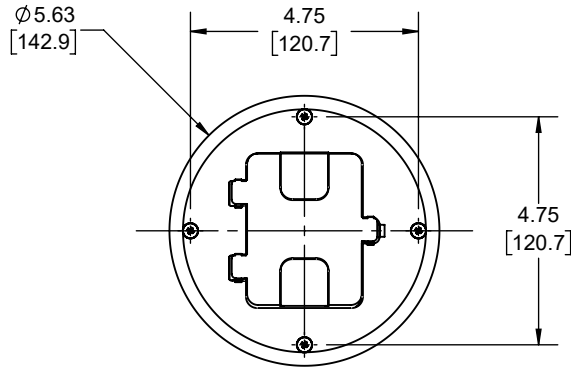
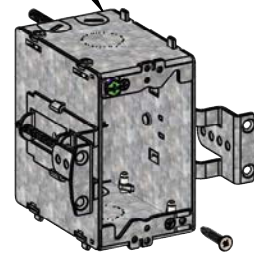


REVISIONS			
REV.	DATE	DESCRIPTION	BY
-	06-23-23	INITIAL RELEASE	JRM

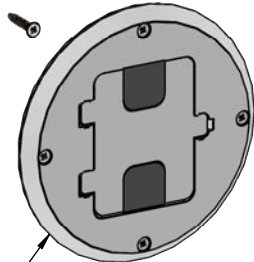


RECESSED SWITCH BOX ASSY
(SEE SHEET 3)

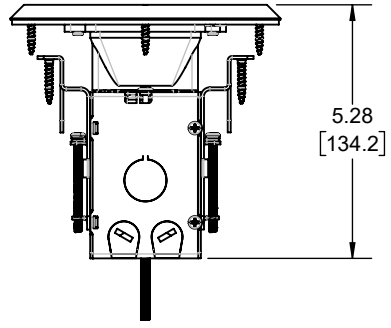
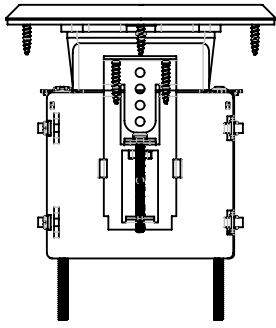


#8 x 1" WOOD SCREW

15A, 125V TAMPER RESISTANT RECEPTACLE



WOOD FLOOR DUPLEX FLOORBOX
(SEE SHEET 2)



RECEPTACLE	VARIOUS	-
FASTENERS	STEEL	GALVANIZED
DESCRIPTION	MATERIAL	FINISH

LIST OF PARTS

THE DESIGN AND DIMENSIONS OF THE PRODUCT SHOWN ON THIS DRAWING ARE SUBJECT TO CHANGE WITHOUT NOTICE

TITLE:
FLOOR BOX KIT, WOOD RESIDENTIAL, 15A, BLACK

TOLERANCE UNLESS OTHERWISE SPECIFIED

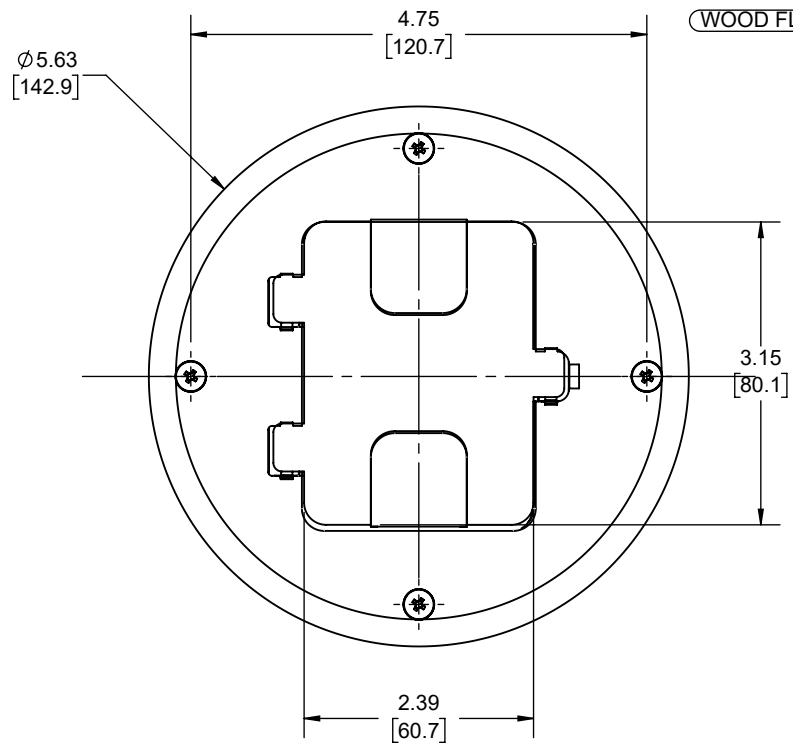
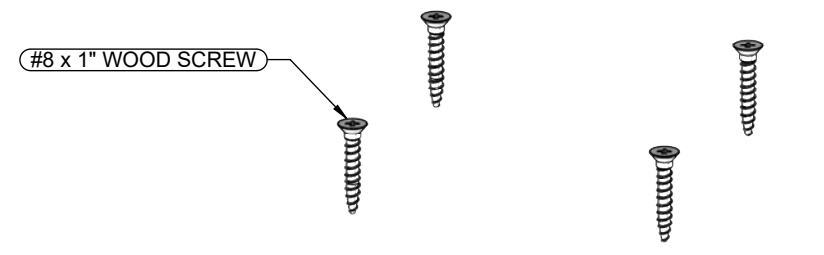
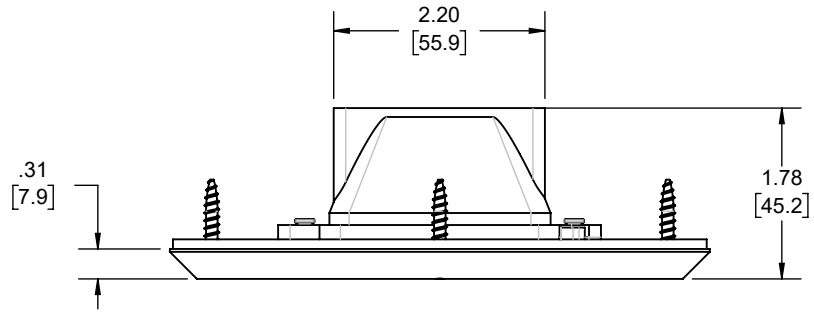


.XX DECIMAL ± .015
.XXX DECIMAL ± .005
ANGLE ± 2°

DRAWN BY:	JRM	SCALE:	SIZE:
APP. BY:	N.S.	1:4	A
DATE:	06-21-23		

- NOTES:
- ALL DIMENSIONS ARE IN INCHES AND [MILLIMETERS]
 - UL LISTED

REVISIONS			
REV.	DATE	DESCRIPTION	BY
-	06-23-23	INITIAL RELEASE	JRM



WOOD FLOOR DUPLEX FLOORBOX

GASKET

DESCRIPTION	MATERIAL	FINISH
FASTENERS	STEEL	GALVANIZED
GASKET	CC FOAM	BLACK
FLOORBOX COVER	ALUM	BLACK PAINT

LIST OF PARTS

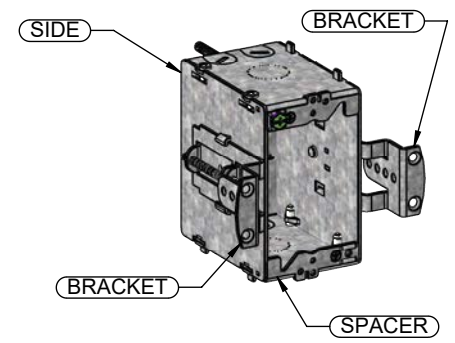
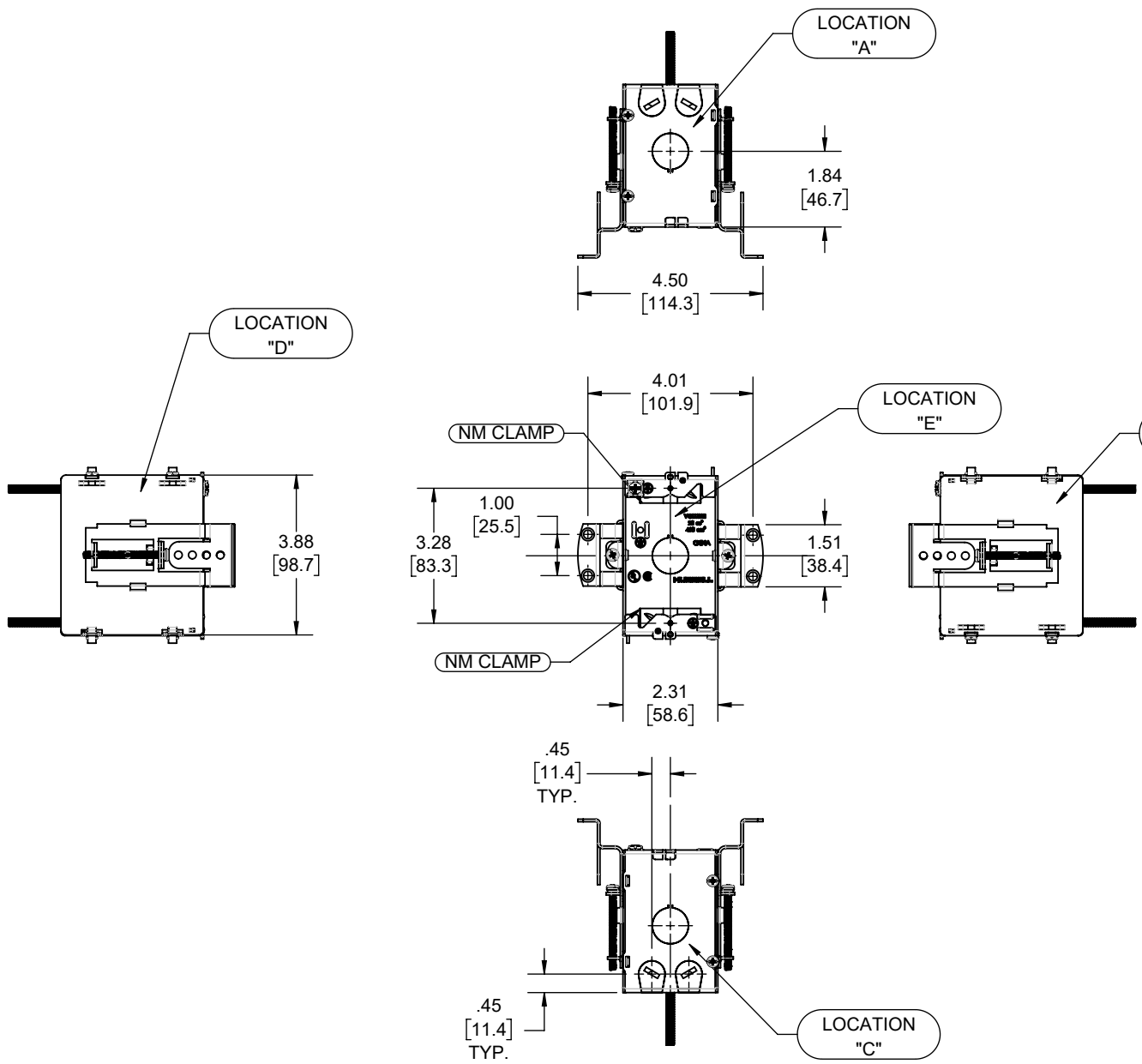
THE DESIGN AND DIMENSIONS OF THE PRODUCT SHOWN ON THIS DRAWING ARE SUBJECT TO CHANGE WITHOUT NOTICE

TITLE:
FLOOR BOX KIT, WOOD RESIDENTIAL, 15A, BLACK

TOLERANCE UNLESS OTHERWISE SPECIFIED .XX DECIMAL ± .015 .XXX DECIMAL ± .005 ANGLE ± 2°			SCALE: 1:4	SIZE: A
	DRAWN BY: JRM	APP. BY: N.S.		
	DATE: 06-21-23	SCALE: 1:4		

NOTES:
1. ALL DIMENSIONS ARE IN INCHES AND [MILLIMETERS]

REVISIONS			
REV.	DATE	DESCRIPTION	BY
-	06-23-23	INITIAL RELEASE	JRM



DESCRIPTION	MATERIAL	FINISH
BRACKETS	STEEL	GALVANIZED
FASTENERS	STEEL	GALVANIZED
CLAMPS	STEEL	GALVANIZED
SIDE	STEEL	GALVANIZED
SPACER	STEEL	GALVANIZED

LIST OF PARTS

THE DESIGN AND DIMENSIONS OF THE PRODUCT SHOWN ON THIS DRAWING ARE SUBJECT TO CHANGE WITHOUT NOTICE

TITLE:
FLOOR BOX KIT, WOOD RESIDENTIAL, 15A, BLACK

TOLERANCE UNLESS OTHERWISE SPECIFIED
.XX DECIMAL ± .015
.XXX DECIMAL ± .005
ANGLE ± 2°

DRAWN BY:	JRM	SCALE:	1:4
APP. BY:	N.S.		
DATE:	06-21-23		

KNOCKOUTS		
TRADE SIZE	LOCATION	QTY.
1/2" KO	A, C, E	1
PRIOUTS	A, C	2

- NOTES:
- ALL DIMENSIONS ARE IN INCHES AND [MILLIMETERS]
 - BOX VOLUME: 28.0 IN³ [460 CM³]
 - UL LISTED