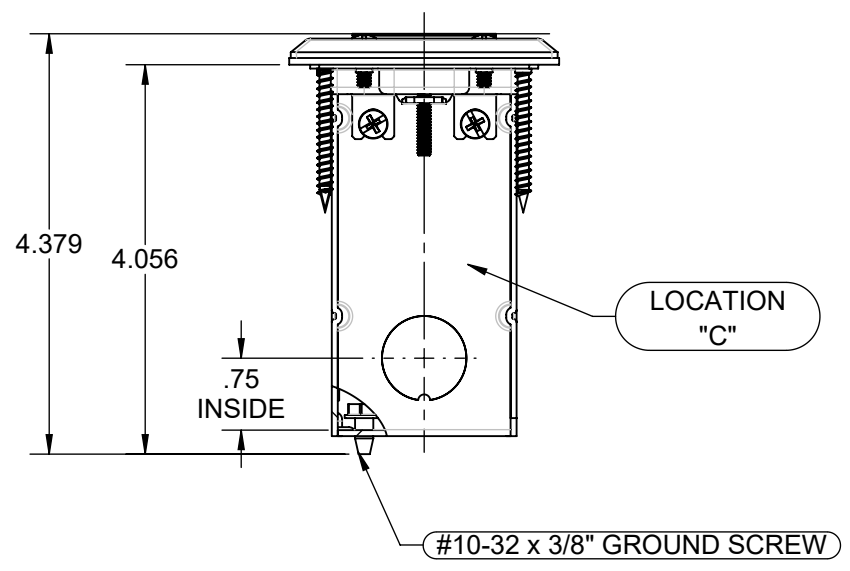
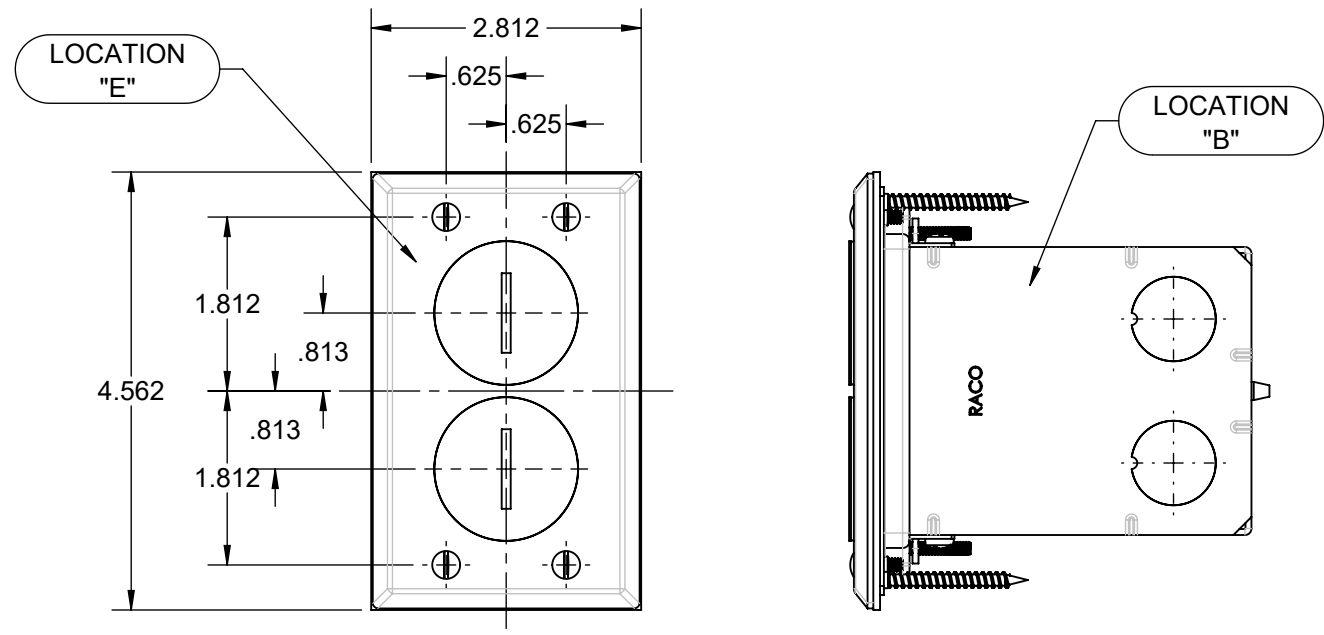
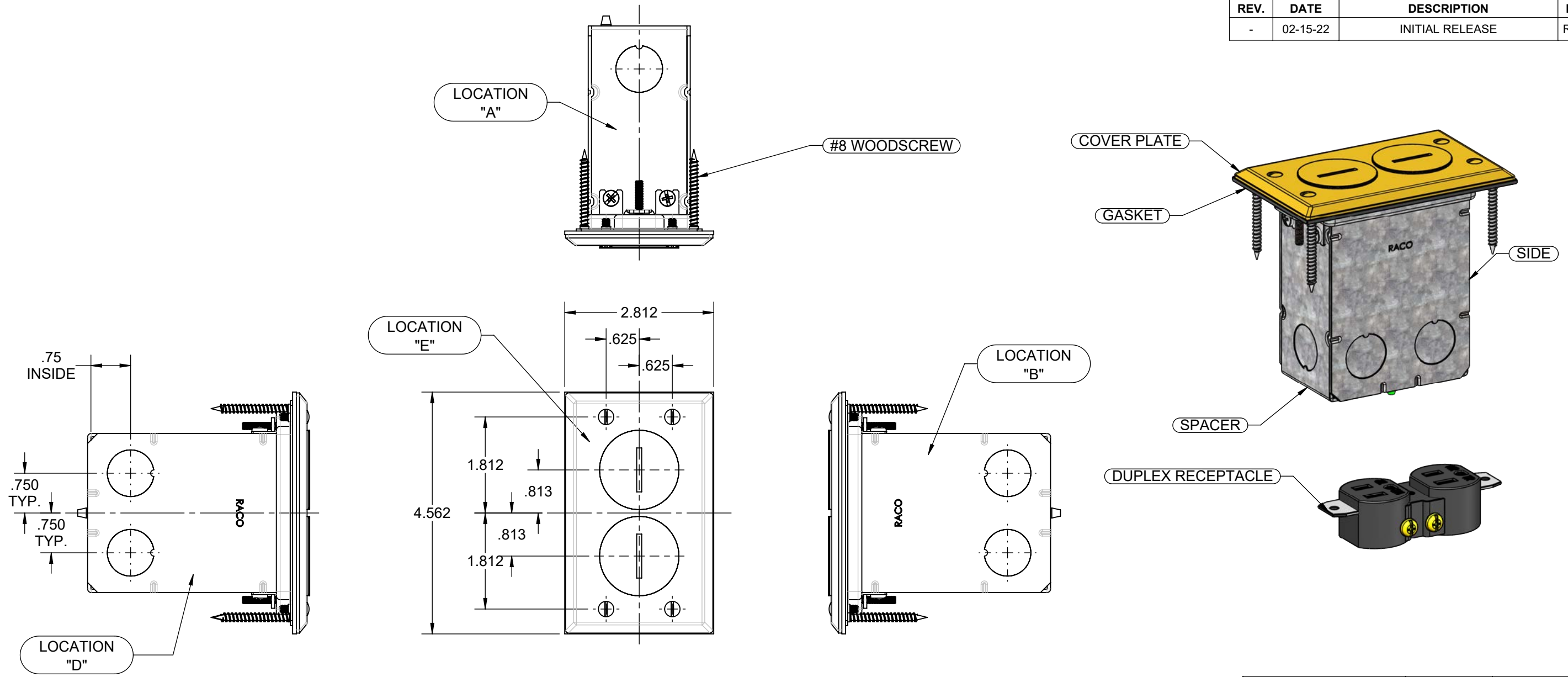


REVISIONS			
REV.	DATE	DESCRIPTION	BY:
-	02-15-22	INITIAL RELEASE	RMV



DESCRIPTION	MATERIAL	FINISH
DUPLEX RECEPT.	VARIOUS	N/A
COVER PLATE	BRASS	N/A
GASKET	NEOPRENE	N/A
FASTENERS	STEEL	GALVANIZED
SIDE	STEEL	GALVANIZED
SPACER	STEEL	GALVANIZED

**LIST OF PARTS**

THE DESIGN AND DIMENSIONS OF THE PRODUCT SHOWN ON THIS DRAWING ARE SUBJECT TO CHANGE WITHOUT NOTICE

TITLE: **Rectangular, Metallic Floor Box Kit - Brass Finish Cover Plate**

KNOCKOUTS		
TRADE SIZE	LOCATION	QTY.
1/2" KO	A, C	1
1/2" KO	B, D	2

TOLERANCE UNLESS OTHERWISE SPECIFIED .XX DECIMAL ±.015 .XXX DECIMAL ±.005 ANGLE ±2°			SCALE: SIZE:
	DRAWN BY: XXX	N.S.	1:2
	APP. BY: N.S.	DATE: XX-XX-XX	

NOTES:  
 1. ALL DIMENSIONS ARE IN INCHES AND [MILLIMETERS]  
 2. BOX VOLUME: 18.0 IN<sup>3</sup> [295.0 CM<sup>3</sup>]  
 3. cULus LISTED