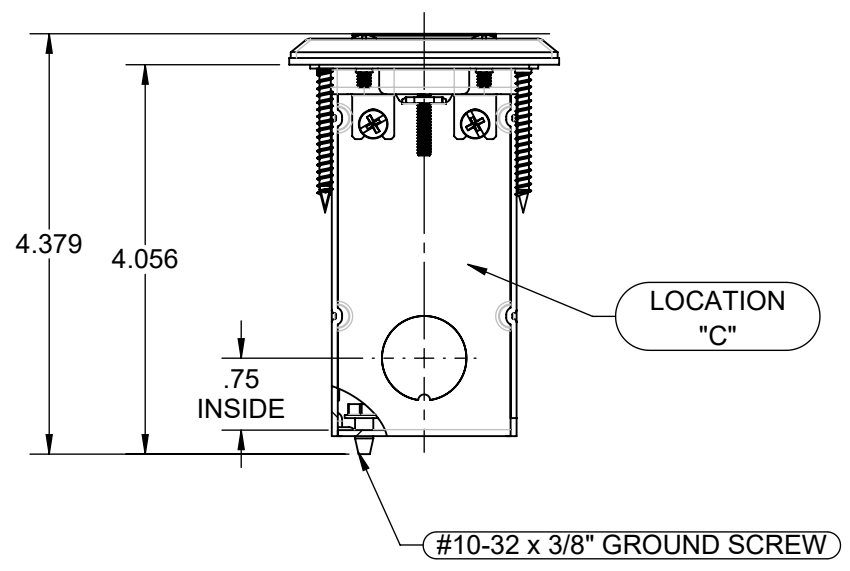
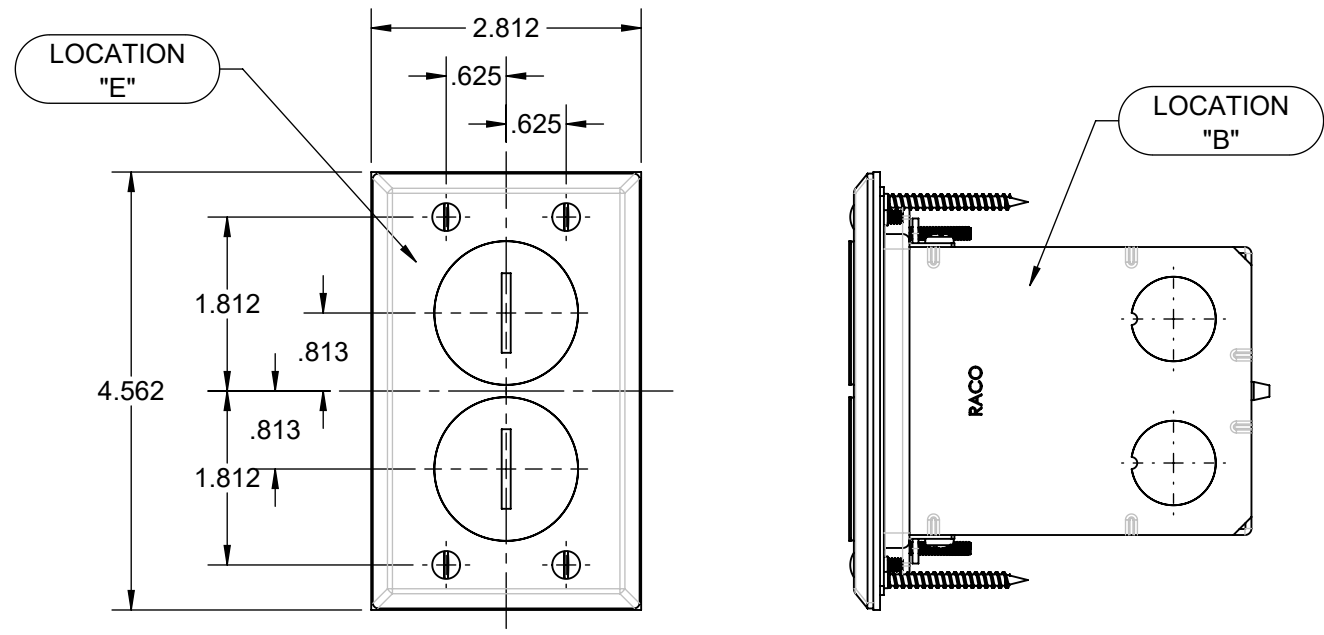
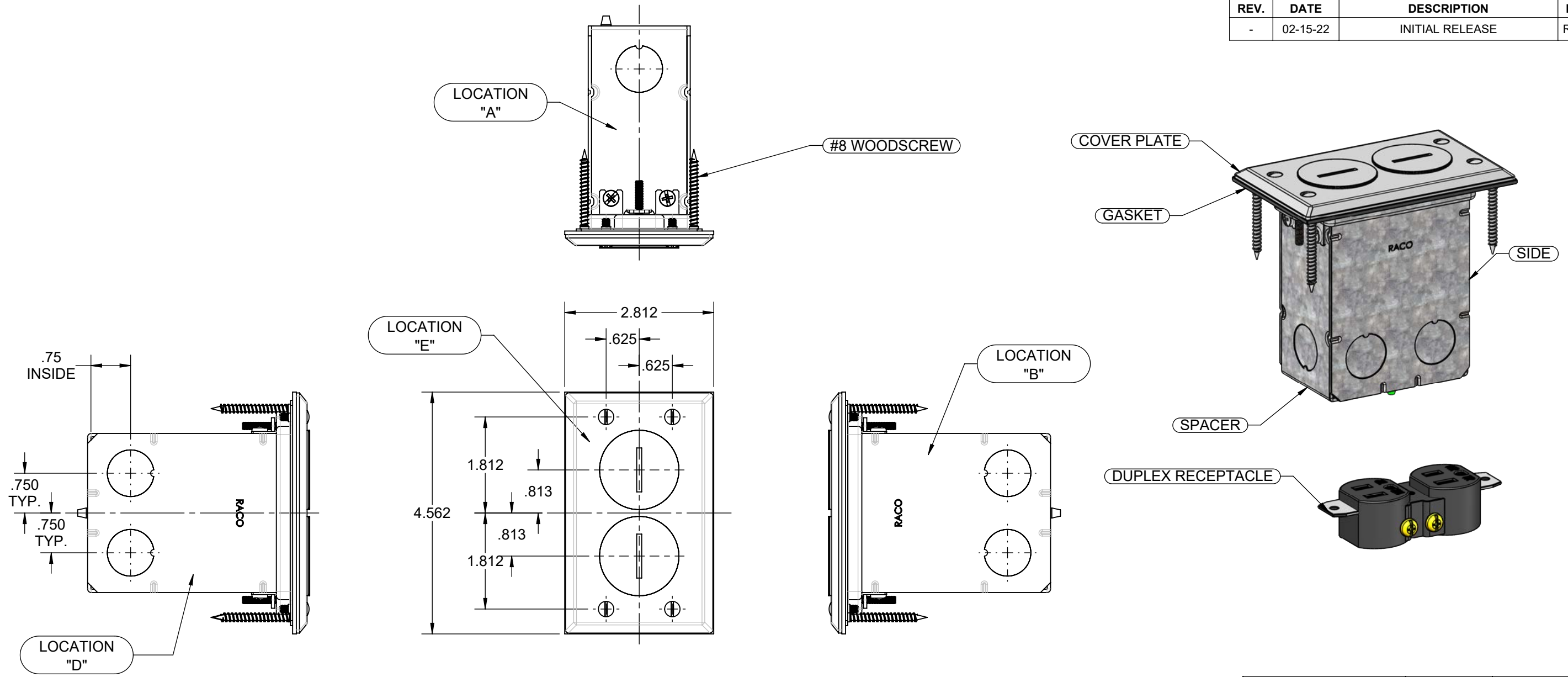


REVISIONS			
REV.	DATE	DESCRIPTION	BY:
-	02-15-22	INITIAL RELEASE	RMV

FILE NO.:
6500NI CUS



DESCRIPTION	MATERIAL	FINISH
DUPLEX RECEPT.	VARIOUS	N/A
COVER PLATE	NICKEL	N/A
GASKET	NEOPRENE	N/A
FASTENERS	STEEL	GALVANIZED
SIDE	STEEL	GALVANIZED
SPACER	STEEL	GALVANIZED

LIST OF PARTS

THE DESIGN AND DIMENSIONS OF THE PRODUCT SHOWN ON THIS DRAWING ARE SUBJECT TO CHANGE WITHOUT NOTICE

TITLE:
Rectangular, Metallic Floor Box Kit - Nickel Finish Cover Plate

KNOCKOUTS		
TRADE SIZE	LOCATION	QTY.
1/2" KO	A, C	1
1/2" KO	B, D	2

TOLERANCE UNLESS OTHERWISE SPECIFIED .XX DECIMAL ±.015 .XXX DECIMAL ±.005 ANGLE ±2°			SCALE:	SIZE:
	DRAWN BY:	XXX	1:2	B
	APP. BY:	N.S.		
DATE:	XX-XX-XX			

- NOTES:
1. ALL DIMENSIONS ARE IN INCHES AND [MILLIMETERS]
 2. BOX VOLUME: 18.0 IN³ [295.0 CM³]
 3. cULus LISTED

DIMENSION SHEET FOR CAT. NO.
6500NI

11/11